



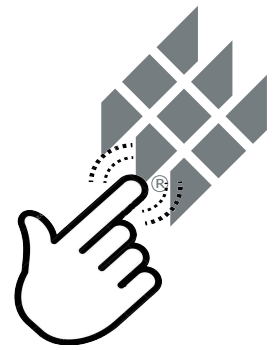
Secure into the future

PRODUCT RANGE

Datasheets



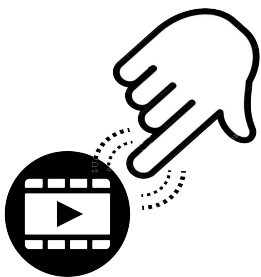
Guide to this Interactive PDF



Click on the MEISER logo anywhere
to view our Company Profile



Each Data Sheet allows
direct access to the product
certificate, drawing,
brochure and video at the
click of a button.



The button of the first page opens
our corporate video.



The last page contains
more links to our social
media pages

Click here in any
page to visit our
website



Table of Contents



Single sided guardrails
with containment level N2 to H4b

1

Single-sided systems

Double-sided systems

2

Double sided steel guardrails
with containment level N2 to H4b

Single sided steel parapets for
bridges and other structures

3

**Single-sided systems
for bridges**

**Double-sided systems
for bridges**

4

Double sided steel parapets for
bridges and other structures

Road restraint opening systems
for central reserve crossings

5

Median barrier gates

**Wood-steel road
guardrails**

6

Mixed wood and steel guardrails
with containment level N2 to H1

Mobile steel safety barriers for traffic
and safeguards work locations

7

Temporary systems

**End treatments and
special systems**

8

Road barrier end terminals and
special traffic solutions



Single-sided systems



Single sided steel guardrails with containment level N2 to H4b

N2	W1	B	ESP PLUS W1	
	W2	A	Easy Rail 1.33	
		A	Easy Rail 3N 1.50	
		A	Easy Rail XS 1.33	
		A	EURO GS 1.33	
		A	HBB 1.33	
		A	HBB 1.33 Plus	
		A	HLK 1.33	
		A	HLK 1.33 Plus	
		A	MDB L 2.0	
		A	Novo Rail L1 2.66	
		A	SUPER-RAIL ES 1.0	
		A	SUPER-RAIL ES 1.33	
		B	Easy Rail 3N DS 0.75	
		B	Easy Rail 3N DS 0.75 MUF	
		B	Easy Rail 3N DS 1.50	
		B	Easy Rail 3N DS 1.50 MUF	
		W3	A	Easy Rail 2.00
	A		Easy Rail XS 2.00	
	A		Eco-Safe 1.33	
	A		Novo Rail L1 4.00	




N2	W3	A	Eco-Safe 2.0
		A	Eco-Safe MPS
		A	EURO GS 2.0
		A	HBB 2.0 b
		A	HBB 2.0 Plus
		A	HLK 2.0 b
		A	HLK 2.0 Plus
		A	MDB L 3.0
		B	Easy Rail 3N 0.75
		B	ESP BOS
	W4	A	Easy Rail 4.00
		A	Easy Rail XS 4.00
		A	ESP 2.0
		A	ESP 2.0 PLUS
		A	EURO GS 4.0
		A	EURO GS 6.0
		A	GS2 P
		A	HBB 2.0
		A	HBB 4.0 Plus
A		HLK 2.0	
A	HLK 4.0 Plus		
A	MDB L 4.0		
A	SUPER-RAIL Eco		



N2	W4	B	SUPER-RAIL Eco 1A	
	W5	A	Easy Rail 6.00	
		A	Eco Safe 4.0	
		A	ESP 4.0	
		A	ESP 4.0 Moto	
		A	GS4 P	
		A	HBB 4.0	
		A	HBB 6.0 Plus AF-HLK	
		A	HLK 4.0	
		A	MGS 2.0	
		W6	A	MGS 4.0
H1	W2	A	SUPER-RAIL ES 1.0	
		A	Novo Rail L1 1.33	
	W3	A	Easy Rail 1.33	
		A	Easy Rail XS 1.33	
		A	Eco Safe 1.33	
		A	HBB 1.33 Plus	
		A	HLK 1.33 Plus	
		A	MDB L 2.0	
		A	Novo Rail L1 2.66	
	W4	A	Easy Rail 2.00	
		A	Easy Rail XS 2.00	
		A	Eco-Safe 2.0	
		A	EDSP 1.33	
		A	HBB 1.33	



H1	W4	A	HLK 1.33	
		A	HBB 2.0 Plus	
		A	HLK 2.0 Plus	
		A	MDB L 3.0	
		A	MDB L 4.0	
		A	SUPER-RAIL ES 1.33	
		A	Novo Rail L1 4.00	
	W5	A	Easy Rail OBB 2.0	
		A	EDSP 2.0	
H2	W2	B	Easy Rail 3N DS 0.75	
		B	Easy Rail 3N DS 0.75 MUF	
		B	SUPER-RAIL Eco HS	
	W3	B	Easy Rail 3N 0.75	
		B	SUPER-RAIL VZB	
	W4	A	Easy Rail 3N 1.50	
		A	SUPER-RAIL	
		B	Easy Rail 3N DS 1.50	
		B	Easy Rail 3N DS 1.50 MUF	
		B	MTB 1.33	
		A	SUPER-RAIL Eco	
		B	SUPER-RAIL Eco 1A	
		W5	A	MTB 2.25
	A		MTB 2.66	
	H4b	W4	B	Easy Rail 3N PLUS DS 0.75
W7		A	SUPER-RAIL	





Double-sided systems

Double sided steel guardrails with containment level N2 to H4b

N2	W1	B	Easy Rail 3N PLUS DS 0.75
	W2	B	Easy Rail 3N DS 0.75
		B	Easy Rail 3N DS 0.75 MUF
		B	Easy Rail 3N DS 1.50
		B	Easy Rail 3N DS 1.50 MUF
	W3	B	SUPER-RAIL Eco double
	W4	B	SUPER-RAIL double
H1	W6	A	DDSP 4.00
H2	W2	B	Easy Rail 3N DS 0.75
		B	Easy Rail 3N DS 0.75 MUF
	W3	B	SUPER-RAIL VZB twofold
	W4	A	SUPER-RAIL twofold
		B	Easy Rail 3N DS 1.50
		B	Easy Rail 3N DS 1.50 MUF
		B	SUPER-RAIL double
		B	SUPER-RAIL Eco double
	W5	A	P13
	W6	A	DDSP 2.0++
H4b	W4	B	Easy Rail 3N PLUS DS 0.75
	W5	B	SUPER-RAIL DS H4b
	W7	A	SUPER-RAIL twofold





Single-sided systems for bridges

Single sided steel parapets for bridges and other structures

N2	W1	A	Eco-Safe BW
	W2	B	Easy Rail 3N OS 0.75
		B	Easy Rail 3N OS 1.50
		B	Easy Rail 3N DS OS 0.75
W3	A	Euro GS-P	
H1	W2	A	Eco-Safe BW
		A	HBB 1.33 BW
		A	HLK 1.33 BW
	W4	B	Easy Rail 1.33 OS
	W5	A	EDSP BW 1.33
H2	W1	B	SUPER-RAIL Eco HS BW
	W3	B	Easy Rail 3N OS 0.75
		C	EURO BN H2
		C	EURO BN H2 with fence
		A	SUPER-RAIL Eco BW
	W4	B	Easy Rail 3N OS 1.50
		B	SUPER-RAIL BW
		C	SAFETY RAIL
H4b	W2	B	SUPER-RAIL Pro BW
	W3	B	Easy Rail Plus DS OS 0.75



Double-sided systems for bridges

Double sided steel parapets for bridges and other structures

N2	W2	B	Easy Rail 3N DS OS 0.75
H2	W2	B	Easy Rail 3N DS OS 0.75
	W4	A	SUPER-RAIL Eco double BW
		B	SUPER-RAIL double BW
H4b	W3	B	Easy Rail Plus DS OS 0.75
	W6	B	SUPER-RAIL Plus BW twofold
		B	SUPER-RAIL Plus BW with rail





Median barrier gates

Road restraint opening systems for central reserve crossings

H1	W5	B	SOLO-GUARD
H2	W3	C	DUO-GATE double
		C	DUO-GATE double, single arm
	W5	B	VARIO-GUARD MUF
	W7	B	GATE-GUARD
	W8	B	GATE-GUARD QC





Wood-steel road guardrails

Mixed wood and steel guardrails with containment level N2 to H1


N2	W2	A	Passion 1.33
	W3	A	Passion 2.0
	W4	A	Passion 4.0
	W5	A	MB2 2.0
	W6	A	MB1
	W7	A	MB2 4.0
H1	W2	A	Passion 1.0
	W3	A	Passion 1.33
	W4	A	Passion 2.0
		A	Passion 1.33 BW





Temporary systems

Mobile steel safety barriers for traffic and safeguards work locations



T1	W2	A	DUO-RAIL K	
		A	DUO-RAIL KB	
	W3	A	MINI-GUARD	
T2	W3	A	DUO-RAIL K	
	W5	A	MINI-GUARD	
T3	W1	A	CONFICO 50	
	W3	A	CONFICO 50+ (with fence)	
	W4	A	DUO-RAIL K	
		A	DUO-RAIL KB	
		B	VARIO-GUARD	
W6	A	MINI-GUARD		
N2	W4	B	DUO-RAIL KAB	
	W6	B	VARIO-GUARD	
		B	VARIO-GUARD QC	
H1	W4	A	CONFICO 50	
	W5	B	DUO-RAIL KAB	
	W6	B	DUO-RAIL KA	
		B	VARIO-GUARD	
H2	W3	B	DUO-RAIL KAV	
	W6	B	VARIO-GUARD 2.0	
	W7	B	DUO-RAIL KAB	
	W8	B	VARIO-GUARD QC	





End treatments and special systems

Road barrier end terminals and special traffic solutions

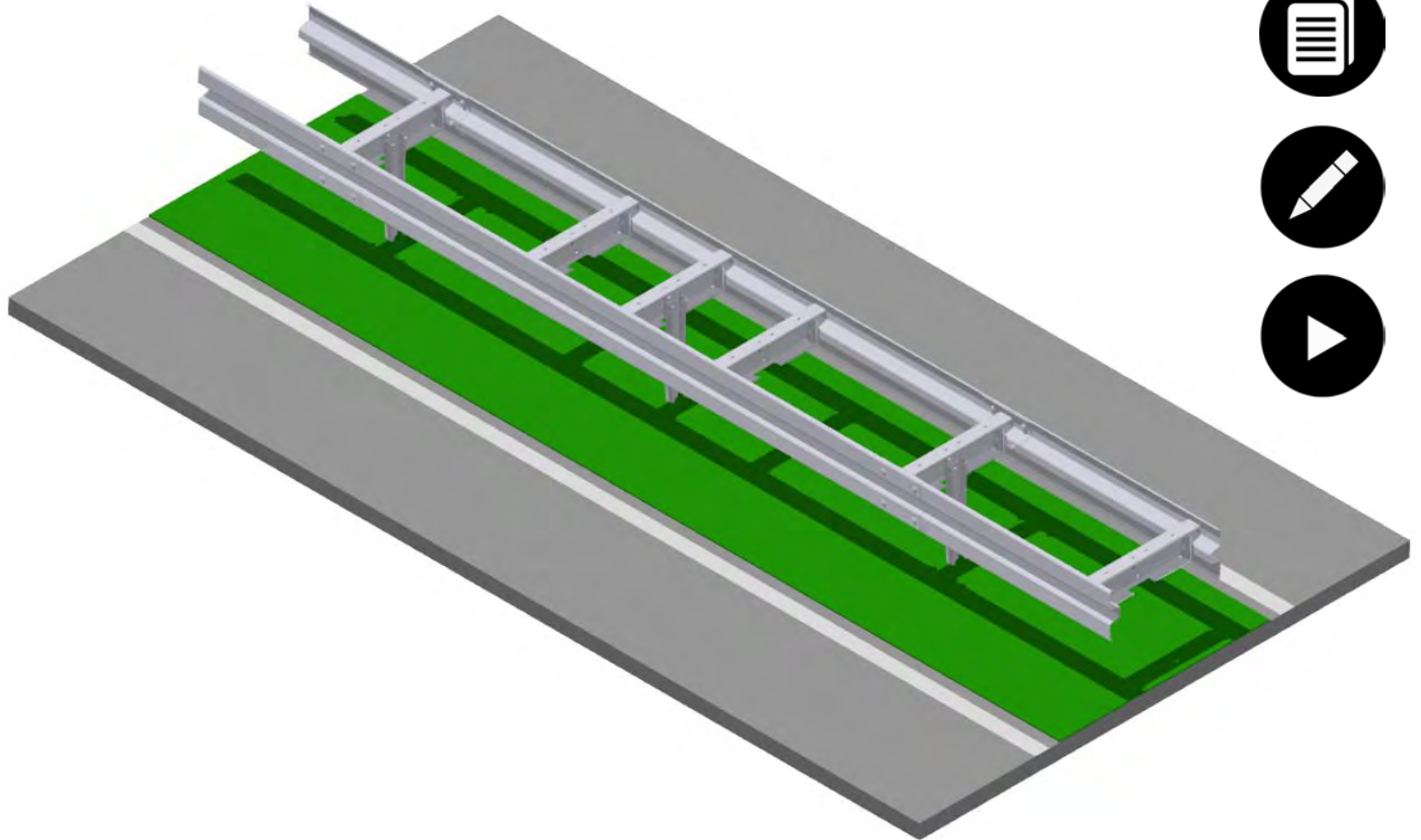
PROTECTOR M	End Terminal P2A class	
PROTECTOR BOS	Non-continuous barrier system N2 W5 A	
PROTECTOR 90	Special intersection solution (EMS)	
OTTAVIA 80	End Terminal P2 class	
OTTAVIA 110	End Terminal P4 class	



DDSP 2.0++

Steel road guardrail

H2 W6 A



Performances

Containment level	H2
Normalized working width (m)	1,90
Class of normalized working width	W6
Acceleration Severity Index (ASI)	A
Normalized dynamic deflection (m)	1,70
Vehicle Intrusion (VI)	2,1
THIV (Km/h)	25
Tested length (m)	80,00
CE certificate number	0531-CPR-1317-2299

Geometrical characteristics

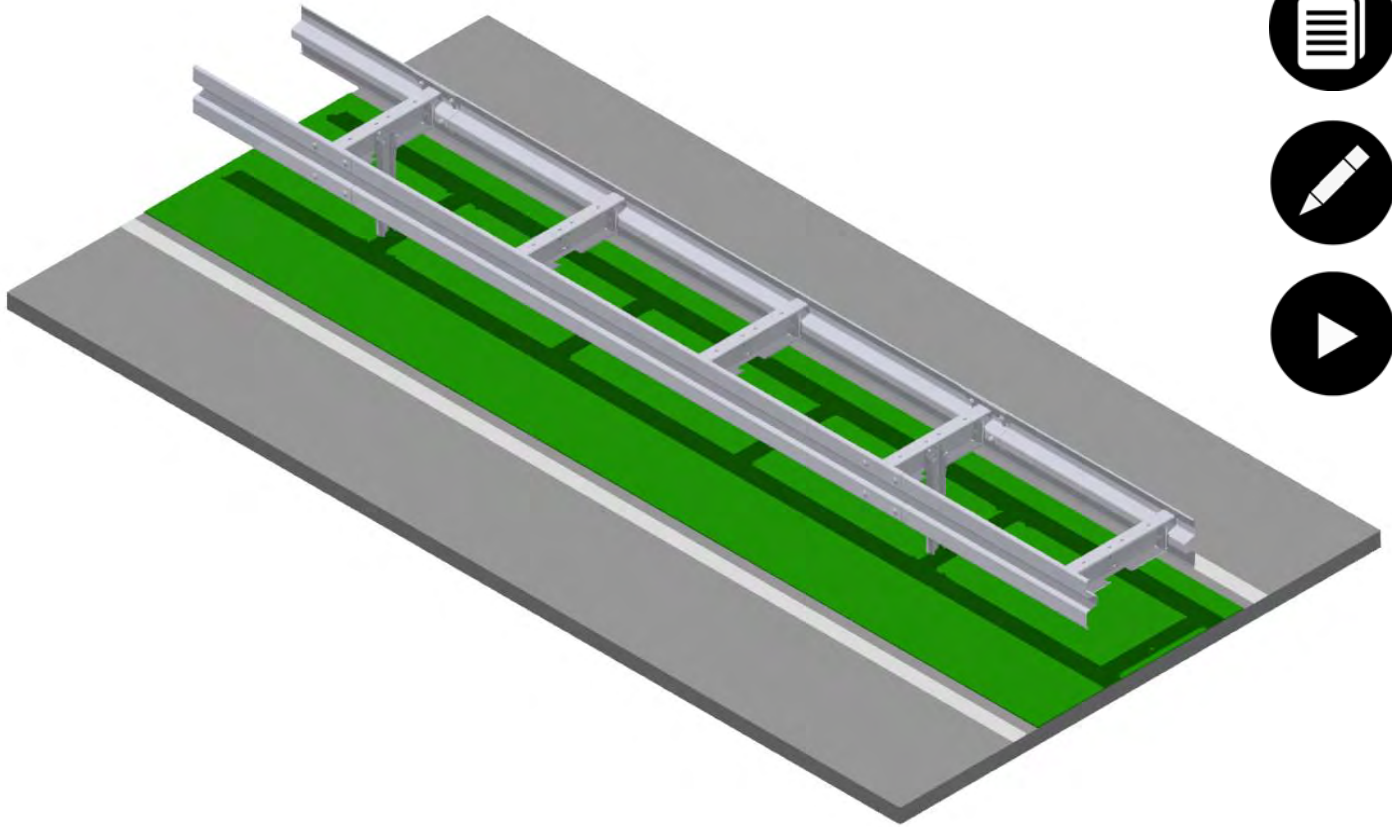
Application	Rammed
Type	Double
Construction width (m)	0,8
Construction height (m)	0,75
Beam shape	A/B
Post shape	Sigma
Post distance (m)	2,00
Post length (m)	1,90
Loading capacity (m)	508,00



DDSP 4.00

Steel road guardrail

H1 W6 A



Performances

Containment level	H1
Normalized working width (m)	1,90
Class of normalized working width	W6
Acceleration Severity Index (ASI)	A
Normalized dynamic deflection (m)	1,6 (A) 1,8 (B)
Vehicle Intrusion (VI)	2,1
THIV (Km/h)	20
Tested length (m)	60,00
CE certificate number	0531-CPR-1317-2298

Geometrical characteristics

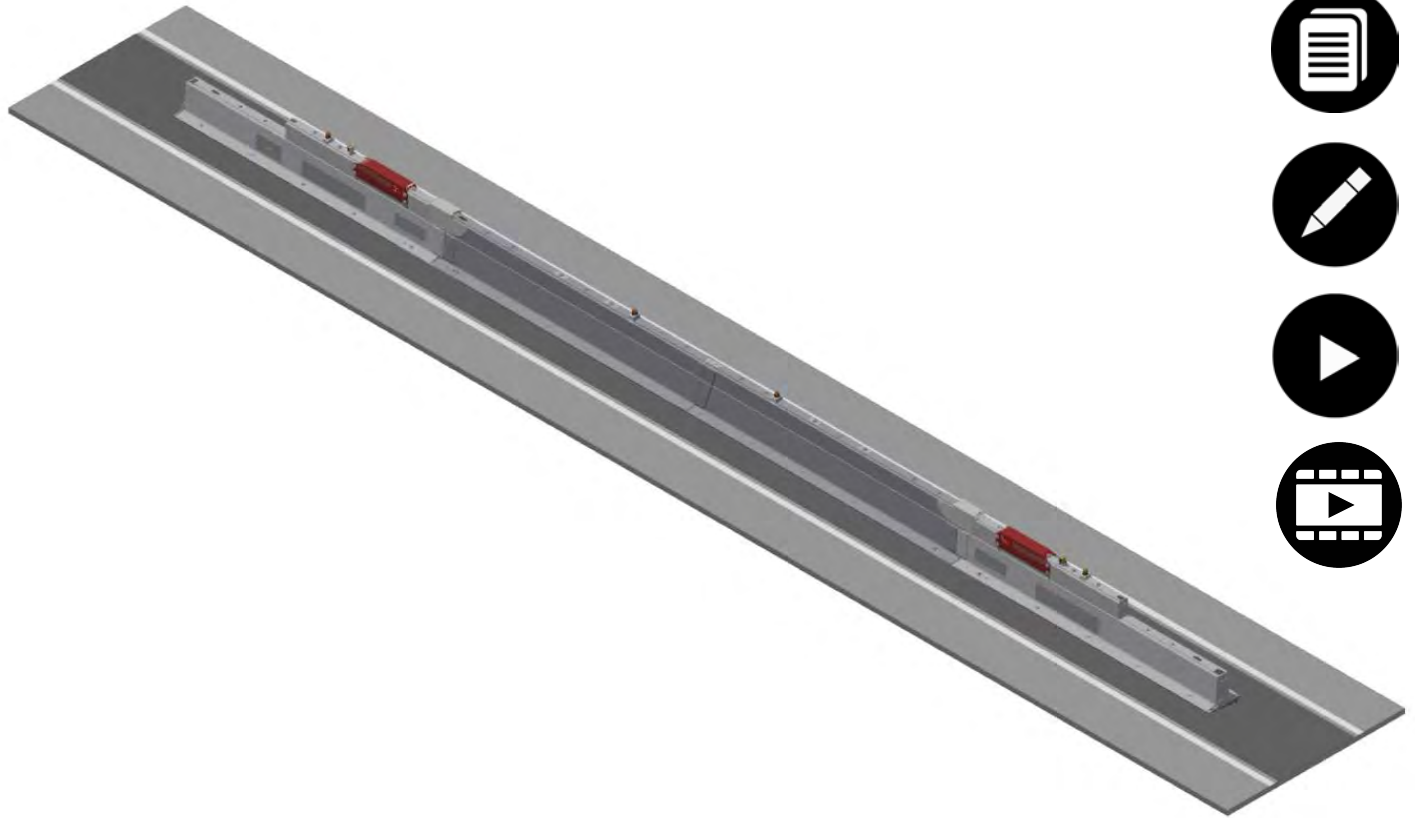
Application	Rammed
Type	Double
Construction width (m)	0,8
Construction height (m)	0,75
Beam shape	A/B
Post shape	Sigma
Post distance (m)	4,00
Post length (m)	1,90
Loading capacity (m)	596,00



DUO-GATE double

Steel road guardrail

H2 W3 C



Performances

Containment level	H2
Normalized working width (m)	1,00
Class of normalized working width	W3
Acceleration Severity Index (ASI)	C
Normalized dynamic deflection (m)	0,40
Vehicle Intrusion (VI)	-
THIV (Km/h)	31
Tested length (m)	20,30
CE certificate number	2251-CPR-0185

Geometrical characteristics

Application	Opening system
Type	Double
Construction width (m)	0,608
Construction height (m)	0,80
Beam shape	-
Post shape	-
Post distance (m)	-
Post length (m)	-
Loading capacity (m)	-



DUO-GATE double, single arm

Steel road guardrail

H2 W3 C



Performances

Containment level	H2
Normalized working width (m)	1,00
Class of normalized working width	W3
Acceleration Severity Index (ASI)	C
Normalized dynamic deflection (m)	0,40
Vehicle Intrusion (VI)	-
THIV (Km/h)	31
Tested length (m)	22,30
CE certificate number	2251-CPR-0185

Geometrical characteristics

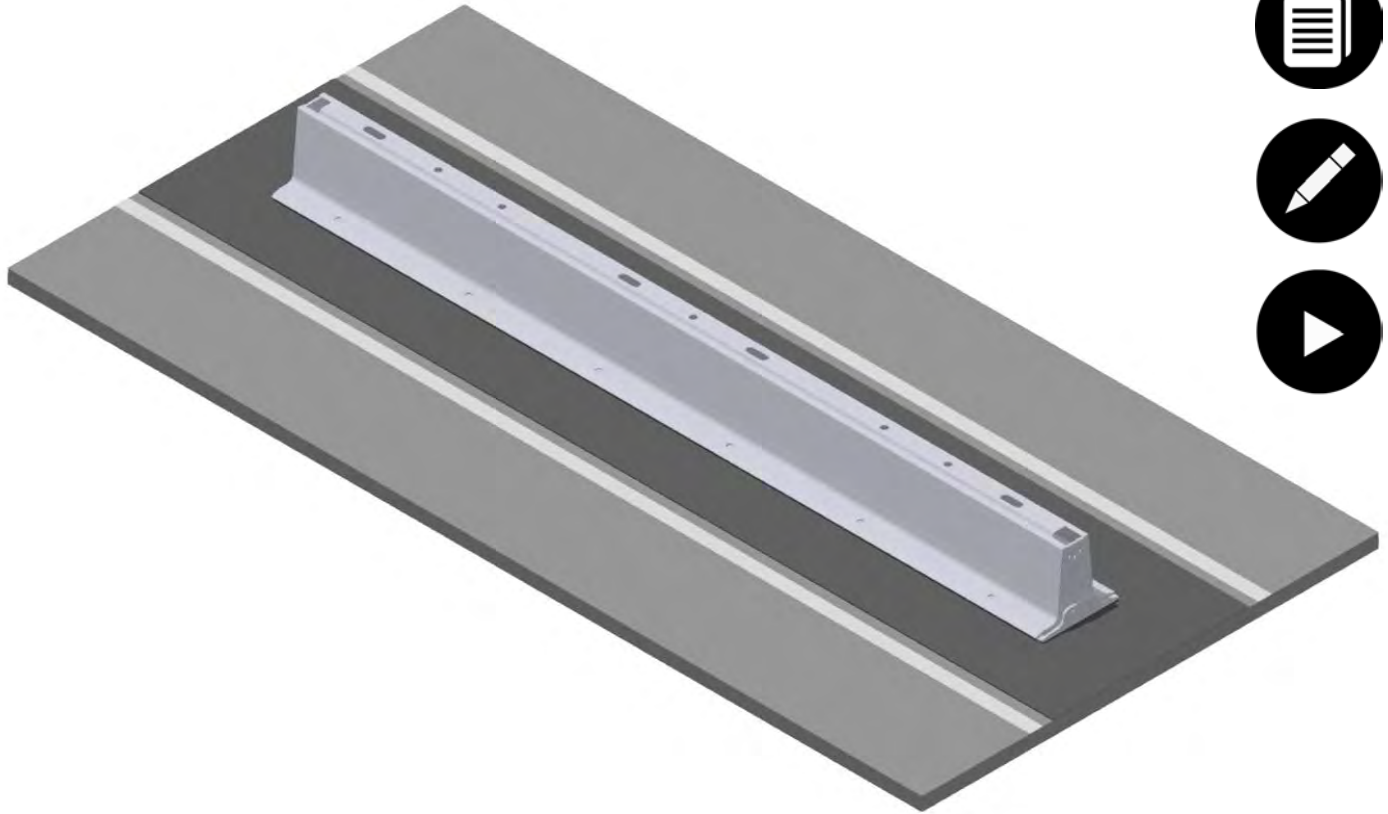
Application	Opening system
Type	Double
Construction width (m)	0,608
Construction height (m)	0,86
Beam shape	-
Post shape	-
Post distance (m)	-
Post length (m)	-
Loading capacity (m)	-



DUO-RAIL K

Steel road guardrail

T1 W2 A



Performances

Containment level	T1
Normalized working width (m)	0,80
Class of normalized working width	W2
Acceleration Severity Index (ASI)	A
Normalized dynamic deflection (m)	0,20
Vehicle Intrusion (VI)	-
THIV (Km/h)	10
Tested length (m)	117,00
CE certificate number	-

Geometrical characteristics

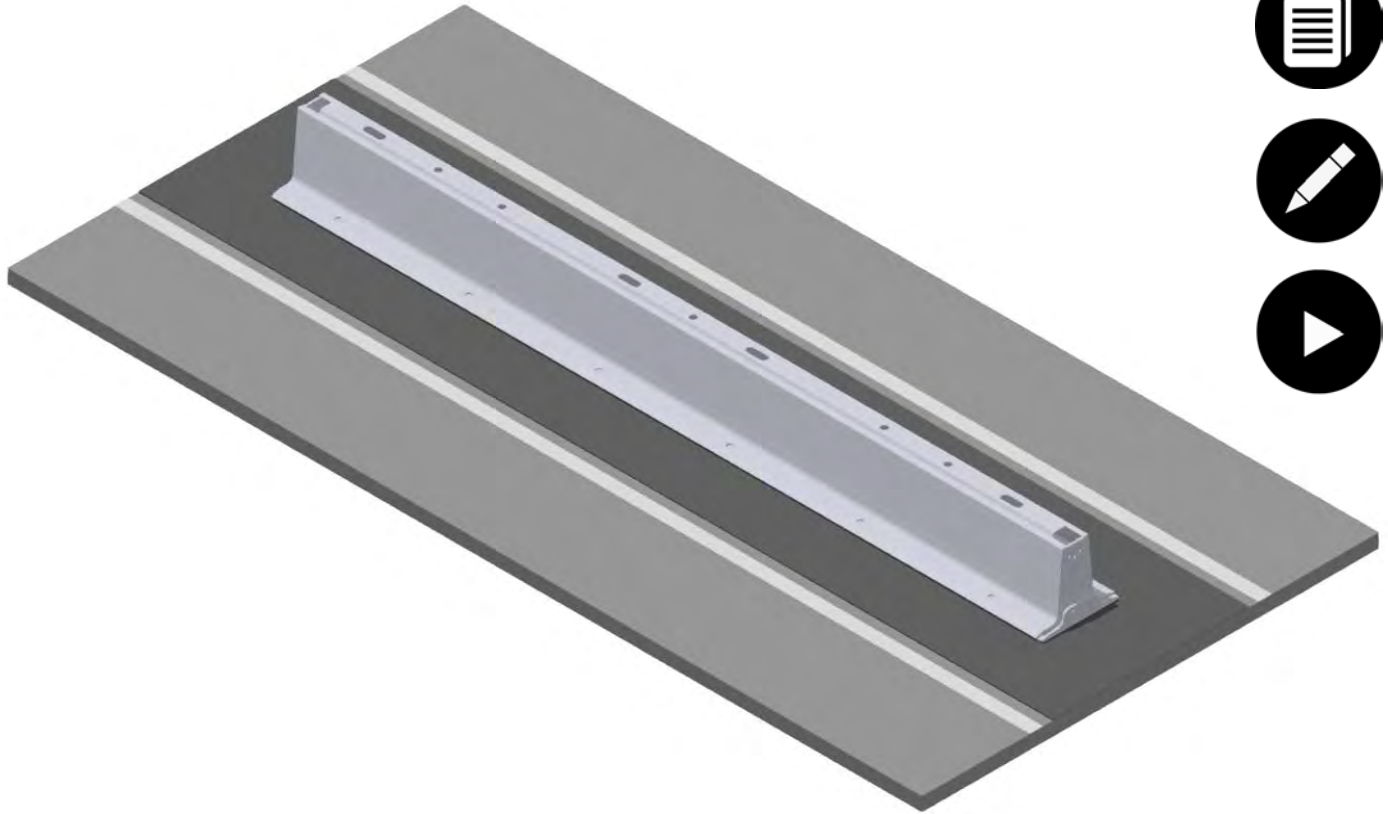
Application	Temporary system
Type	Double
Construction width (m)	0,61
Construction height (m)	0,54
Beam shape	-
Post shape	-
Post distance (m)	-
Post length (m)	-
Loading capacity (m)	245,70



DUO-RAIL K

Steel road guardrail

T2 W3 A



Performances

Containment level	T2
Normalized working width (m)	1,00
Class of normalized working width	W3
Acceleration Severity Index (ASI)	A
Normalized dynamic deflection (m)	0,40
Vehicle Intrusion (VI)	-
THIV (Km/h)	13
Tested length (m)	134,55
CE certificate number	-

Geometrical characteristics

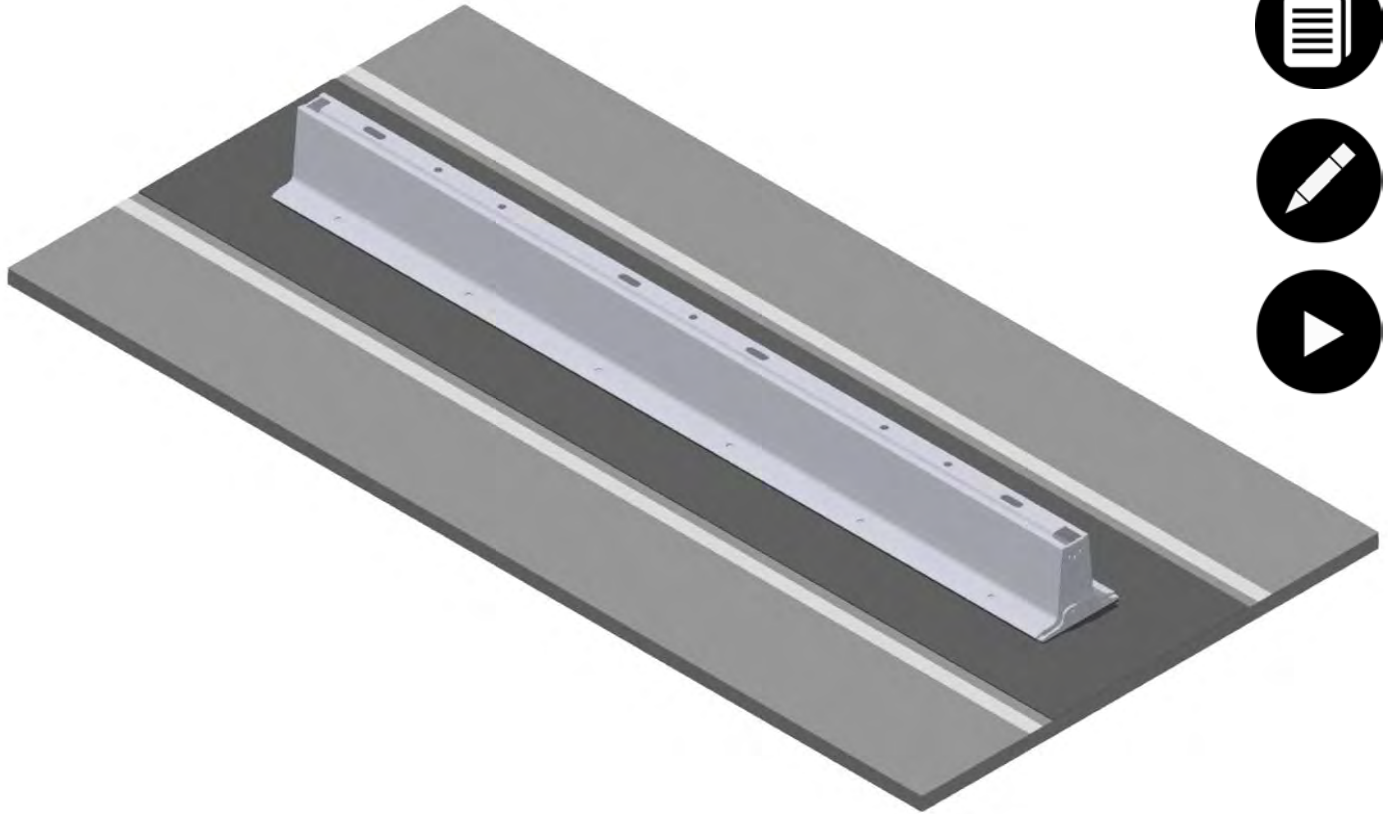
Application	Temporary system
Type	Double
Construction width (m)	0,61
Construction height (m)	0,54
Beam shape	-
Post shape	-
Post distance (m)	-
Post length (m)	-
Loading capacity (m)	245,70



DUO-RAIL K

Steel road guardrail

T3 W4 A



Performances

Containment level	T3
Normalized working width (m)	1,10
Class of normalized working width	W4
Acceleration Severity Index (ASI)	A
Normalized dynamic deflection (m)	0,50
Vehicle Intrusion (VI)	-
THIV (Km/h)	10
Tested length (m)	140,40
CE certificate number	-

Geometrical characteristics

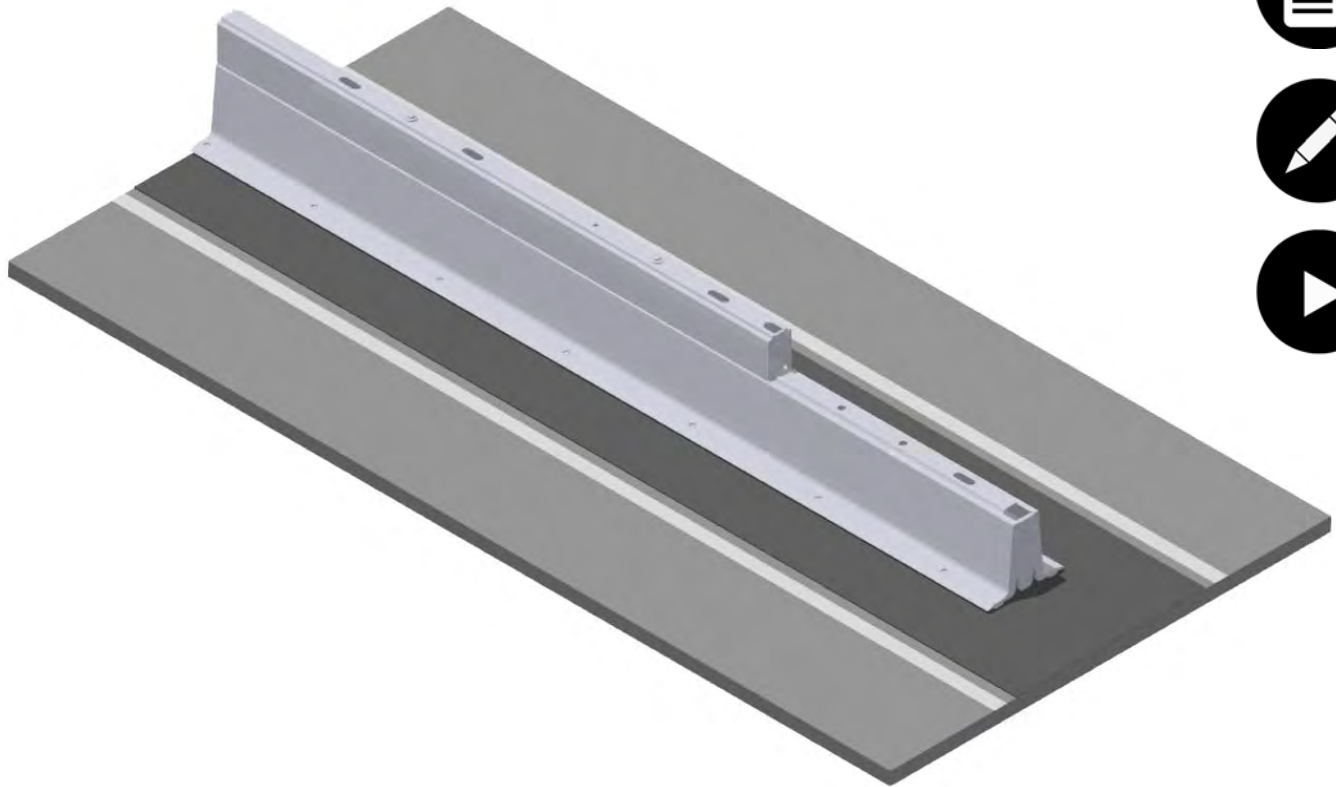
Application	Temporary system
Type	Double
Construction width (m)	0,61
Construction height (m)	0,54
Beam shape	-
Post shape	-
Post distance (m)	-
Post length (m)	-
Loading capacity (m)	245,70



DUO-RAIL KA

Steel road guardrail

H1 W6 B



Performances

Containment level	H1
Normalized working width (m)	2,05
Class of normalized working width	W6
Acceleration Severity Index (ASI)	B
Normalized dynamic deflection (m)	1,45
Vehicle Intrusion (VI)	-
THIV (Km/h)	23
Tested length (m)	140,40
CE certificate number	2251-CPR-0182

Geometrical characteristics

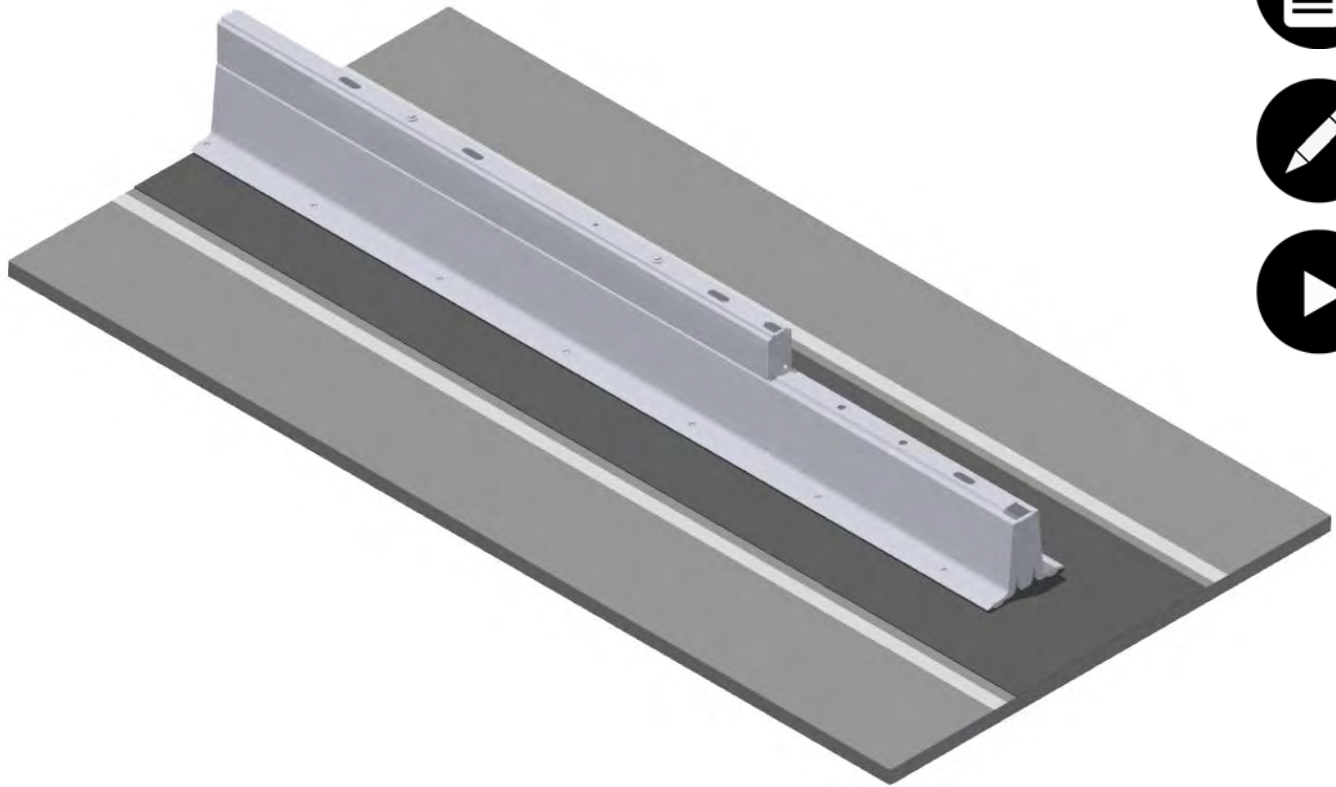
Application	Temporary/permanent
Type	Double
Construction width (m)	0,608
Construction height (m)	0,85
Beam shape	-
Post shape	-
Post distance (m)	-
Post length (m)	-
Loading capacity (m)	245,70



DUO-RAIL KAB

Steel road guardrail

N2 W4 B



Performances

Containment level	N2
Normalized working width (m)	1,30
Class of normalized working width	W4
Acceleration Severity Index (ASI)	B
Normalized dynamic deflection (m)	1,80
Vehicle Intrusion (VI)	-
THIV (Km/h)	23
Tested length (m)	140,50
CE certificate number	2251-CPR-0182

Geometrical characteristics

Application	Temporary/permanent
Type	Double
Construction width (m)	0,61
Construction height (m)	0,85
Beam shape	-
Post shape	-
Post distance (m)	-
Post length (m)	-
Loading capacity (m)	134,55



DUO-RAIL KAB

Steel road guardrail

H1 W5 B



Performances

Containment level	H1
Normalized working width (m)	1,60
Class of normalized working width	W5
Acceleration Severity Index (ASI)	B
Normalized dynamic deflection (m)	1,00
Vehicle Intrusion (VI)	1,6
THIV (Km/h)	23
Tested length (m)	140,50
CE certificate number	2251-CPR-0182

Geometrical characteristics

Application	Temporary/permanent
Type	Double
Construction width (m)	0,61
Construction height (m)	0,85
Beam shape	-
Post shape	-
Post distance (m)	-
Post length (m)	-
Loading capacity (m)	134,55



DUO-RAIL KAB

Steel road guardrail

H2 W7 B



Performances

Containment level	H2
Normalized working width (m)	2,40
Class of normalized working width	W7
Acceleration Severity Index (ASI)	B
Normalized dynamic deflection (m)	1,80
Vehicle Intrusion (VI)	2,2
THIV (Km/h)	23
Tested length (m)	163,80
CE certificate number	2251-CPR-0182

Geometrical characteristics

Application	Temporary/permanent
Type	Double
Construction width (m)	0,61
Construction height (m)	0,85
Beam shape	-
Post shape	-
Post distance (m)	-
Post length (m)	-
Loading capacity (m)	134,55



DUO-RAIL KAV

Steel road guardrail

H2 W3 B



Performances

Containment level	H2
Normalized working width (m)	0,90
Class of normalized working width	W3
Acceleration Severity Index (ASI)	B
Normalized dynamic deflection (m)	0,80
Vehicle Intrusion (VI)	-
THIV (Km/h)	33
Tested length (m)	82,00
CE certificate number	2251-CPR-0182

Geometrical characteristics

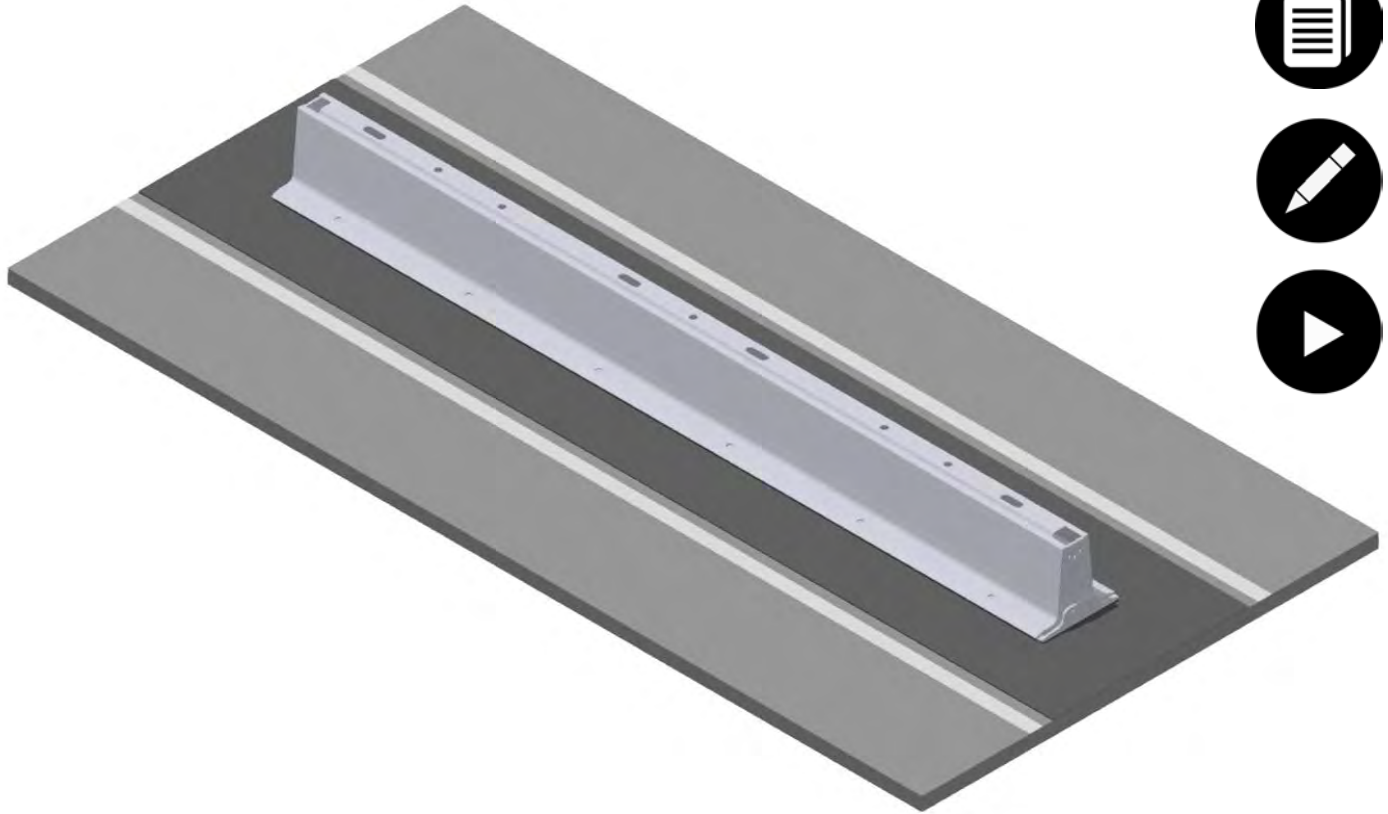
Application	Temporary/permanent
Type	Double
Construction width (m)	0,608
Construction height (m)	0,85
Beam shape	-
Post shape	-
Post distance (m)	-
Post length (m)	-
Loading capacity (m)	245,70



DUO-RAIL KB

Steel road guardrail

T1 W2 A



Performances

Containment level	T1
Normalized working width (m)	0,70
Class of normalized working width	W2
Acceleration Severity Index (ASI)	A
Normalized dynamic deflection (m)	0,10
Vehicle Intrusion (VI)	-
THIV (Km/h)	10
Tested length (m)	134,55
CE certificate number	-

Geometrical characteristics

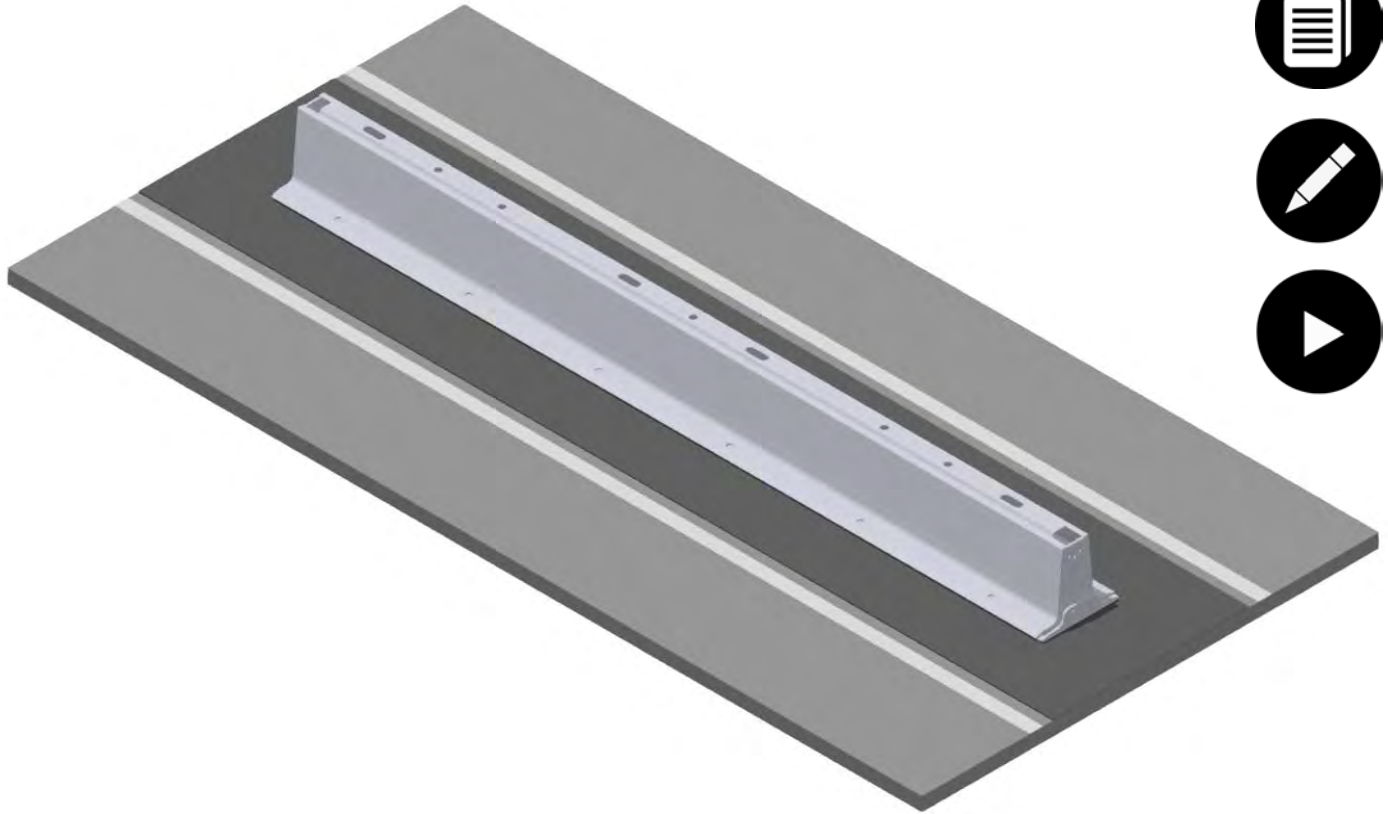
Application	Temporary system
Type	Double
Construction width (m)	0,6
Construction height (m)	0,54
Beam shape	-
Post shape	-
Post distance (m)	-
Post length (m)	-
Loading capacity (m)	-



DUO-RAIL KB

Steel road guardrail

T3 W4 A



Performances

Containment level	T3
Normalized working width (m)	1,20
Class of normalized working width	W4
Acceleration Severity Index (ASI)	A
Normalized dynamic deflection (m)	0,50
Vehicle Intrusion (VI)	-
THIV (Km/h)	10
Tested length (m)	134,55
CE certificate number	-

Geometrical characteristics

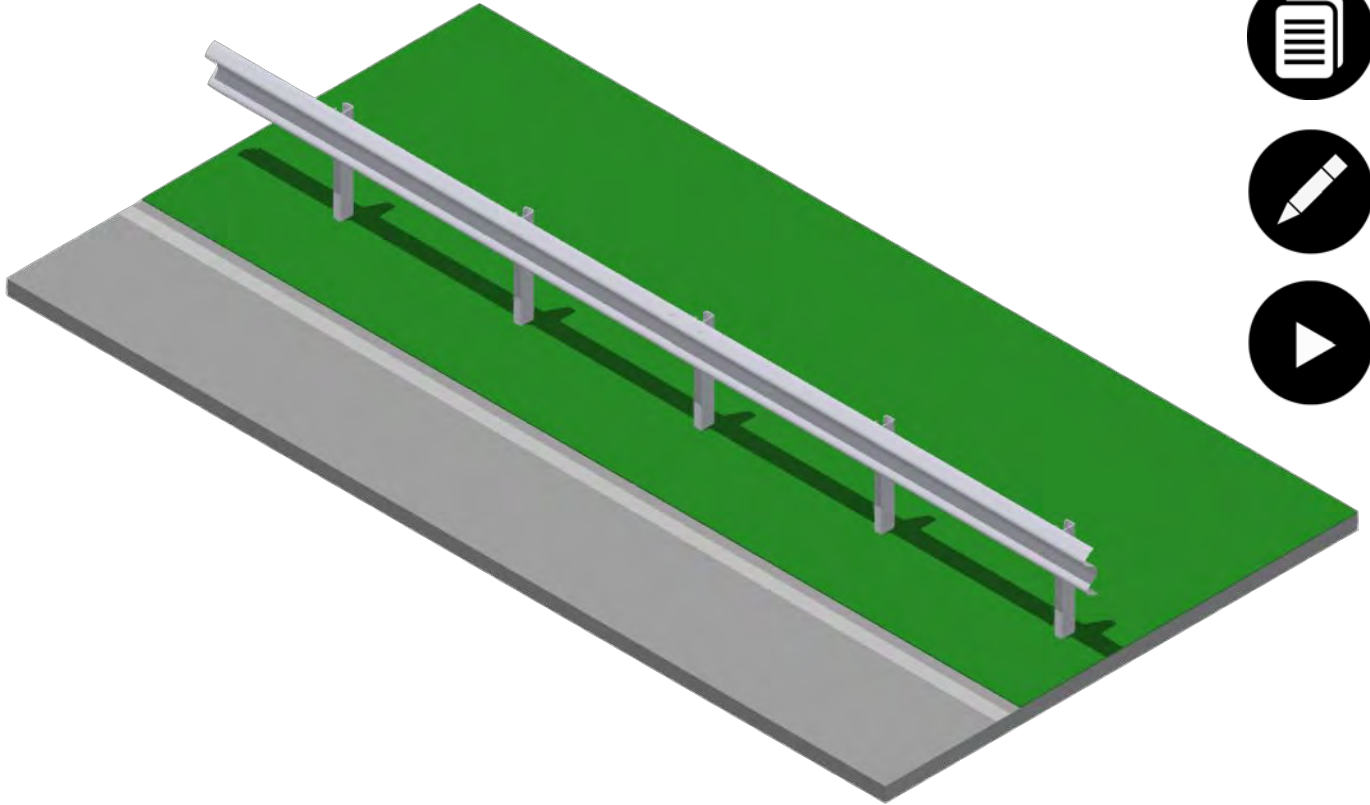
Application	Temporary system
Type	Double
Construction width (m)	0,6
Construction height (m)	0,54
Beam shape	-
Post shape	-
Post distance (m)	-
Post length (m)	-
Loading capacity (m)	-



Easy Rail 1.33

Steel road guardrail

N2 W2 A



Performances

Containment level	N2
Normalized working width (m)	0,80
Class of normalized working width	W2
Acceleration Severity Index (ASI)	A
Normalized dynamic deflection (m)	0,70
Vehicle Intrusion (VI)	-
THIV (Km/h)	-
Tested length (m)	48,00
CE certificate number	0531-CPR-1317-1034

Geometrical characteristics

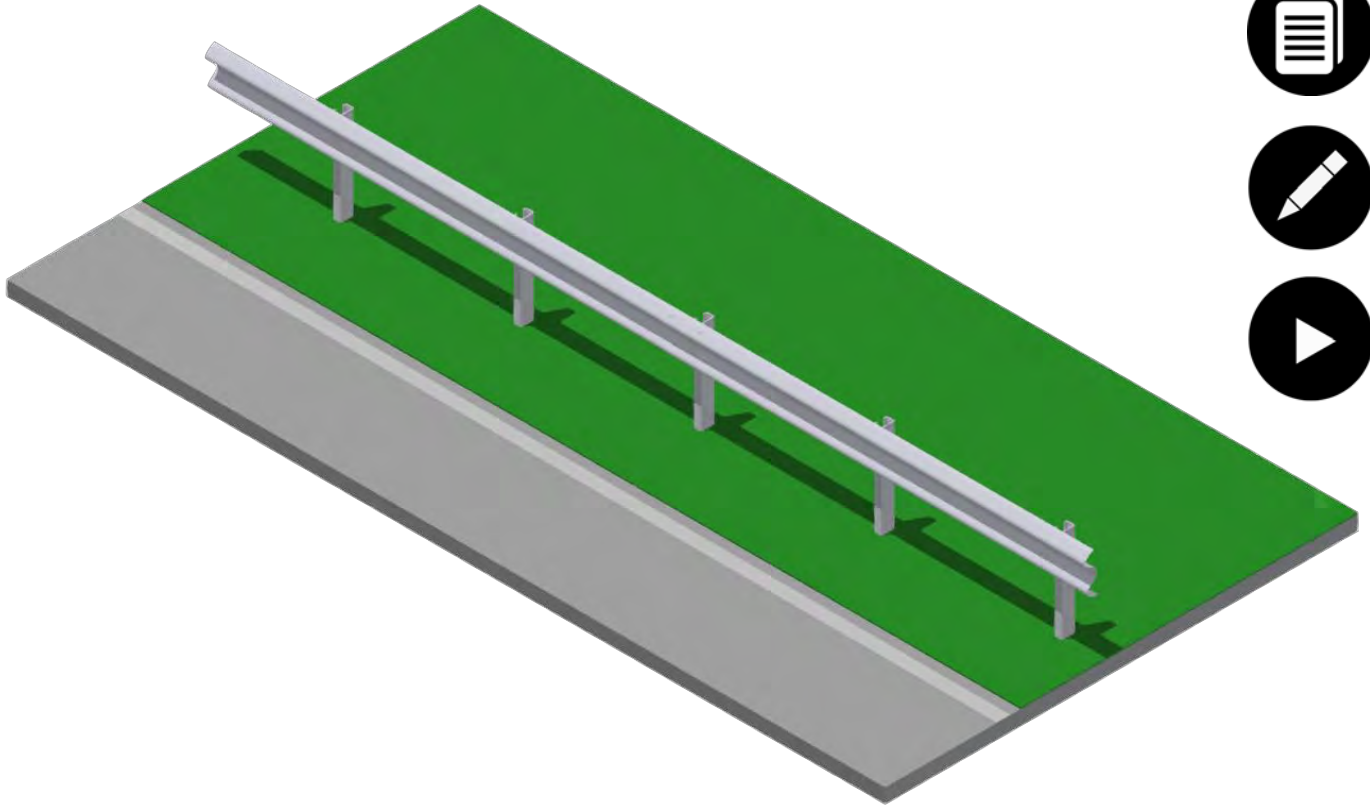
Application	Rammed
Type	Single
Construction width (m)	0,21
Construction height (m)	0,75
Beam shape	A/B
Post shape	-
Post distance (m)	1,33
Post length (m)	1,75
Loading capacity (m)	-



Easy Rail 1.33

Steel road guardrail

H1 W3 A



Performances

Containment level	H1
Normalized working width (m)	1,00
Class of normalized working width	W3
Acceleration Severity Index (ASI)	A
Normalized dynamic deflection (m)	0,90
Vehicle Intrusion (VI)	VI8
THIV (Km/h)	-
Tested length (m)	60,00
CE certificate number	0531-CPR-1317-1034

Geometrical characteristics

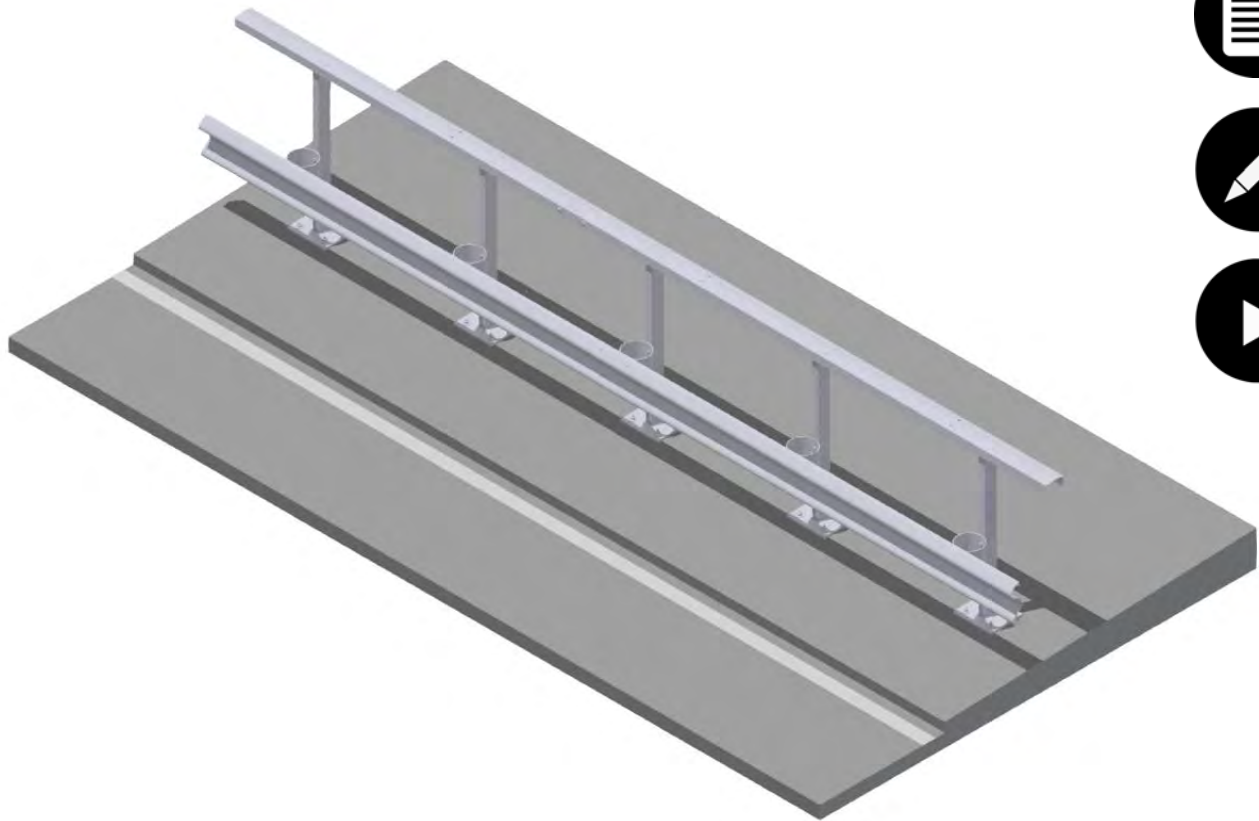
Application	Rammed
Type	Single
Construction width (m)	0,21
Construction height (m)	0,75
Beam shape	A/B
Post shape	-
Post distance (m)	1,33
Post length (m)	1,75
Loading capacity (m)	-



Easy Rail 1.33 OS

Steel road guardrail

H1 W4 B



Performances

Containment level	H1
Normalized working width (m)	1,10
Class of normalized working width	W4
Acceleration Severity Index (ASI)	B
Normalized dynamic deflection (m)	0,60
Vehicle Intrusion (VI)	VI3
THIV (Km/h)	-
Tested length (m)	36,00
CE certificate number	0531-CPR-1317-0624

Geometrical characteristics

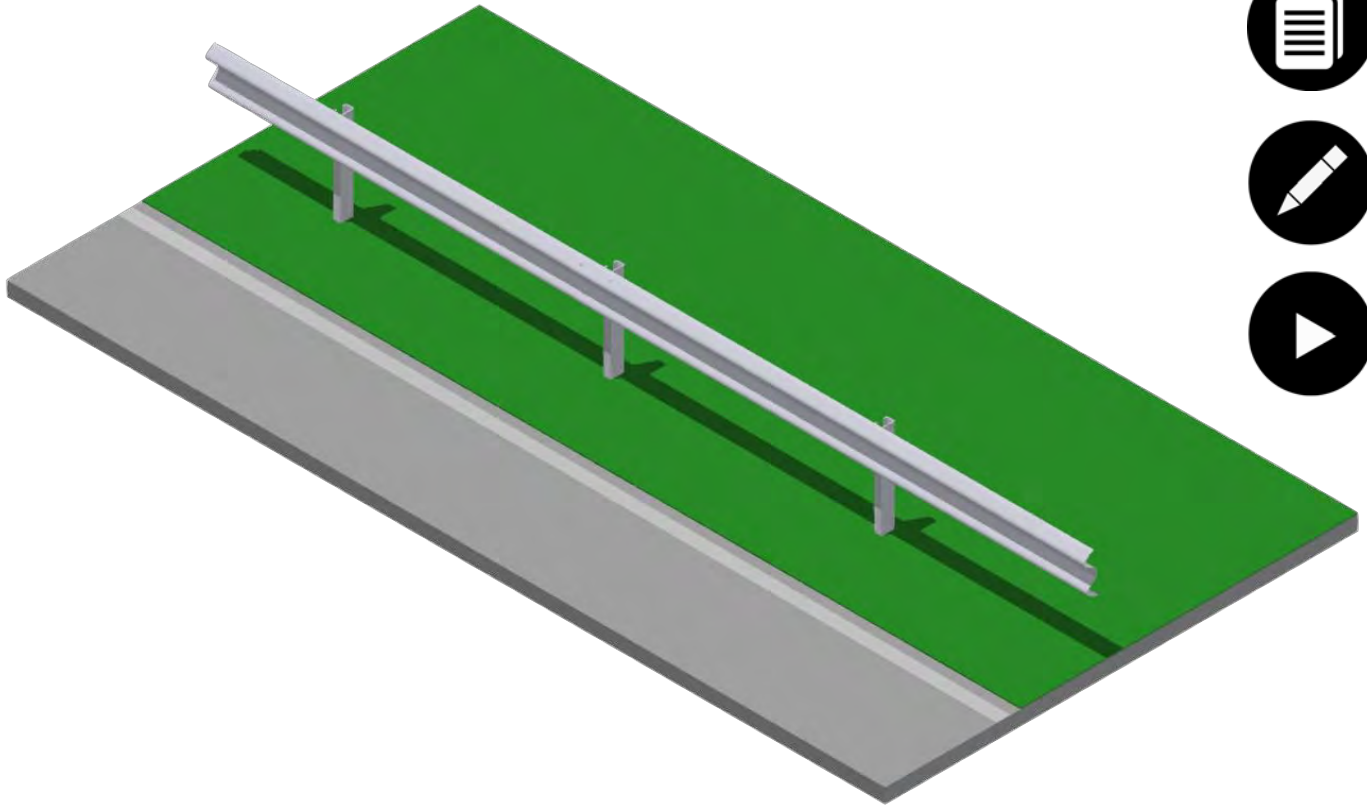
Application	On structures
Type	Single
Construction width (m)	0,43
Construction height (m)	1,20
Beam shape	A/B
Post shape	-
Post distance (m)	1,33
Post length (m)	1,18
Loading capacity (m)	-



Easy Rail 2.00

Steel road guardrail

N2 W3 A



Performances

Containment level	N2
Normalized working width (m)	1,00
Class of normalized working width	W3
Acceleration Severity Index (ASI)	A
Normalized dynamic deflection (m)	0,70
Vehicle Intrusion (VI)	-
THIV (Km/h)	-
Tested length (m)	52,00
CE certificate number	0531-CPR-1317-1079

Geometrical characteristics

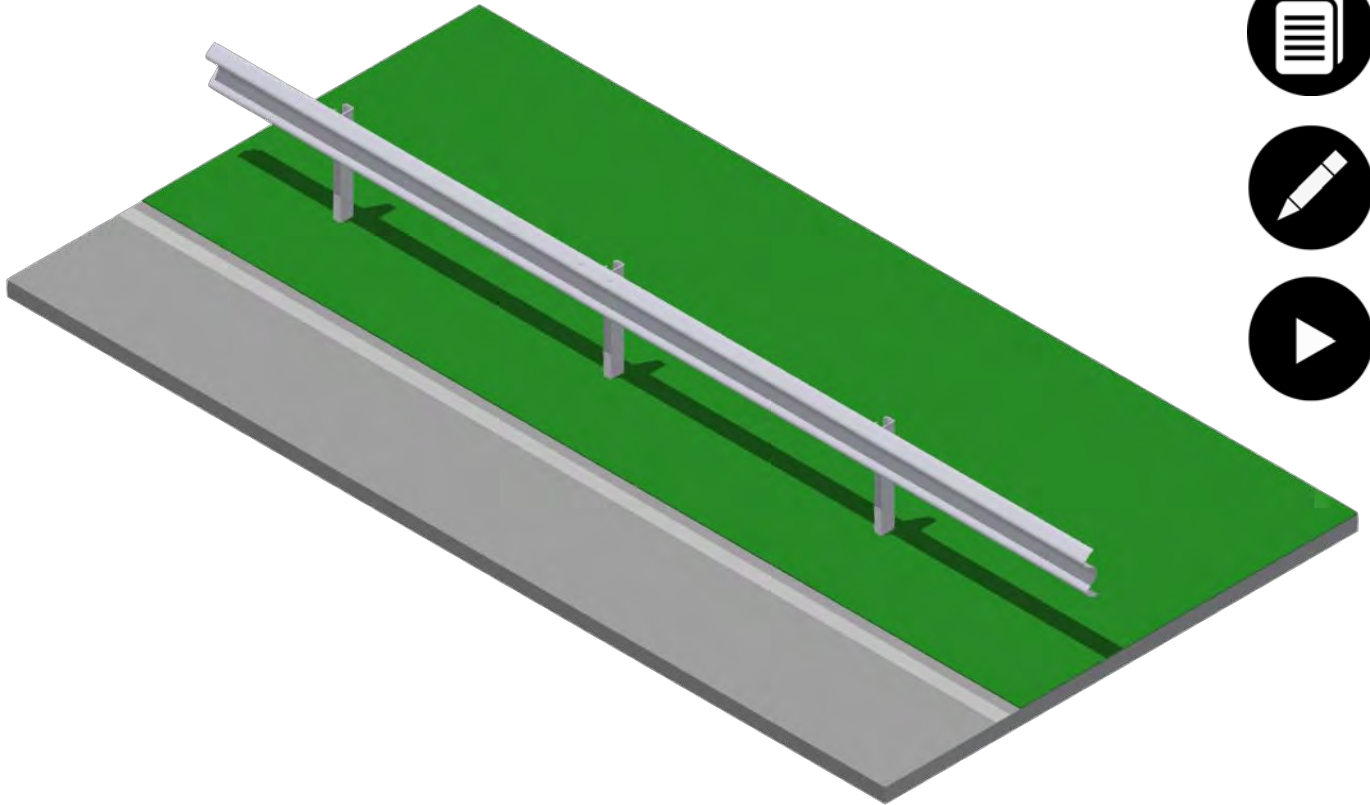
Application	Rammed
Type	Single
Construction width (m)	0,21
Construction height (m)	0,75
Beam shape	A/B
Post shape	-
Post distance (m)	2,00
Post length (m)	1,75
Loading capacity (m)	-



Easy Rail 2.00

Steel road guardrail

H1 W4 A



Performances

Containment level	H1
Normalized working width (m)	1,30
Class of normalized working width	W4
Acceleration Severity Index (ASI)	A
Normalized dynamic deflection (m)	1,20
Vehicle Intrusion (VI)	VI7
THIV (Km/h)	-
Tested length (m)	68,00
CE certificate number	0531-CPR-1317-1079

Geometrical characteristics

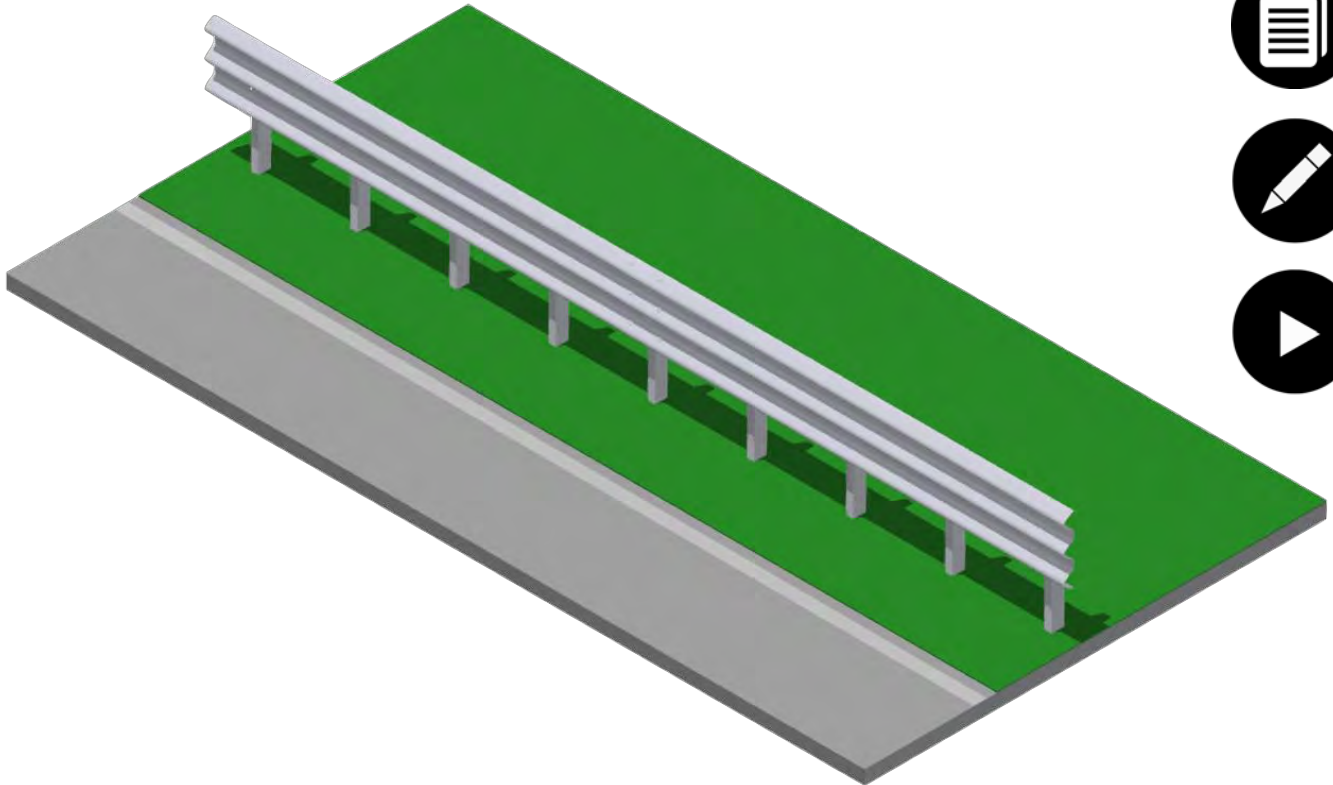
Application	Rammed
Type	Single
Construction width (m)	0,21
Construction height (m)	0,75
Beam shape	A/B
Post shape	-
Post distance (m)	2,00
Post length (m)	1,75
Loading capacity (m)	-



Easy Rail 3N 0.75

Steel road guardrail

N2 W3 B



Performances

Containment level	N2
Normalized working width (m)	1,00
Class of normalized working width	W3
Acceleration Severity Index (ASI)	B
Normalized dynamic deflection (m)	0,90
Vehicle Intrusion (VI)	-
THIV (Km/h)	-
Tested length (m)	45,00
CE certificate number	0531-CPR-1317-1973

Geometrical characteristics

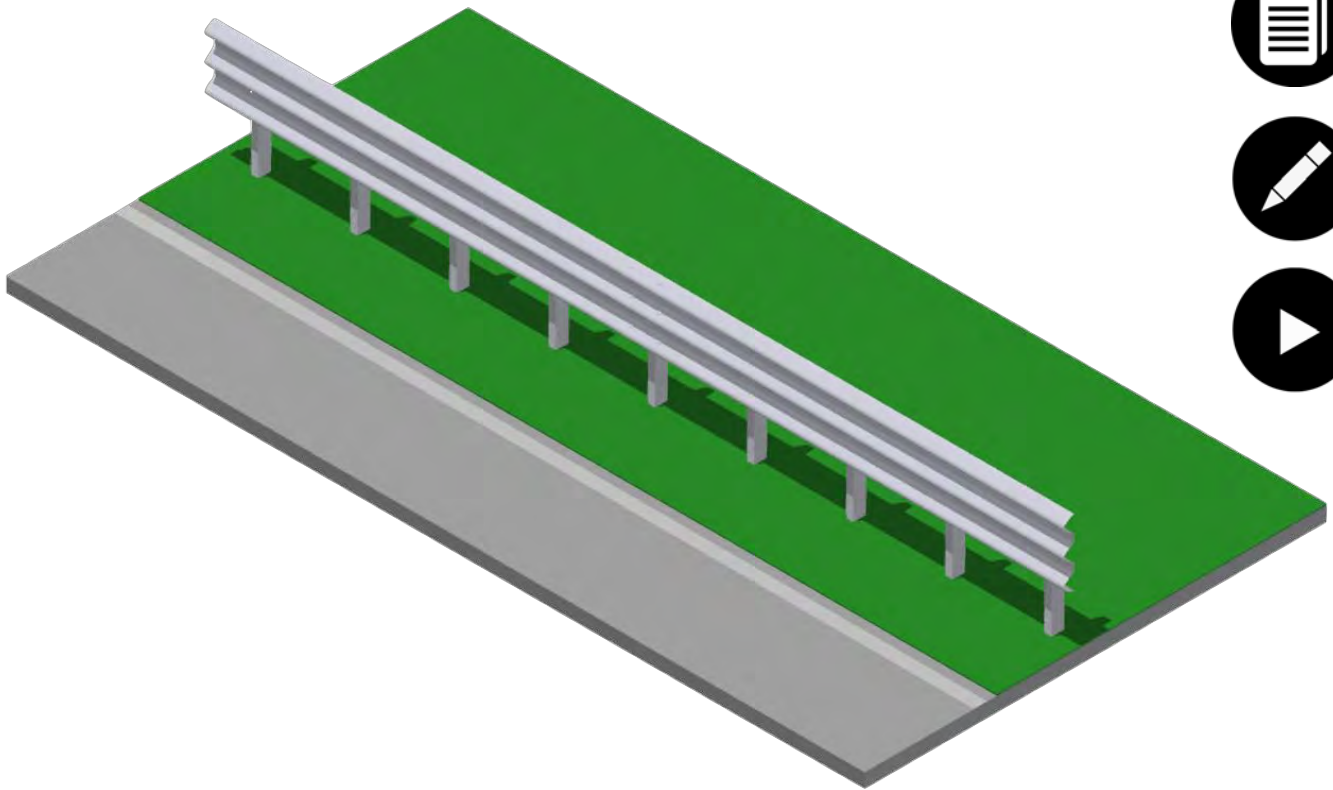
Application	Rammed
Type	Single
Construction width (m)	0,19
Construction height (m)	0,90
Beam shape	3N
Post shape	-
Post distance (m)	0,75
Post length (m)	1,60
Loading capacity (m)	-



Easy Rail 3N 0.75

Steel road guardrail

H2 W3 B



Performances

Containment level	H2
Normalized working width (m)	1,00
Class of normalized working width	W3
Acceleration Severity Index (ASI)	B
Normalized dynamic deflection (m)	0,90
Vehicle Intrusion (VI)	VI5
THIV (Km/h)	-
Tested length (m)	54,00
CE certificate number	0531-CPR-1317-1973

Geometrical characteristics

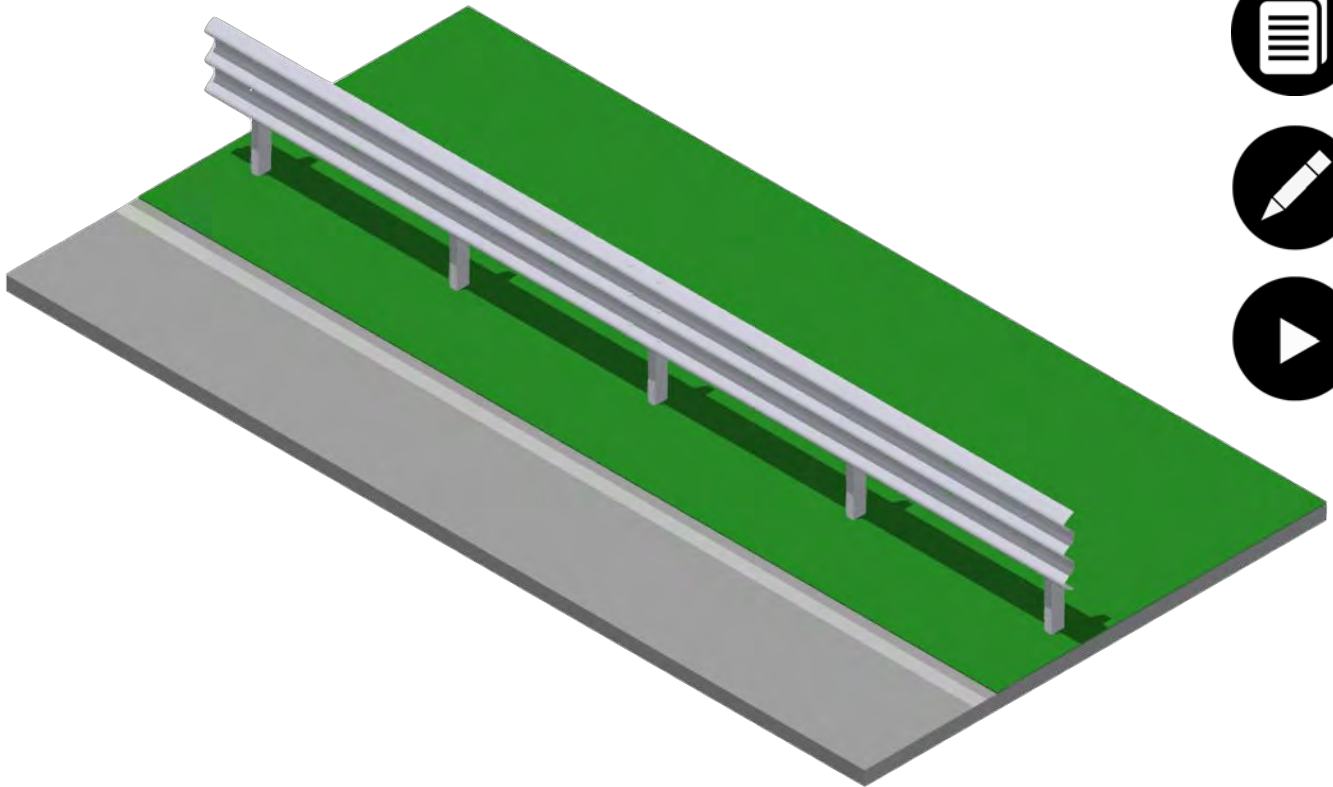
Application	Rammed
Type	Single
Construction width (m)	0,19
Construction height (m)	0,90
Beam shape	3N
Post shape	-
Post distance (m)	0,75
Post length (m)	1,60
Loading capacity (m)	-



Easy Rail 3N 1.50

Steel road guardrail

N2 W2 A



Performances

Containment level	N2
Normalized working width (m)	0,70
Class of normalized working width	W2
Acceleration Severity Index (ASI)	A
Normalized dynamic deflection (m)	0,60
Vehicle Intrusion (VI)	-
THIV (Km/h)	-
Tested length (m)	54,00
CE certificate number	0531-CPR-1317-1522

Geometrical characteristics

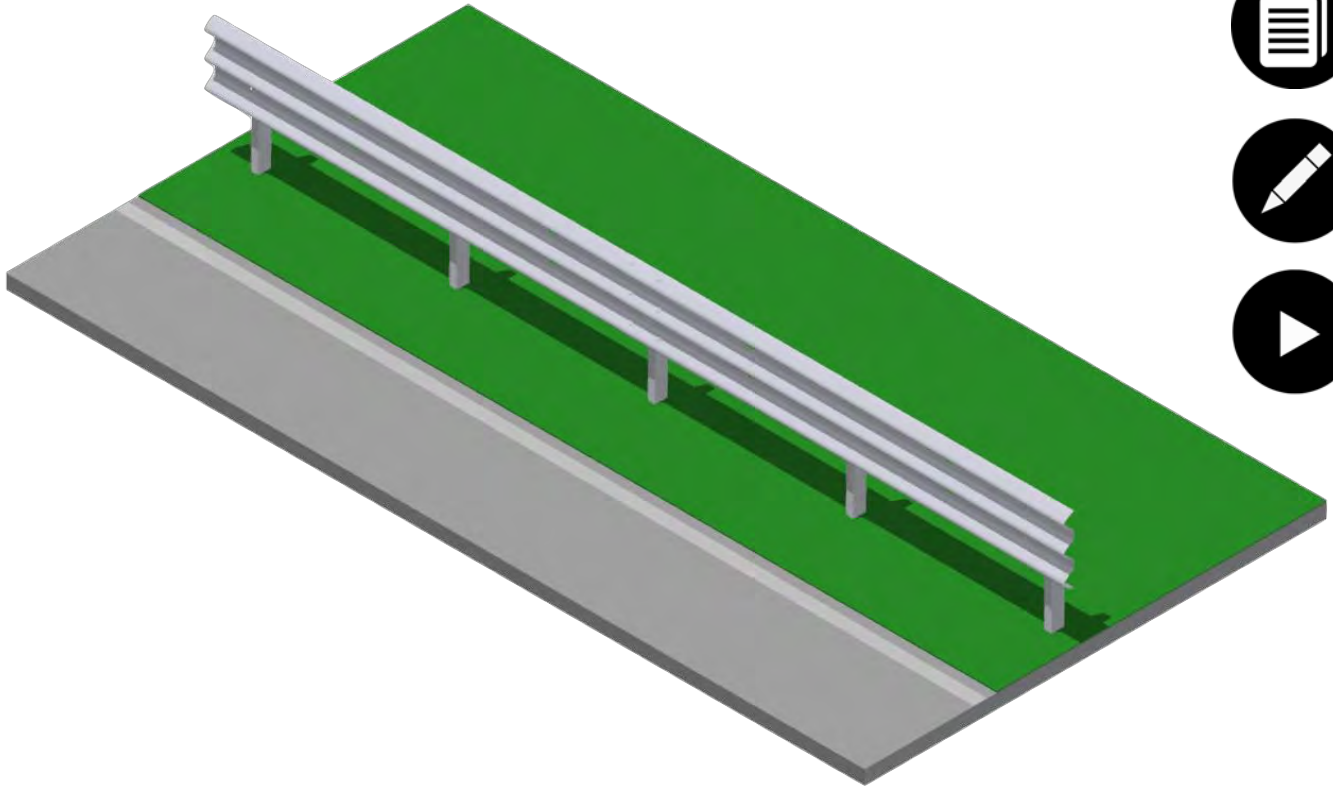
Application	Rammed
Type	Single
Construction width (m)	0,19
Construction height (m)	0,90
Beam shape	3N
Post shape	-
Post distance (m)	1,50
Post length (m)	1,60
Loading capacity (m)	-



Easy Rail 3N 1.50

Steel road guardrail

H2 W4 A



Performances

Containment level	H2
Normalized working width (m)	1,30
Class of normalized working width	W4
Acceleration Severity Index (ASI)	A
Normalized dynamic deflection (m)	1,20
Vehicle Intrusion (VI)	VI4
THIV (Km/h)	-
Tested length (m)	54,00
CE certificate number	0531-CPR-1317-1522

Geometrical characteristics

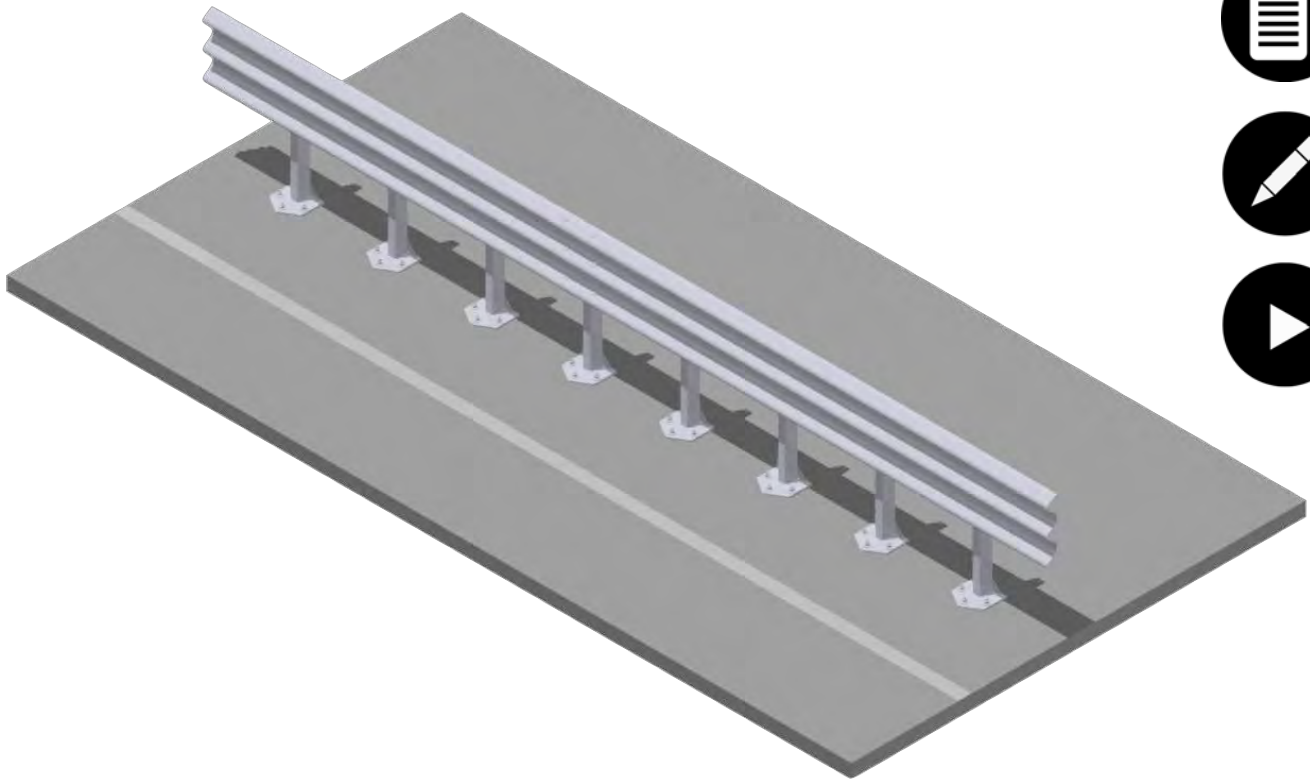
Application	Rammed
Type	Single
Construction width (m)	0,19
Construction height (m)	0,90
Beam shape	3N
Post shape	-
Post distance (m)	1,50
Post length (m)	1,60
Loading capacity (m)	-



Easy Rail 3N OS 0.75

Steel road guardrail

N2 W2 B



Performances

Containment level	N2
Normalized working width (m)	0,80
Class of normalized working width	W2
Acceleration Severity Index (ASI)	B
Normalized dynamic deflection (m)	0,40
Vehicle Intrusion (VI)	-
THIV (Km/h)	-
Tested length (m)	54,00
CE certificate number	0531-CPR-1317-1678

Geometrical characteristics

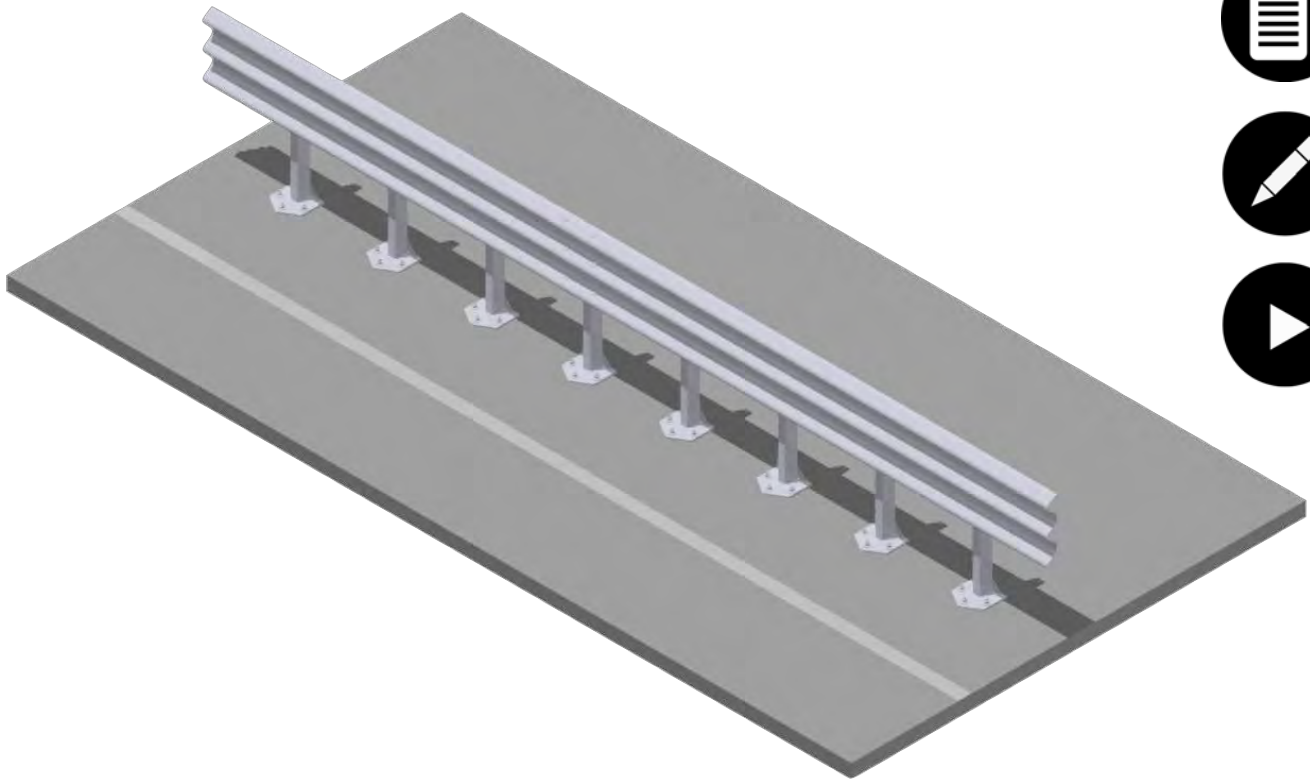
Application	On structures
Type	Single
Construction width (m)	0,19
Construction height (m)	1,00
Beam shape	3N
Post shape	-
Post distance (m)	0,75
Post length (m)	0,89
Loading capacity (m)	-



Easy Rail 3N OS 0.75

Steel road guardrail

H2 W3 B



Performances

Containment level	H2
Normalized working width (m)	1,00
Class of normalized working width	W3
Acceleration Severity Index (ASI)	B
Normalized dynamic deflection (m)	0,90
Vehicle Intrusion (VI)	VI3
THIV (Km/h)	-
Tested length (m)	54,00
CE certificate number	0531-CPR-1317-1678

Geometrical characteristics

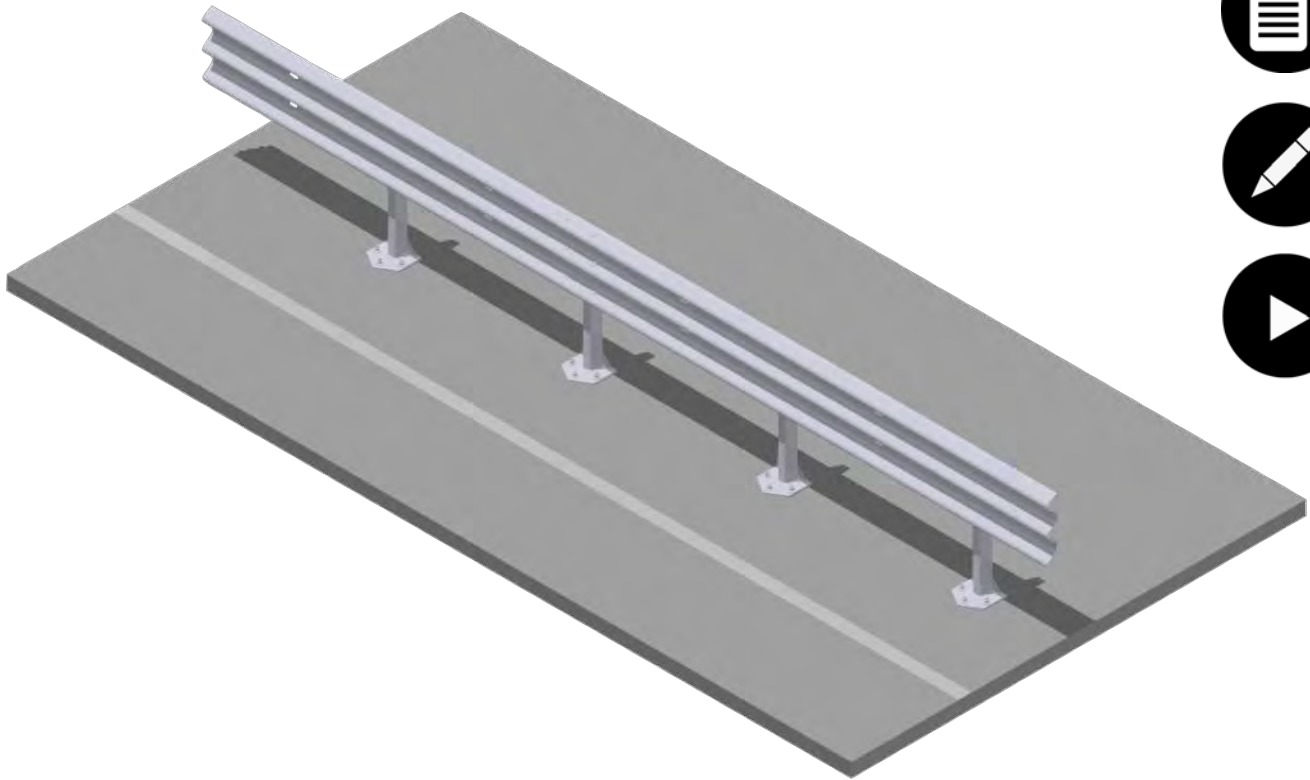
Application	On structures
Type	Single
Construction width (m)	0,19
Construction height (m)	1,00
Beam shape	3N
Post shape	-
Post distance (m)	0,75
Post length (m)	0,89
Loading capacity (m)	-



Easy Rail 3N OS 1.50

Steel road guardrail

N2 W2 B



Performances

Containment level	N2
Normalized working width (m)	0,70
Class of normalized working width	W2
Acceleration Severity Index (ASI)	B
Normalized dynamic deflection (m)	0,60
Vehicle Intrusion (VI)	-
THIV (Km/h)	-
Tested length (m)	54,00
CE certificate number	0531-CPR-1317-2217

Geometrical characteristics

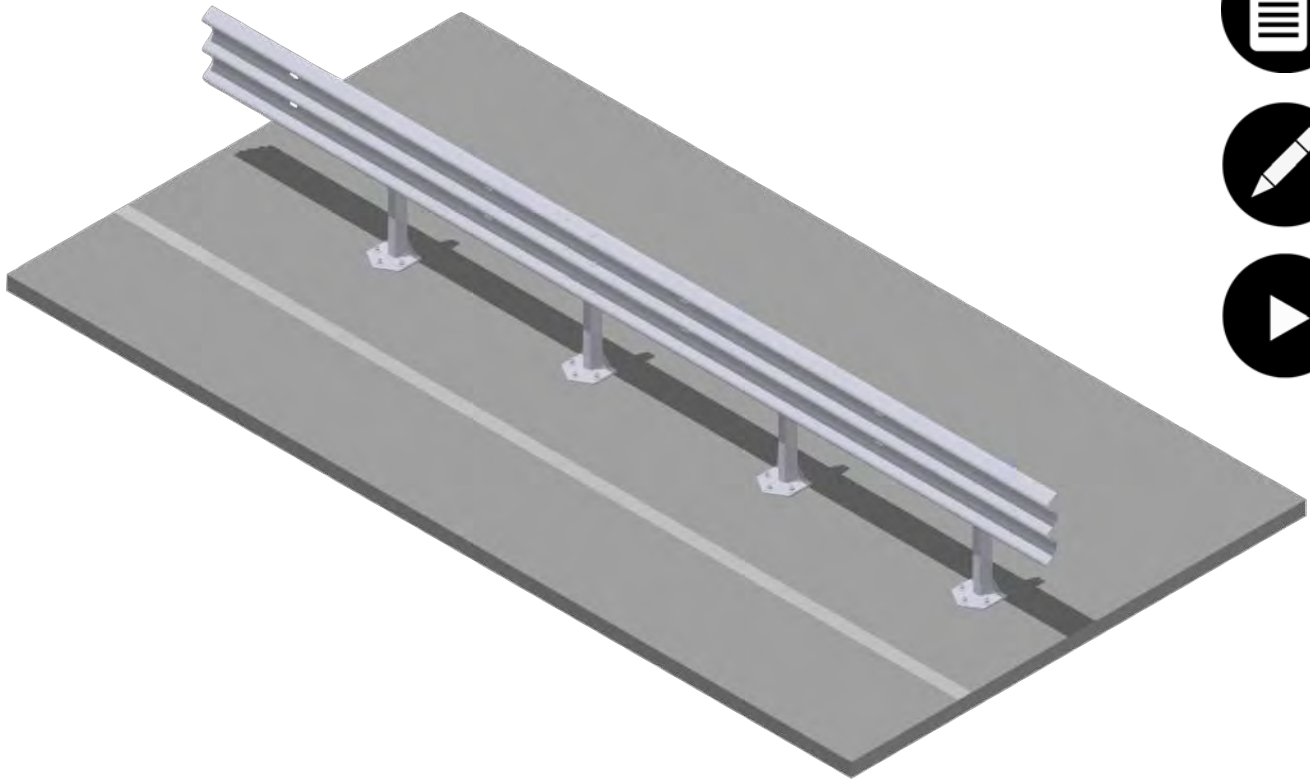
Application	On structures
Type	Single
Construction width (m)	0,19
Construction height (m)	1,00
Beam shape	3N
Post shape	-
Post distance (m)	1,50
Post length (m)	0,89
Loading capacity (m)	-



Easy Rail 3N OS 1.50

Steel road guardrail

H2 W4 B



Performances

Containment level	H2
Normalized working width (m)	1,30
Class of normalized working width	W4
Acceleration Severity Index (ASI)	B
Normalized dynamic deflection (m)	1,20
Vehicle Intrusion (VI)	VI5
THIV (Km/h)	-
Tested length (m)	54,00
CE certificate number	0531-CPR-1317-2217

Geometrical characteristics

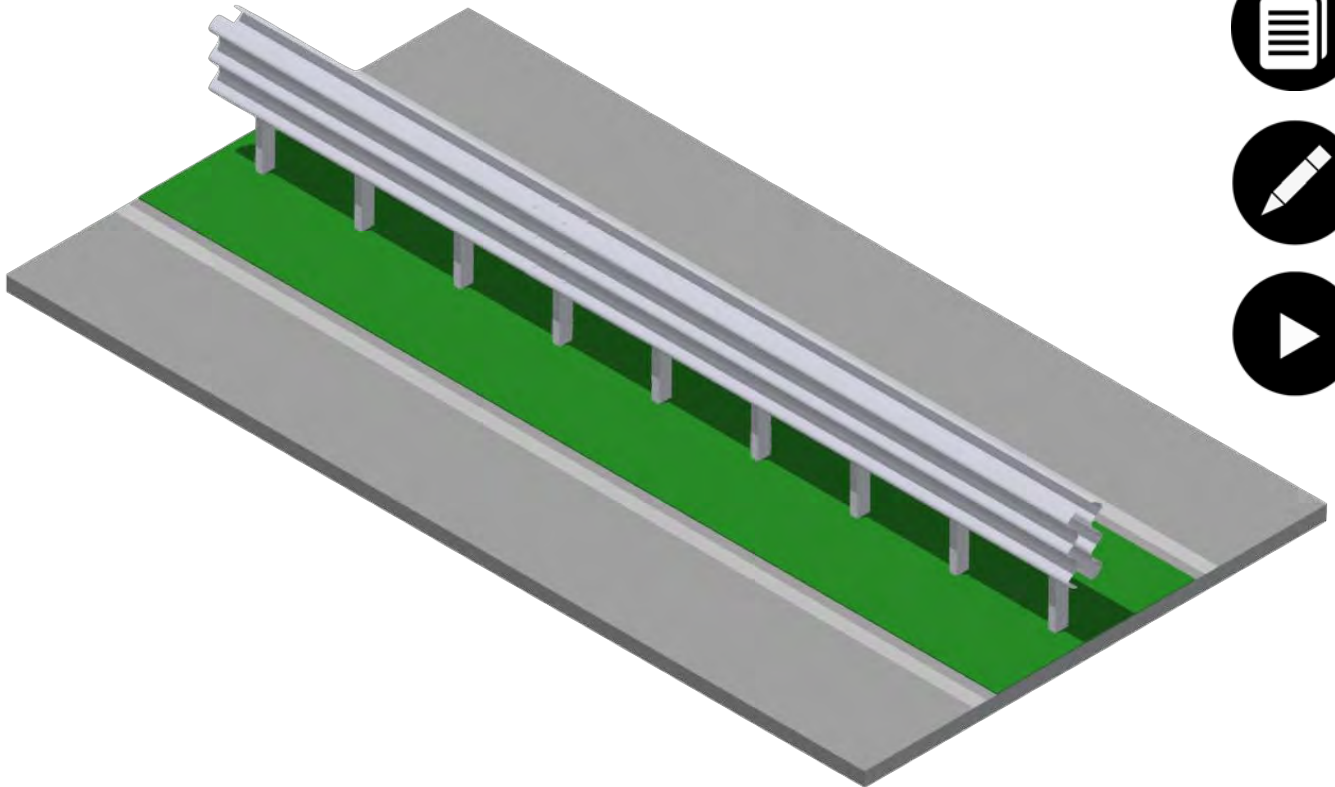
Application	On structures
Type	Single
Construction width (m)	0,19
Construction height (m)	1,00
Beam shape	3N
Post shape	-
Post distance (m)	1,50
Post length (m)	0,89
Loading capacity (m)	-



Easy Rail 3N DS 0.75

Steel road guardrail

N2 W2 B



Performances

Containment level	N2
Normalized working width (m)	0,70
Class of normalized working width	W2
Acceleration Severity Index (ASI)	B
Normalized dynamic deflection (m)	0,50
Vehicle Intrusion (VI)	-
THIV (Km/h)	-
Tested length (m)	54,00
CE certificate number	0531-CPR-1317-1650

Geometrical characteristics

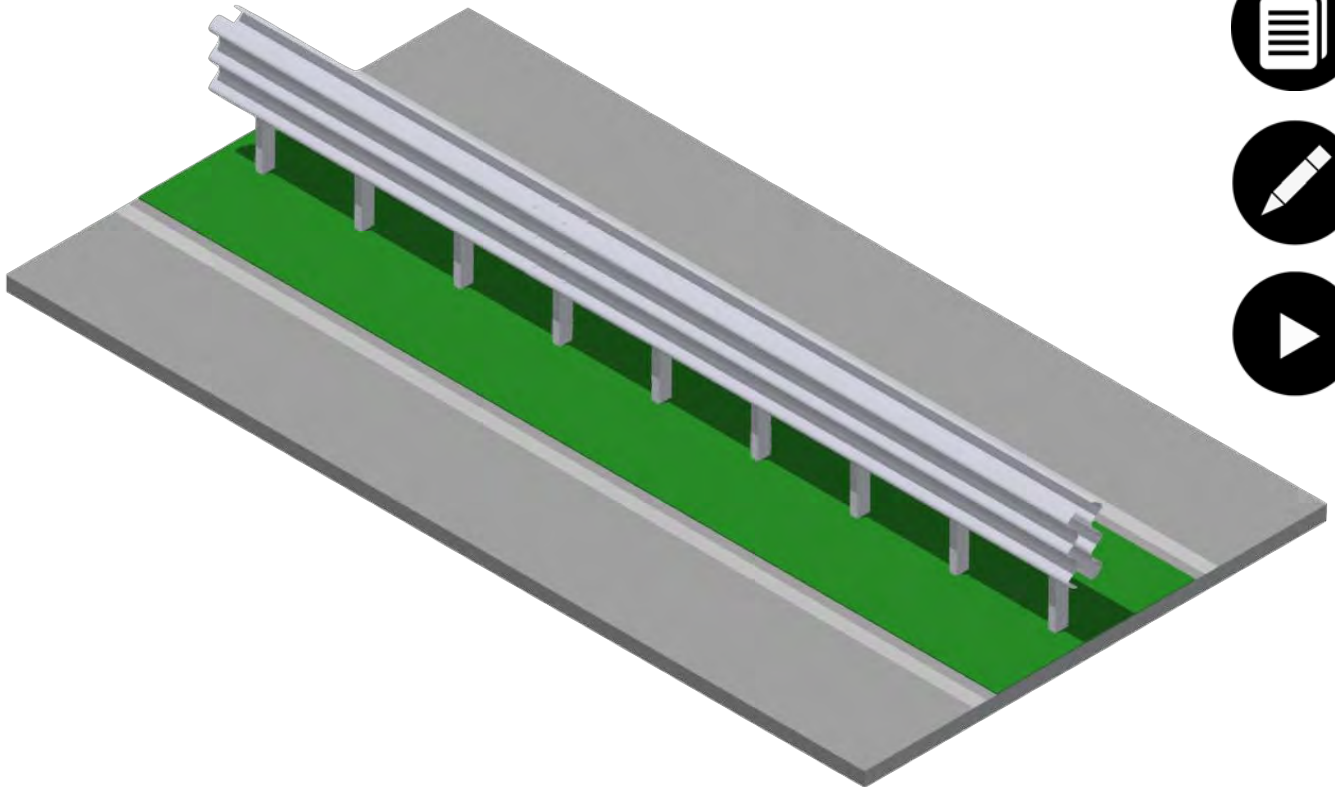
Application	Rammed
Type	Single
Construction width (m)	0,27
Construction height (m)	0,90
Beam shape	3N
Post shape	-
Post distance (m)	0,75
Post length (m)	1,60
Loading capacity (m)	-



Easy Rail 3N DS 0.75

Steel road guardrail

H2 W2 B



Performances

Containment level	H2
Normalized working width (m)	0,80
Class of normalized working width	W2
Acceleration Severity Index (ASI)	B
Normalized dynamic deflection (m)	0,70
Vehicle Intrusion (VI)	VI3
THIV (Km/h)	-
Tested length (m)	54,00
CE certificate number	0531-CPR-1317-1650

Geometrical characteristics

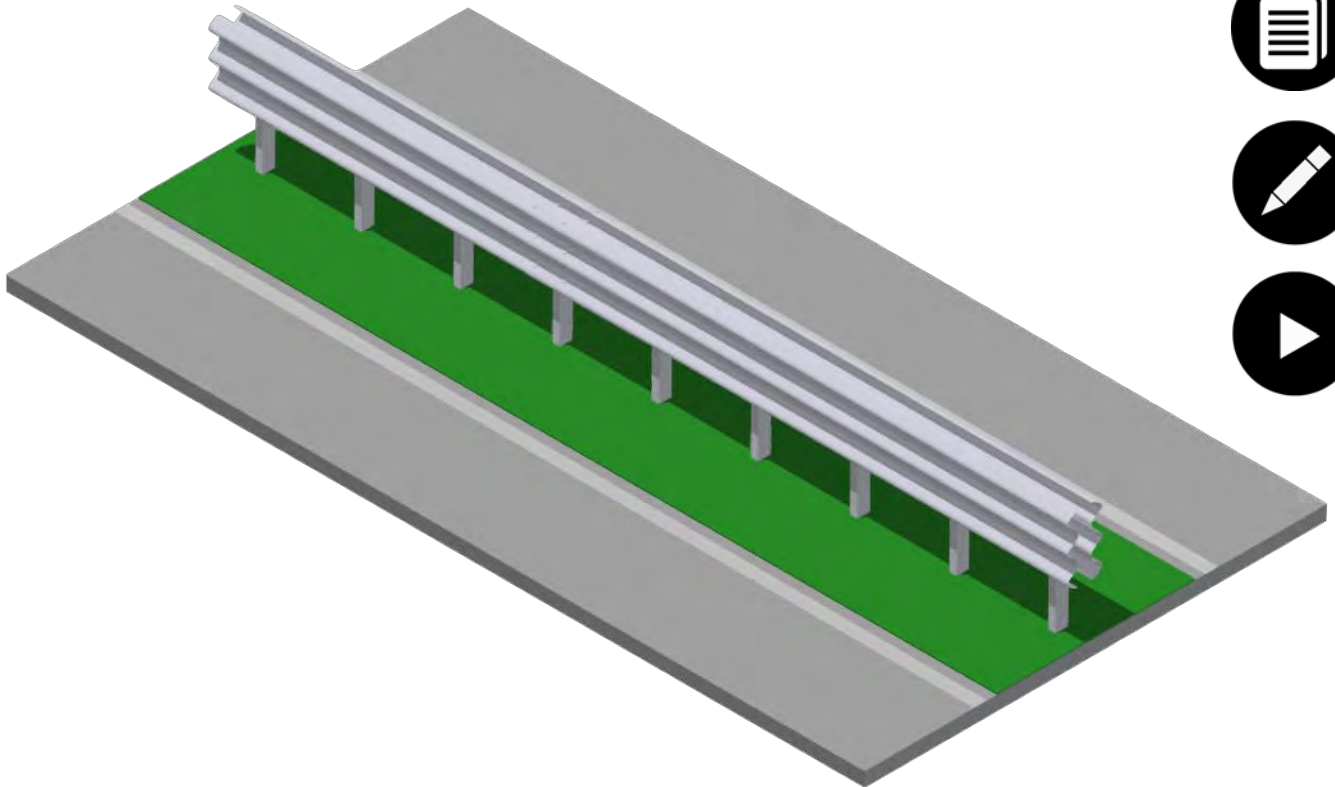
Application	Rammed
Type	Single
Construction width (m)	0,27
Construction height (m)	0,90
Beam shape	3N
Post shape	-
Post distance (m)	0,75
Post length (m)	1,60
Loading capacity (m)	-



Easy Rail 3N DS 0.75

Steel road guardrail

N2 W2 B



Performances

Containment level	N2
Normalized working width (m)	0,70
Class of normalized working width	W2
Acceleration Severity Index (ASI)	B
Normalized dynamic deflection (m)	0,50
Vehicle Intrusion (VI)	-
THIV (Km/h)	-
Tested length (m)	54,00
CE certificate number	0531-CPR-1317-1650

Geometrical characteristics

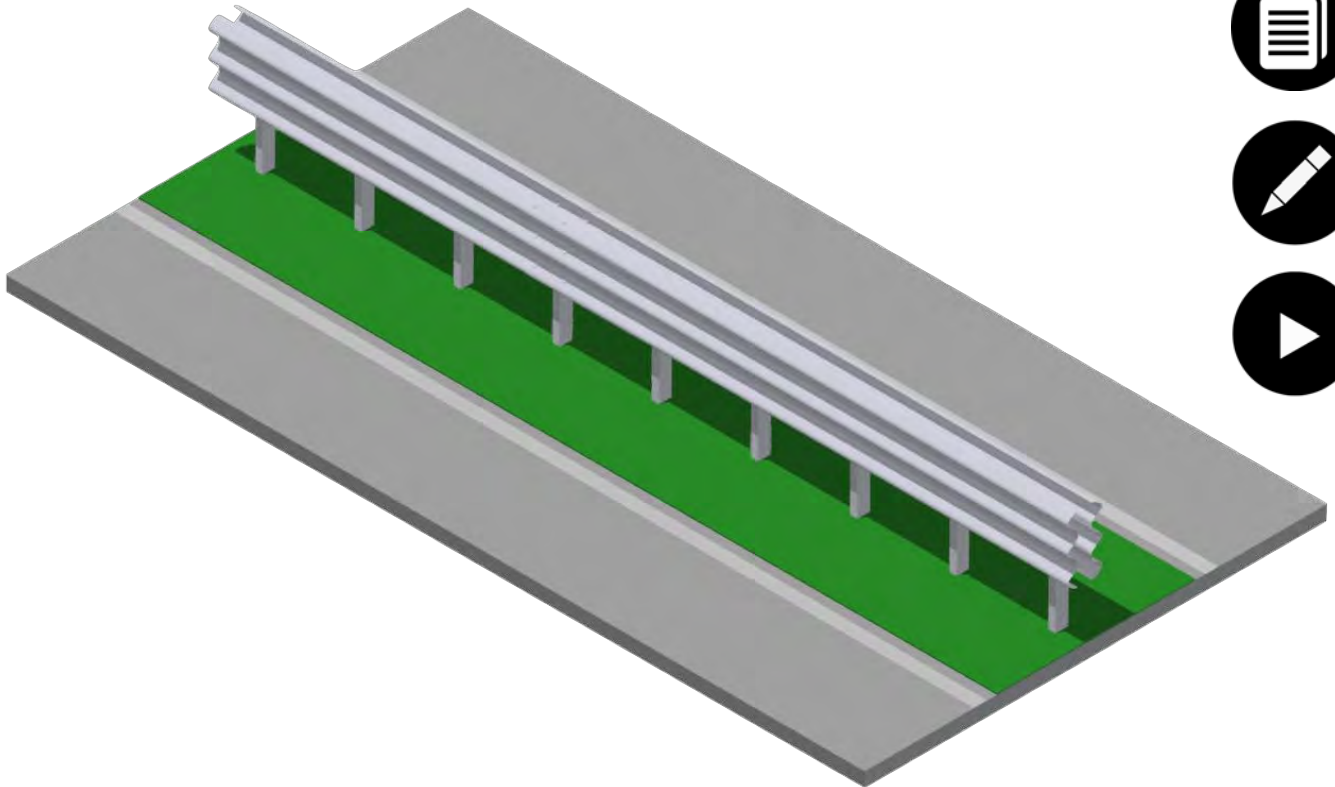
Application	Rammed
Type	Double
Construction width (m)	0,27
Construction height (m)	0,90
Beam shape	3N
Post shape	-
Post distance (m)	0,75
Post length (m)	1,60
Loading capacity (m)	-



Easy Rail 3N DS 0.75

Steel road guardrail

H2 W2 B



Performances

Containment level	H2
Normalized working width (m)	0,80
Class of normalized working width	W2
Acceleration Severity Index (ASI)	B
Normalized dynamic deflection (m)	0,70
Vehicle Intrusion (VI)	VI3
THIV (Km/h)	-
Tested length (m)	54,00
CE certificate number	0531-CPR-1317-1650

Geometrical characteristics

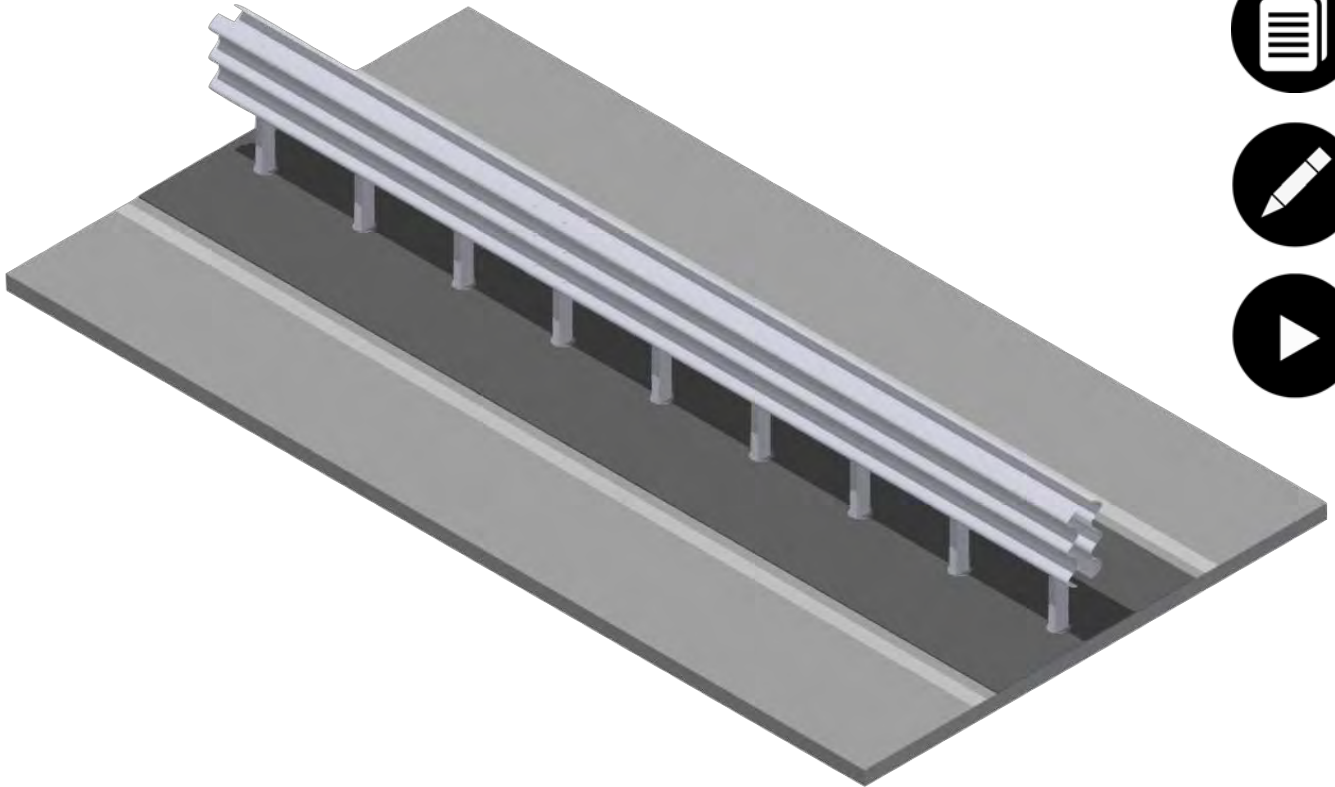
Application	Rammed
Type	Double
Construction width (m)	0,27
Construction height (m)	0,90
Beam shape	3N
Post shape	-
Post distance (m)	0,75
Post length (m)	1,60
Loading capacity (m)	-



Easy Rail 3N DS 0.75 MUF

Steel road guardrail

N2 W2 B



Performances

Containment level	N2
Normalized working width (m)	0,70
Class of normalized working width	W2
Acceleration Severity Index (ASI)	B
Normalized dynamic deflection (m)	0,50
Vehicle Intrusion (VI)	-
THIV (Km/h)	-
Tested length (m)	54,00
CE certificate number	0531-CPR-1317-1892

Geometrical characteristics

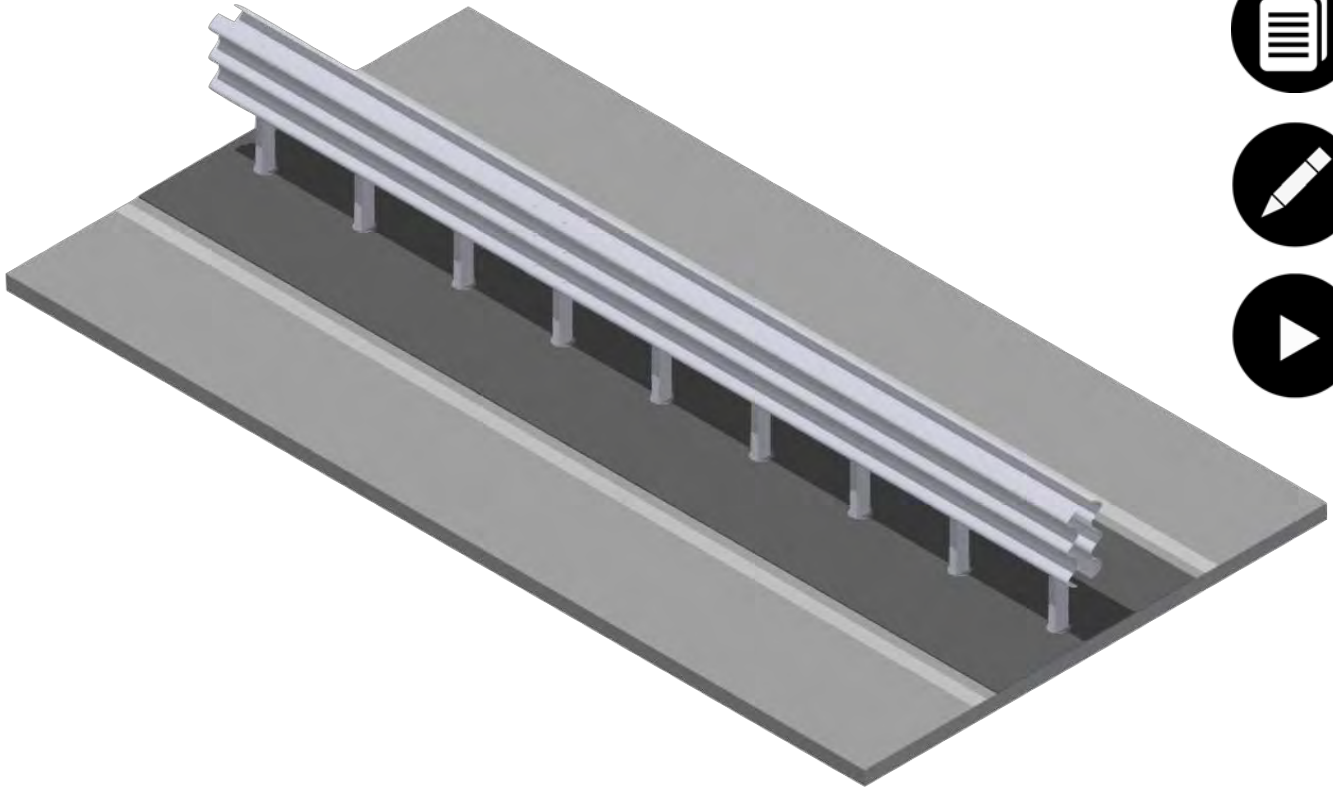
Application	Rammed
Type	Single
Construction width (m)	0,27
Construction height (m)	0,90
Beam shape	3N
Post shape	-
Post distance (m)	0,75
Post length (m)	1,60
Loading capacity (m)	-



Easy Rail 3N DS 0.75 MUF

Steel road guardrail

H2 W2 B



Performances

Containment level	H2
Normalized working width (m)	0,80
Class of normalized working width	W2
Acceleration Severity Index (ASI)	B
Normalized dynamic deflection (m)	0,70
Vehicle Intrusion (VI)	VI3
THIV (Km/h)	-
Tested length (m)	54,00
CE certificate number	0531-CPR-1317-1892

Geometrical characteristics

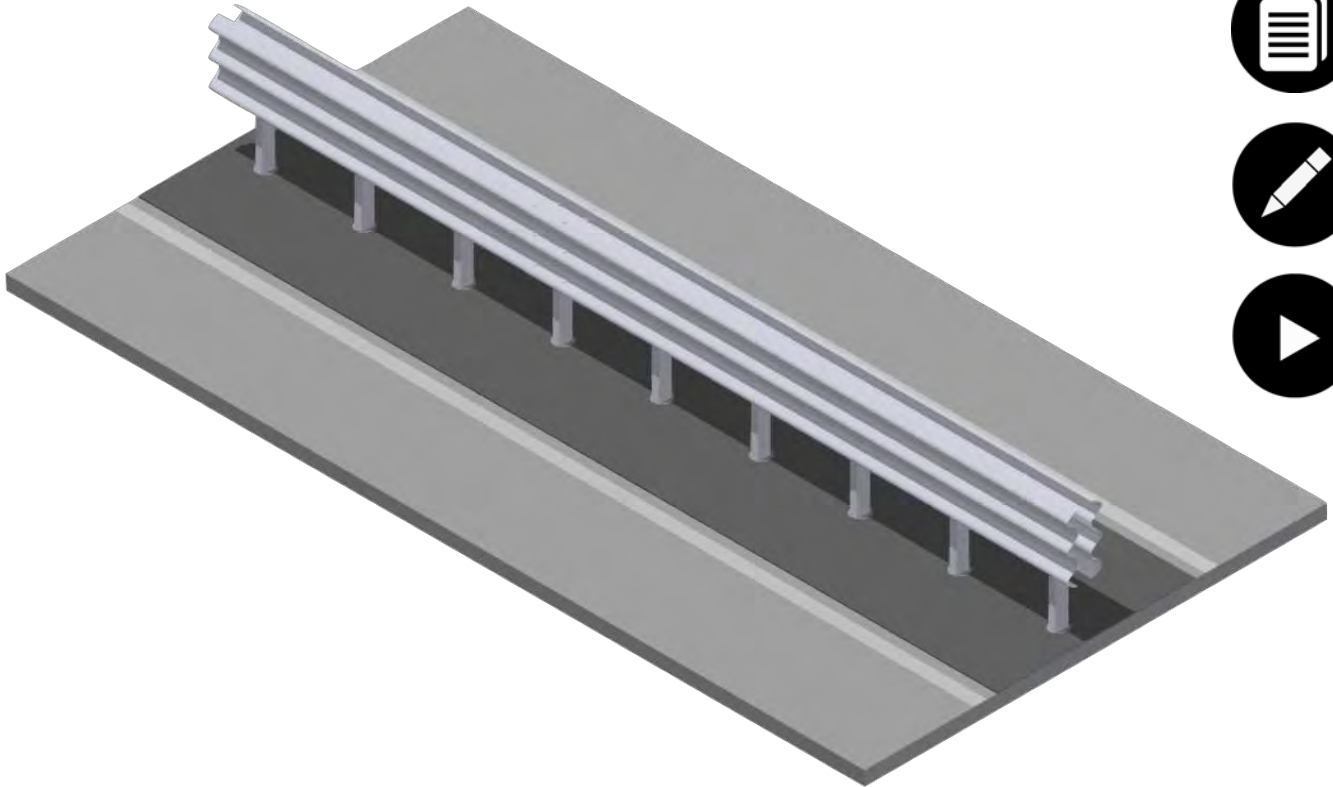
Application	Rammed
Type	Single
Construction width (m)	0,27
Construction height (m)	0,90
Beam shape	3N
Post shape	-
Post distance (m)	0,75
Post length (m)	1,60
Loading capacity (m)	-



Easy Rail 3N DS 0.75 MUF

Steel road guardrail

N2 W2 B



Performances

Containment level	N2
Normalized working width (m)	0,70
Class of normalized working width	W2
Acceleration Severity Index (ASI)	B
Normalized dynamic deflection (m)	0,50
Vehicle Intrusion (VI)	-
THIV (Km/h)	-
Tested length (m)	54,00
CE certificate number	0531-CPR-1317-1892

Geometrical characteristics

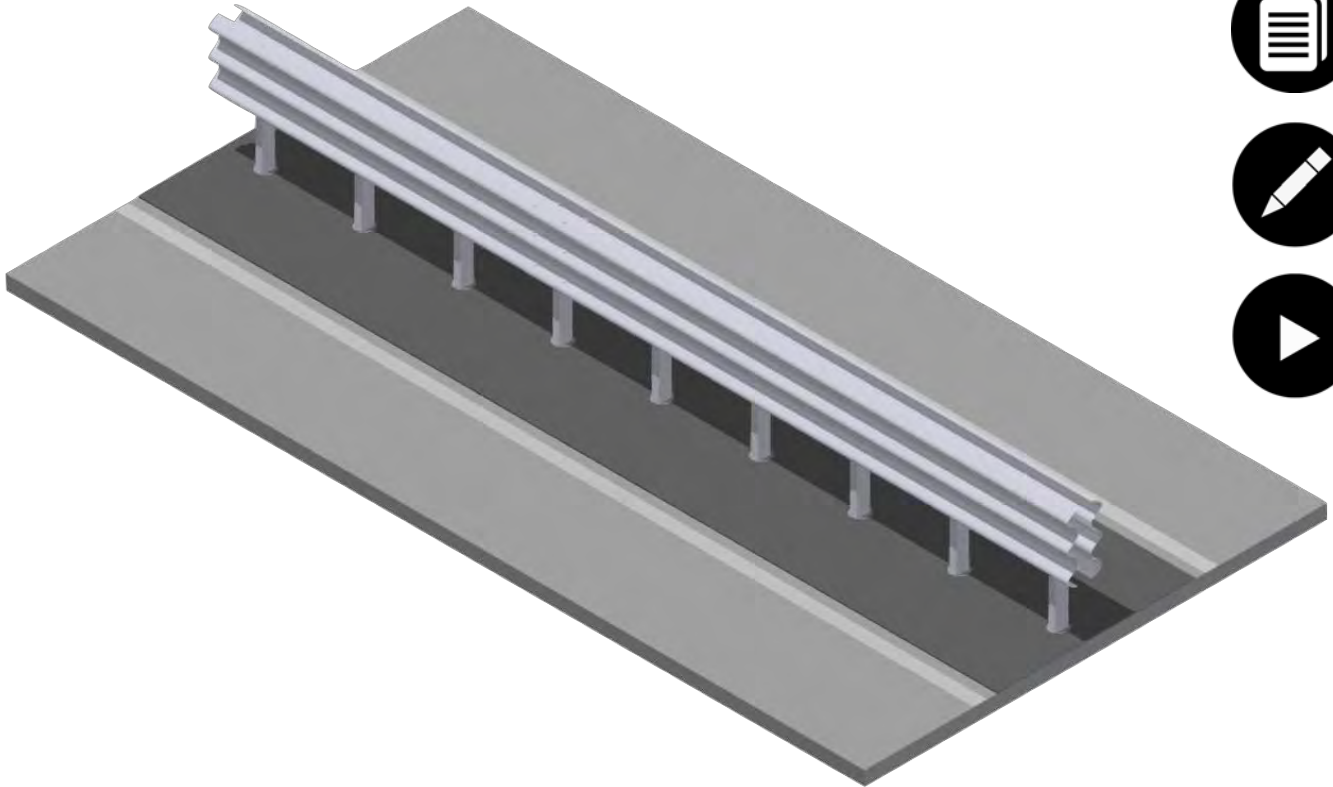
Application	Rammed
Type	Double
Construction width (m)	0,27
Construction height (m)	0,90
Beam shape	3N
Post shape	-
Post distance (m)	0,75
Post length (m)	1,60
Loading capacity (m)	-



Easy Rail 3N DS 0.75 MUF

Steel road guardrail

H2 W2 B



Performances

Containment level	H2
Normalized working width (m)	0,80
Class of normalized working width	W2
Acceleration Severity Index (ASI)	B
Normalized dynamic deflection (m)	0,70
Vehicle Intrusion (VI)	VI3
THIV (Km/h)	-
Tested length (m)	54,00
CE certificate number	0531-CPR-1317-1892

Geometrical characteristics

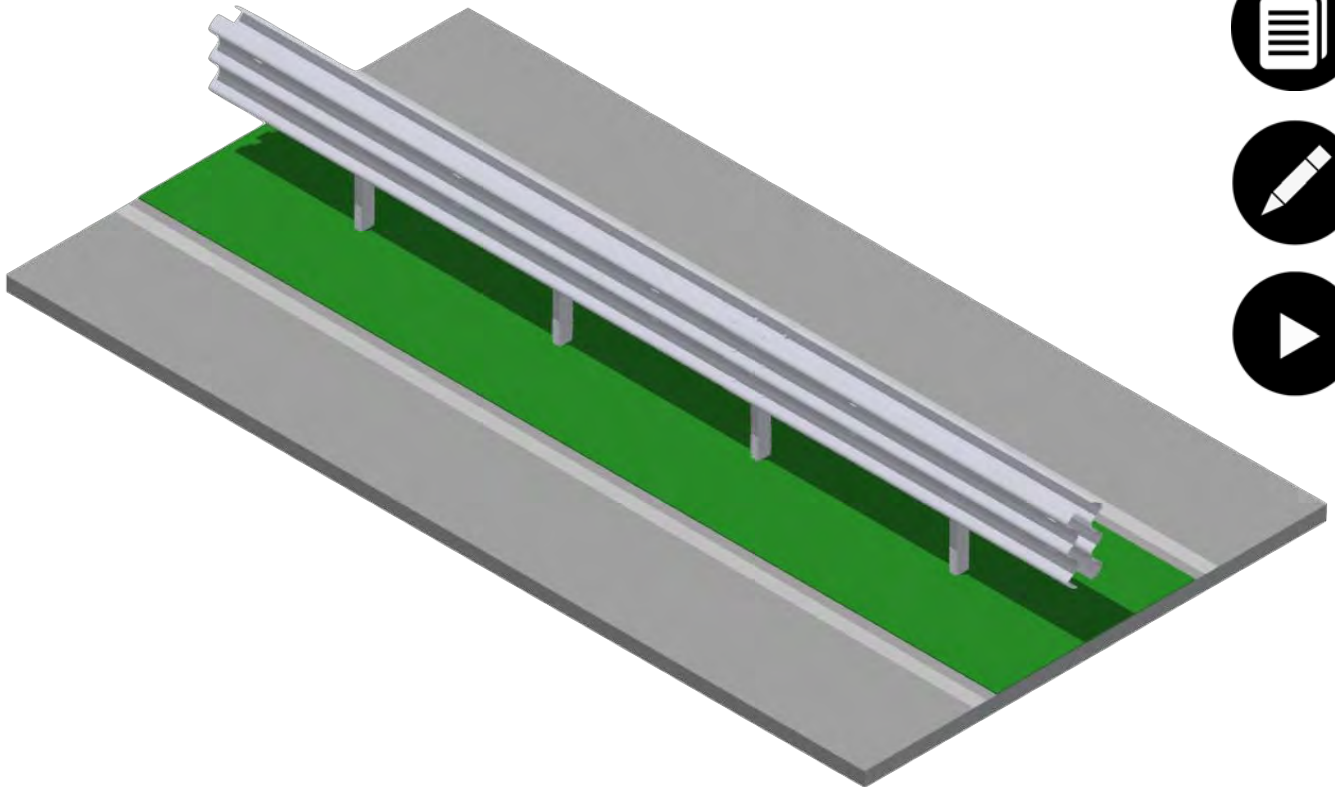
Application	Rammed
Type	Double
Construction width (m)	0,27
Construction height (m)	0,90
Beam shape	3N
Post shape	-
Post distance (m)	0,75
Post length (m)	1,60
Loading capacity (m)	-



Easy Rail 3N DS 1.50

Steel road guardrail

N2 W2 B



Performances

Containment level	N2
Normalized working width (m)	0,70
Class of normalized working width	W2
Acceleration Severity Index (ASI)	B
Normalized dynamic deflection (m)	0,60
Vehicle Intrusion (VI)	-
THIV (Km/h)	-
Tested length (m)	54,00
CE certificate number	0531-CPR-1317-2087

Geometrical characteristics

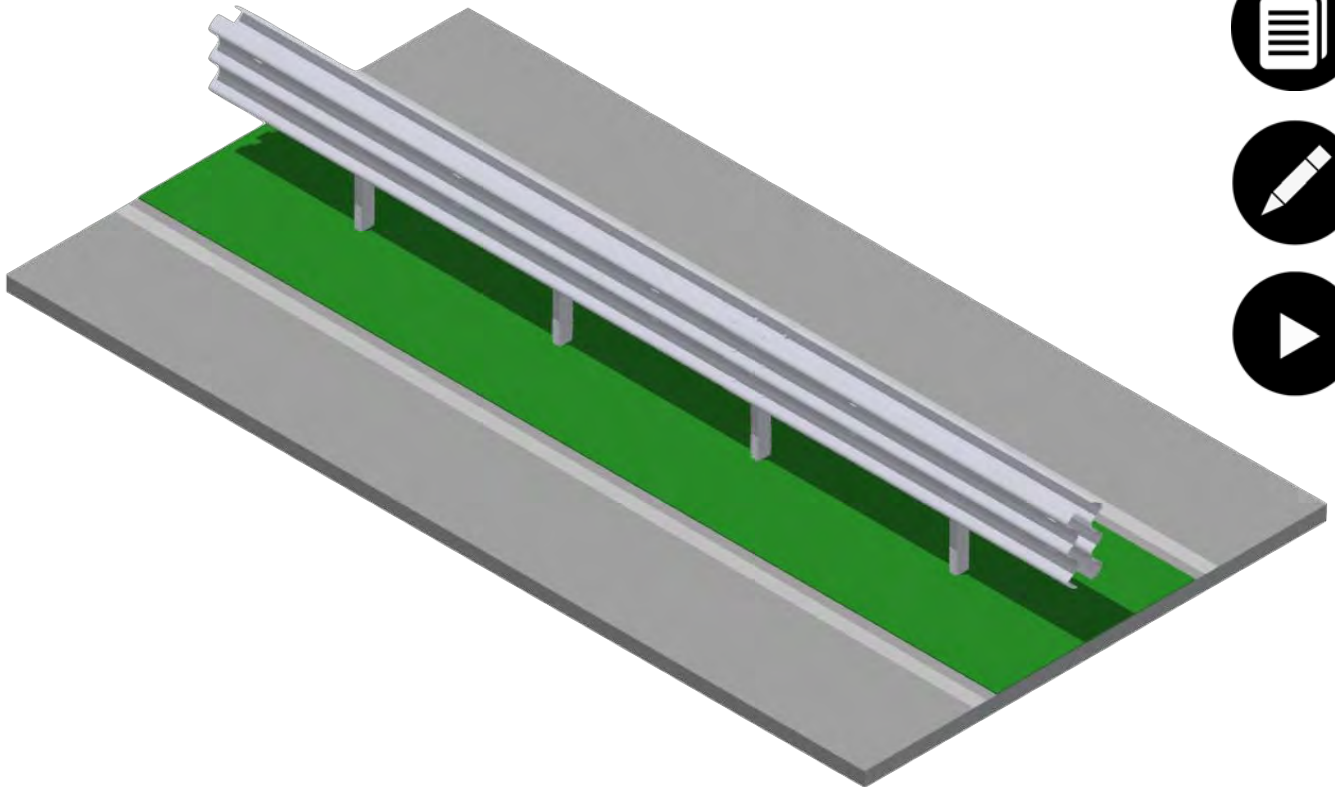
Application	Rammed
Type	Single
Construction width (m)	0,27
Construction height (m)	0,90
Beam shape	3N
Post shape	-
Post distance (m)	1,50
Post length (m)	1,60
Loading capacity (m)	-



Easy Rail 3N DS 1.50

Steel road guardrail

H2 W4 B



Performances

Containment level	H2
Normalized working width (m)	1,30
Class of normalized working width	W4
Acceleration Severity Index (ASI)	B
Normalized dynamic deflection (m)	1,20
Vehicle Intrusion (VI)	VI5
THIV (Km/h)	-
Tested length (m)	54,00
CE certificate number	0531-CPR-1317-2087

Geometrical characteristics

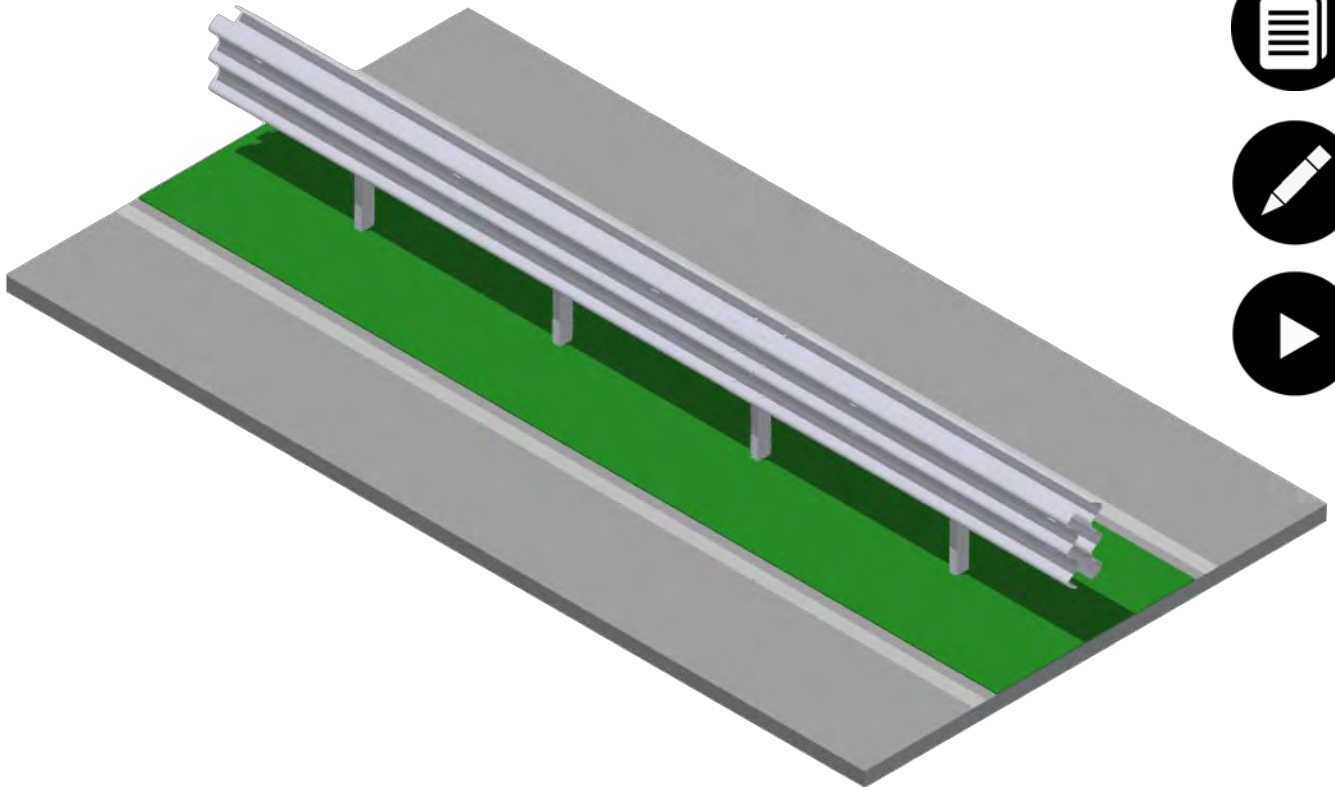
Application	Rammed
Type	Double
Construction width (m)	0,27
Construction height (m)	0,90
Beam shape	3N
Post shape	-
Post distance (m)	1,50
Post length (m)	1,60
Loading capacity (m)	-



Easy Rail 3N DS 1.50

Steel road guardrail

N2 W2 B



Performances

Containment level	N2
Normalized working width (m)	0,70
Class of normalized working width	W2
Acceleration Severity Index (ASI)	B
Normalized dynamic deflection (m)	0,60
Vehicle Intrusion (VI)	-
THIV (Km/h)	-
Tested length (m)	54,00
CE certificate number	0531-CPR-1317-2087

Geometrical characteristics

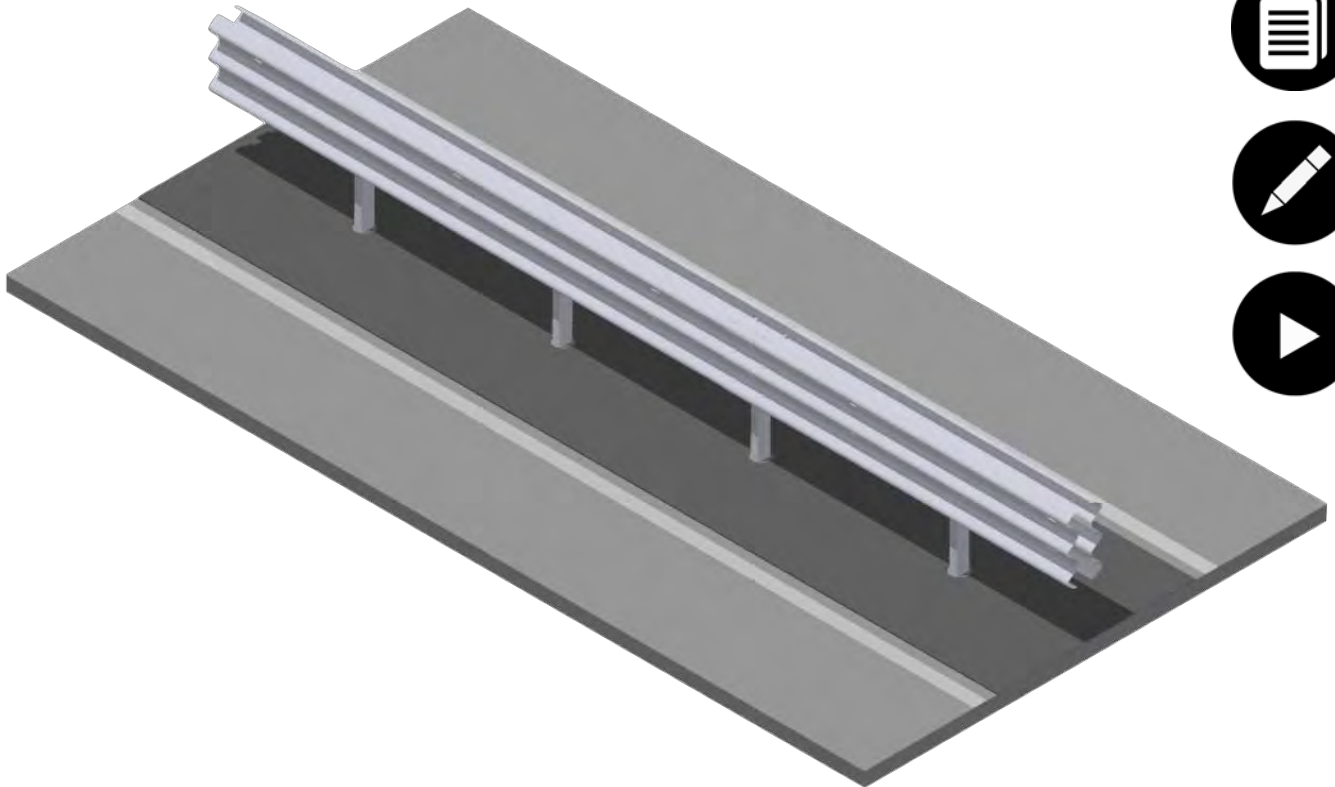
Application	Rammed
Type	Double
Construction width (m)	0,27
Construction height (m)	0,90
Beam shape	3N
Post shape	-
Post distance (m)	1,50
Post length (m)	1,60
Loading capacity (m)	-



Easy Rail 3N DS 1.50 MUF

Steel road guardrail

N2 W2 B



Performances

Containment level	N2
Normalized working width (m)	0,70
Class of normalized working width	W2
Acceleration Severity Index (ASI)	B
Normalized dynamic deflection (m)	0,60
Vehicle Intrusion (VI)	-
THIV (Km/h)	-
Tested length (m)	54,00
CE certificate number	0531-CPR-1317-2153

Geometrical characteristics

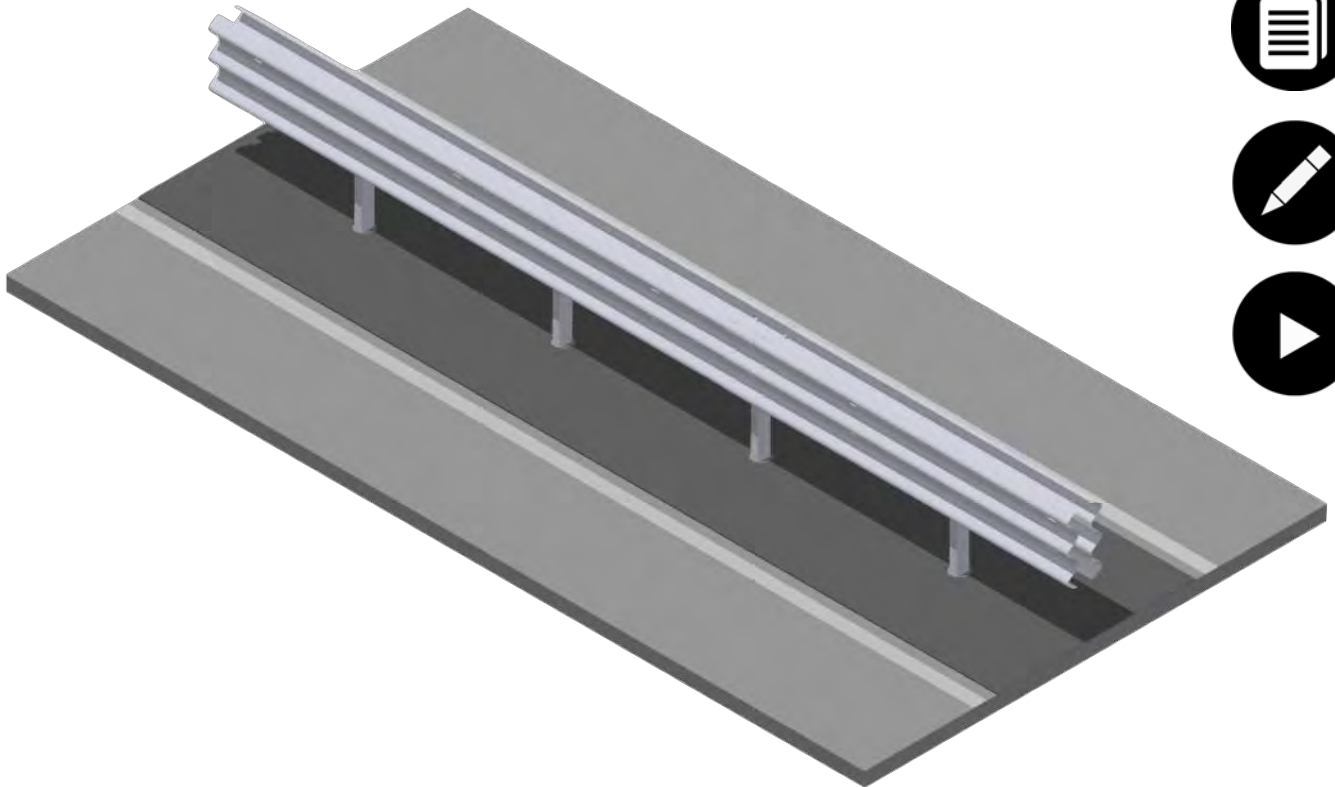
Application	Rammed
Type	Single
Construction width (m)	0,27
Construction height (m)	0,90
Beam shape	3N
Post shape	-
Post distance (m)	1,50
Post length (m)	1,60
Loading capacity (m)	-



Easy Rail 3N DS 1.50 MUF

Steel road guardrail

H2 W4 B



Performances

Containment level	H2
Normalized working width (m)	1,30
Class of normalized working width	W4
Acceleration Severity Index (ASI)	B
Normalized dynamic deflection (m)	1,20
Vehicle Intrusion (VI)	VI5
THIV (Km/h)	-
Tested length (m)	54,00
CE certificate number	0531-CPR-1317-2153

Geometrical characteristics

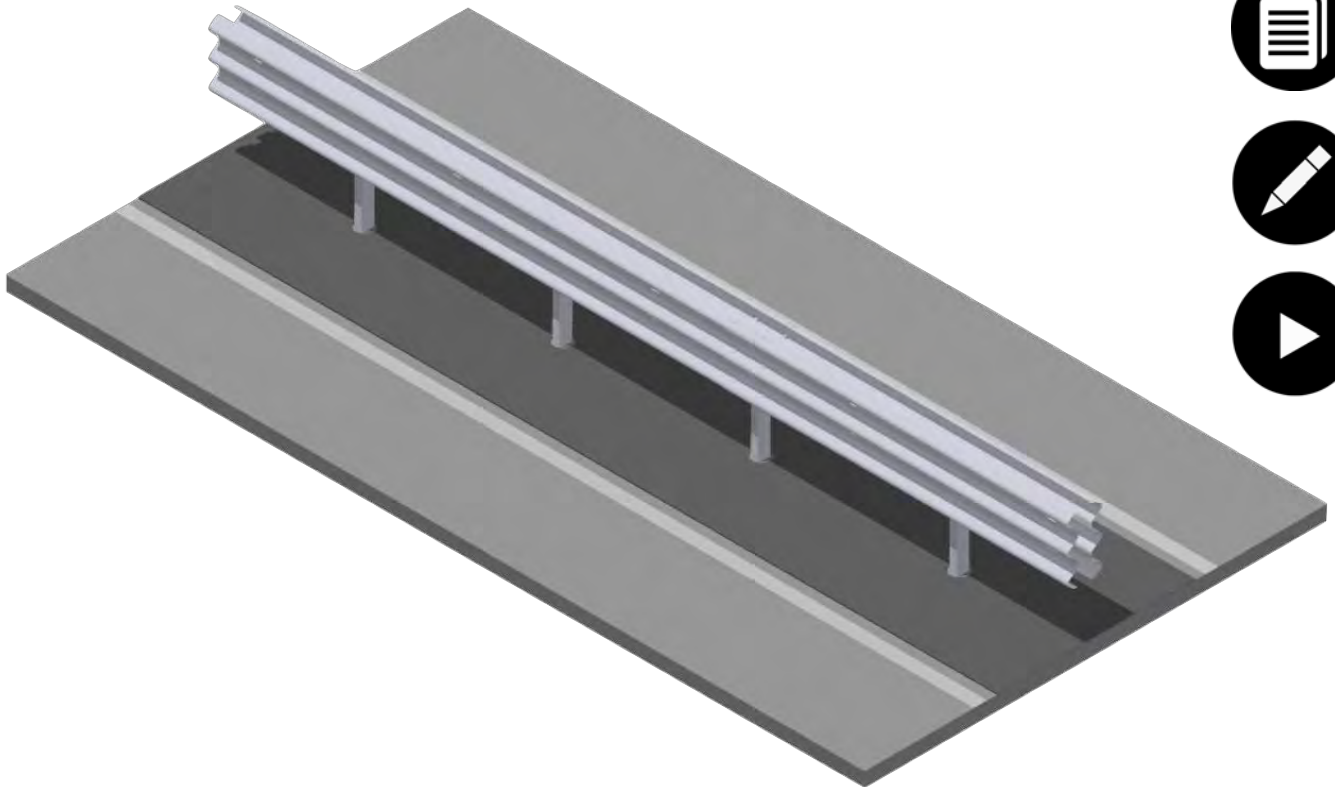
Application	Rammed
Type	Single
Construction width (m)	0,27
Construction height (m)	0,90
Beam shape	3N
Post shape	-
Post distance (m)	1,50
Post length (m)	1,60
Loading capacity (m)	-



Easy Rail 3N DS 1.50 MUF

Steel road guardrail

N2 W2 B



Performances

Containment level	N2
Normalized working width (m)	0,70
Class of normalized working width	W2
Acceleration Severity Index (ASI)	B
Normalized dynamic deflection (m)	0,60
Vehicle Intrusion (VI)	-
THIV (Km/h)	-
Tested length (m)	54,00
CE certificate number	0531-CPR-1317-2153

Geometrical characteristics

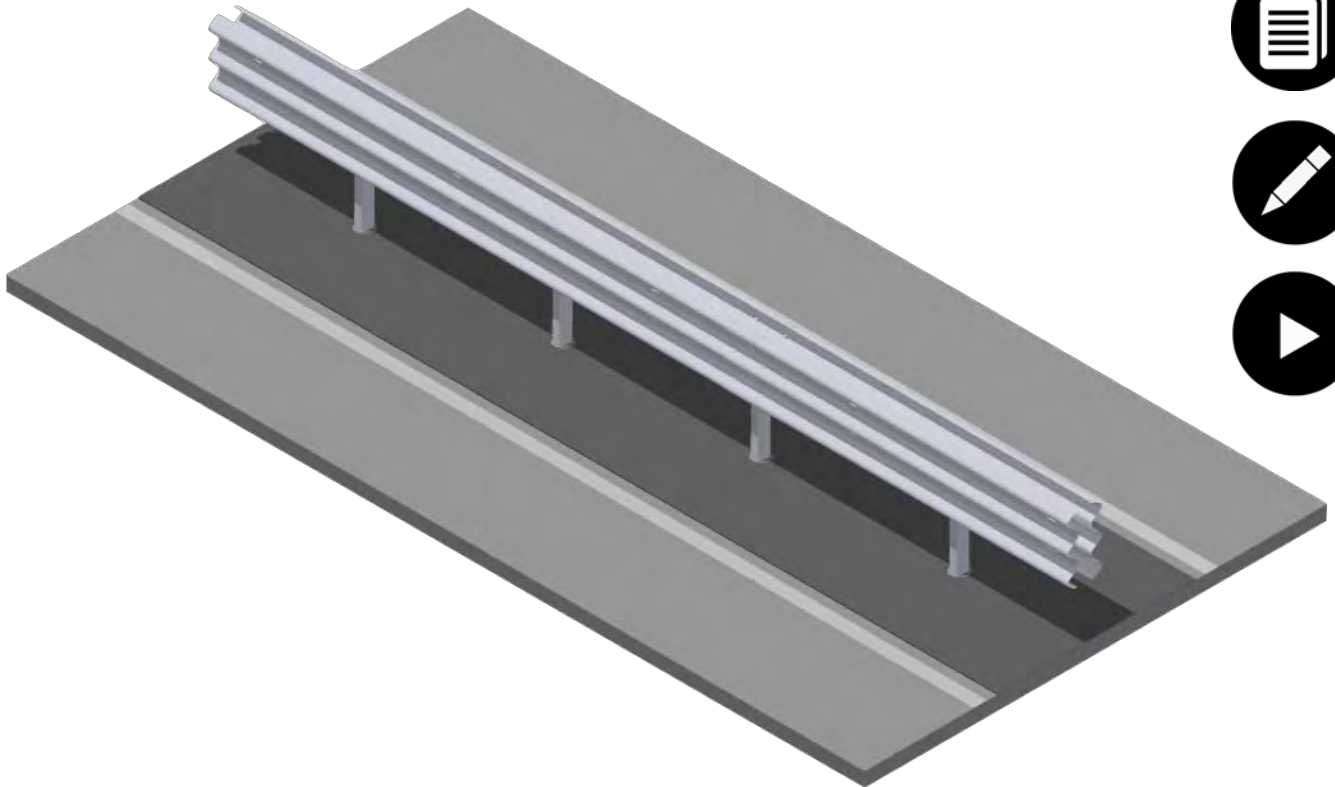
Application	Rammed
Type	Double
Construction width (m)	0,27
Construction height (m)	0,90
Beam shape	3N
Post shape	-
Post distance (m)	1,50
Post length (m)	1,60
Loading capacity (m)	-



Easy Rail 3N DS 1.50 MUF

Steel road guardrail

H2 W4 B



Performances

Containment level	H2
Normalized working width (m)	1,30
Class of normalized working width	W4
Acceleration Severity Index (ASI)	B
Normalized dynamic deflection (m)	1,20
Vehicle Intrusion (VI)	VI5
THIV (Km/h)	-
Tested length (m)	54,00
CE certificate number	0531-CPR-1317-2153

Geometrical characteristics

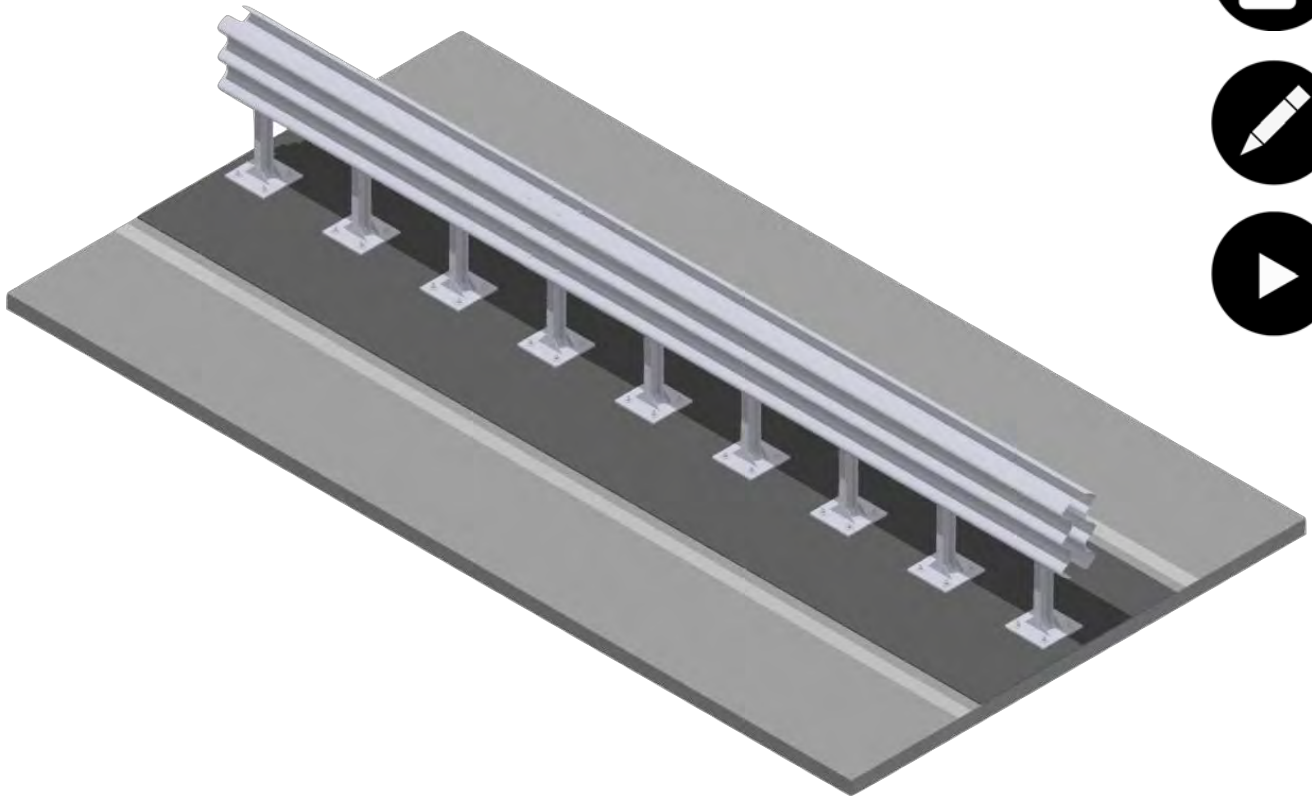
Application	Rammed
Type	Double
Construction width (m)	0,27
Construction height (m)	0,90
Beam shape	3N
Post shape	-
Post distance (m)	1,50
Post length (m)	1,60
Loading capacity (m)	-



Easy Rail 3N DS OS 0.75

Steel road guardrail

N2 W2 B



Performances

Containment level	N2
Normalized working width (m)	0,70
Class of normalized working width	W2
Acceleration Severity Index (ASI)	B
Normalized dynamic deflection (m)	0,50
Vehicle Intrusion (VI)	-
THIV (Km/h)	-
Tested length (m)	54,00
CE certificate number	0531-CPR-1317-2152

Geometrical characteristics

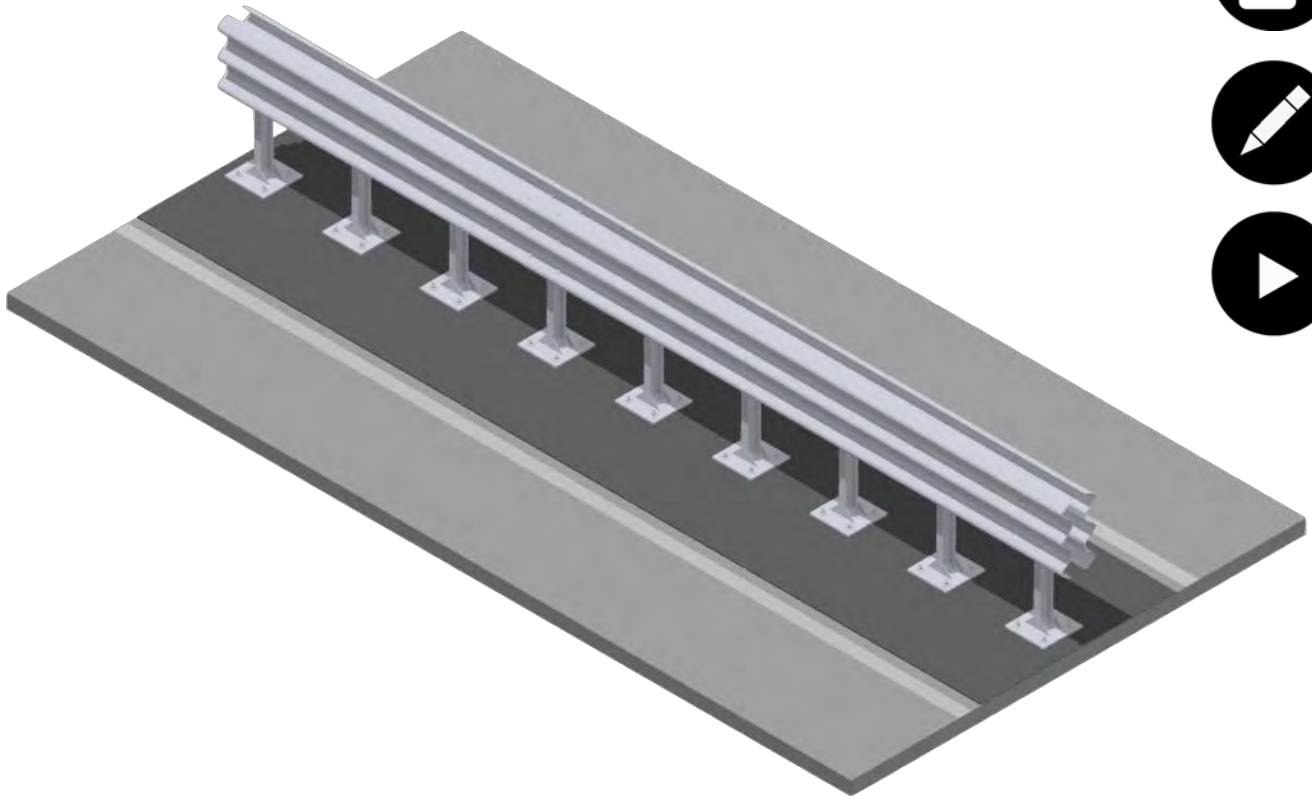
Application	On structures
Type	Double
Construction width (m)	0,27
Construction height (m)	1,00
Beam shape	3N
Post shape	-
Post distance (m)	0,75
Post length (m)	0,89
Loading capacity (m)	-



Easy Rail 3N DS OS 0.75

Steel road guardrail

H2 W2 B



Performances

Containment level	H2
Normalized working width (m)	0,80
Class of normalized working width	W2
Acceleration Severity Index (ASI)	B
Normalized dynamic deflection (m)	0,70
Vehicle Intrusion (VI)	VI4
THIV (Km/h)	-
Tested length (m)	54,00
CE certificate number	0531-CPR-1317-2152

Geometrical characteristics

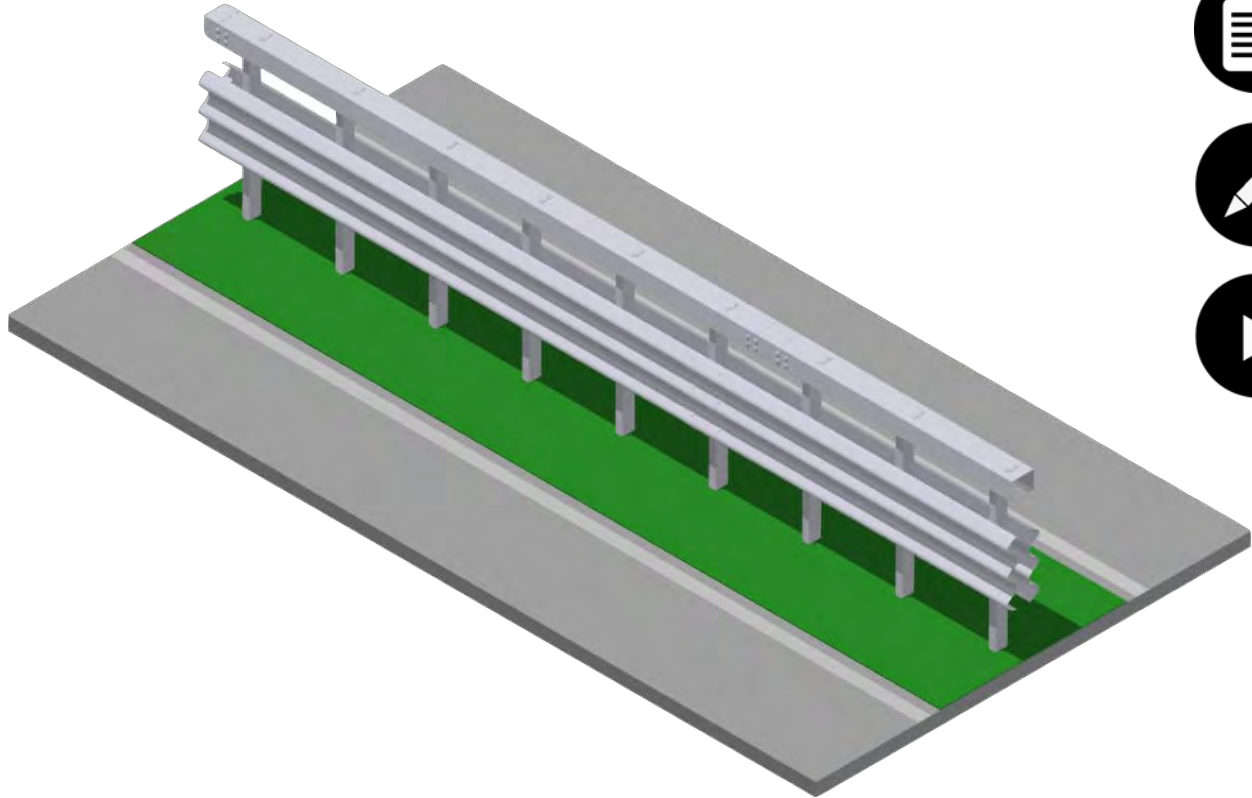
Application	On structures
Type	Double
Construction width (m)	0,27
Construction height (m)	1,00
Beam shape	3N
Post shape	-
Post distance (m)	0,75
Post length (m)	0,89
Loading capacity (m)	-



Easy Rail 3N PLUS DS 0.75

Steel road guardrail

H4b W4 B



Performances

Containment level	H4b
Normalized working width (m)	1,20
Class of normalized working width	W4
Acceleration Severity Index (ASI)	B
Normalized dynamic deflection (m)	0,90
Vehicle Intrusion (VI)	VI5
THIV (Km/h)	-
Tested length (m)	58,50
CE certificate number	0531-CPR-1317-2325

Geometrical characteristics

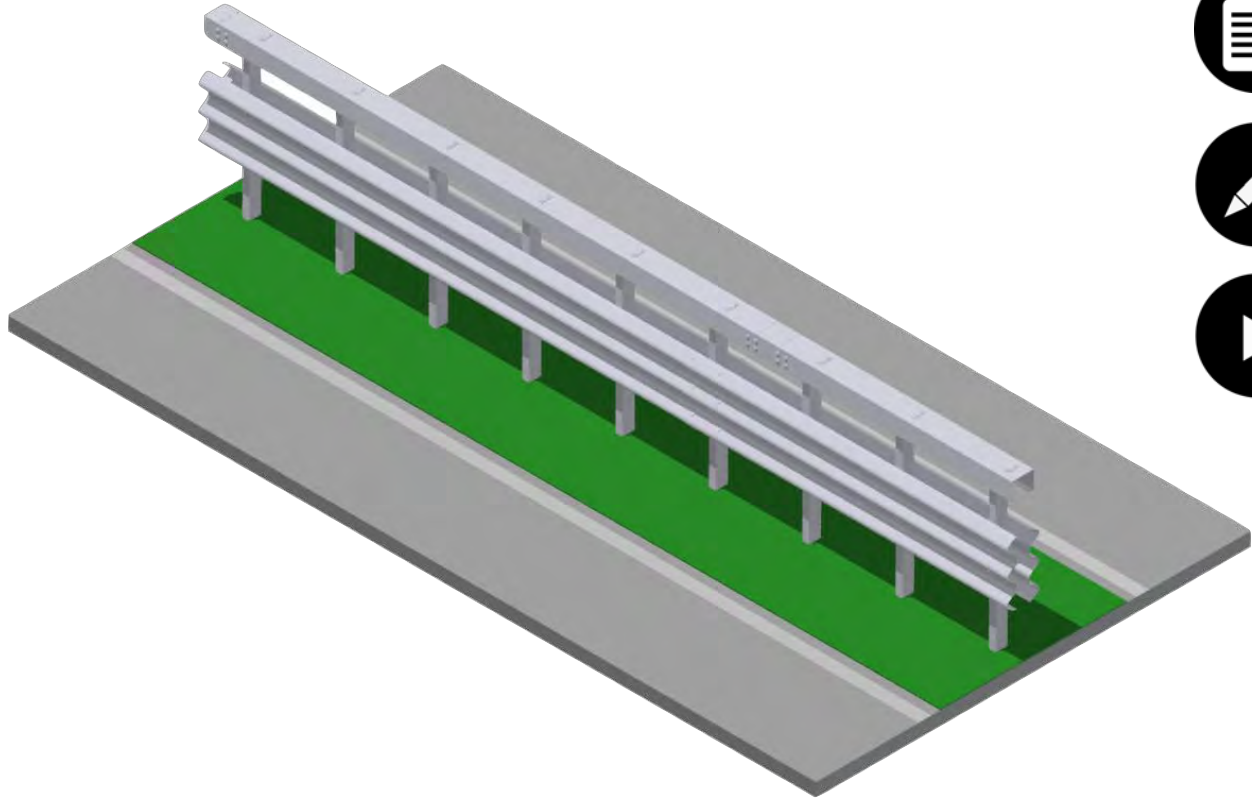
Application	Rammed
Type	Single
Construction width (m)	0,27
Construction height (m)	1,30
Beam shape	3N
Post shape	-
Post distance (m)	0,75
Post length (m)	2,10
Loading capacity (m)	-



Easy Rail 3N PLUS DS 0.75

Steel road guardrail

N2 W1 B



Performances

Containment level	N2
Normalized working width (m)	0,40
Class of normalized working width	W1
Acceleration Severity Index (ASI)	B
Normalized dynamic deflection (m)	0,40
Vehicle Intrusion (VI)	-
THIV (Km/h)	-
Tested length (m)	58,50
CE certificate number	0531-CPR-1317-2325

Geometrical characteristics

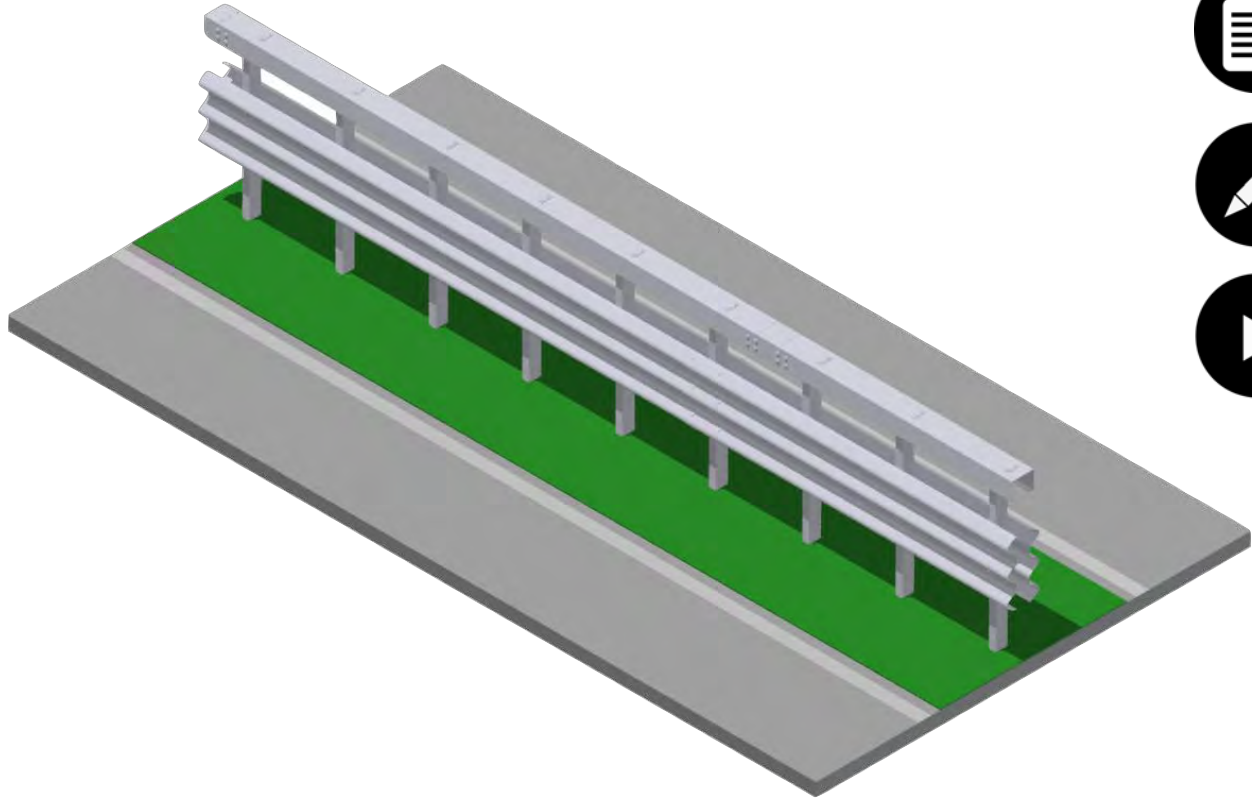
Application	Rammed
Type	Double
Construction width (m)	0,27
Construction height (m)	1,30
Beam shape	3N
Post shape	-
Post distance (m)	0,75
Post length (m)	2,10
Loading capacity (m)	-



Easy Rail 3N PLUS DS 0.75

Steel road guardrail

H4b W4 B



Performances

Containment level	H4b
Normalized working width (m)	1,20
Class of normalized working width	W4
Acceleration Severity Index (ASI)	B
Normalized dynamic deflection (m)	0,90
Vehicle Intrusion (VI)	VI5
THIV (Km/h)	-
Tested length (m)	58,50
CE certificate number	0531-CPR-1317-2325

Geometrical characteristics

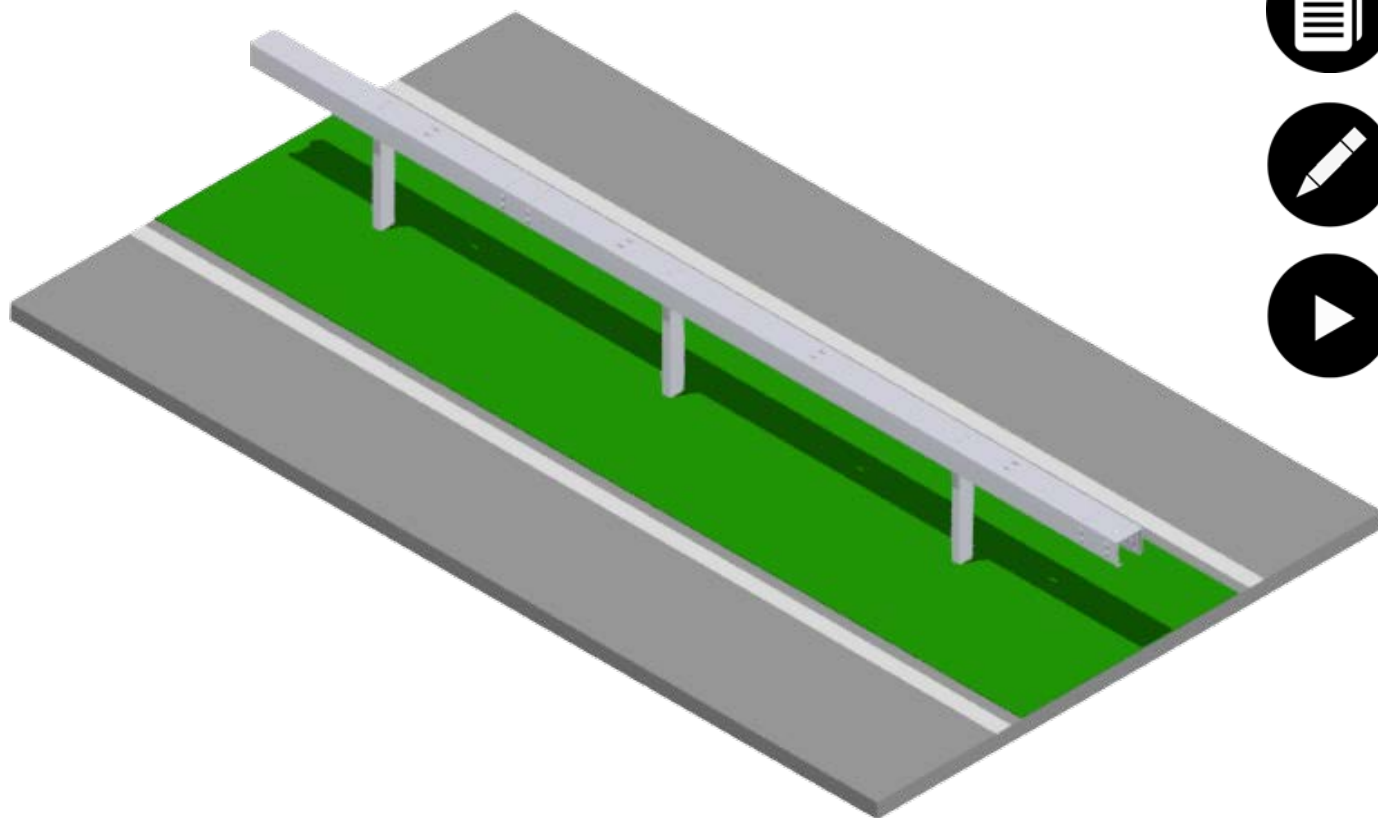
Application	Rammed
Type	Double
Construction width (m)	0,27
Construction height (m)	1,30
Beam shape	3N
Post shape	-
Post distance (m)	0,75
Post length (m)	2,10
Loading capacity (m)	-



Easy Rail OBB 2.0

Steel road guardrail

H1 W5 A



Performances

Containment level	H1
Normalized working width (m)	1,50
Class of normalized working width	W5
Acceleration Severity Index (ASI)	A
Normalized dynamic deflection (m)	1,30
Vehicle Intrusion (VI)	VI7
THIV (Km/h)	-
Tested length (m)	64,00
CE certificate number	0531-CPR-1317-2920

Geometrical characteristics

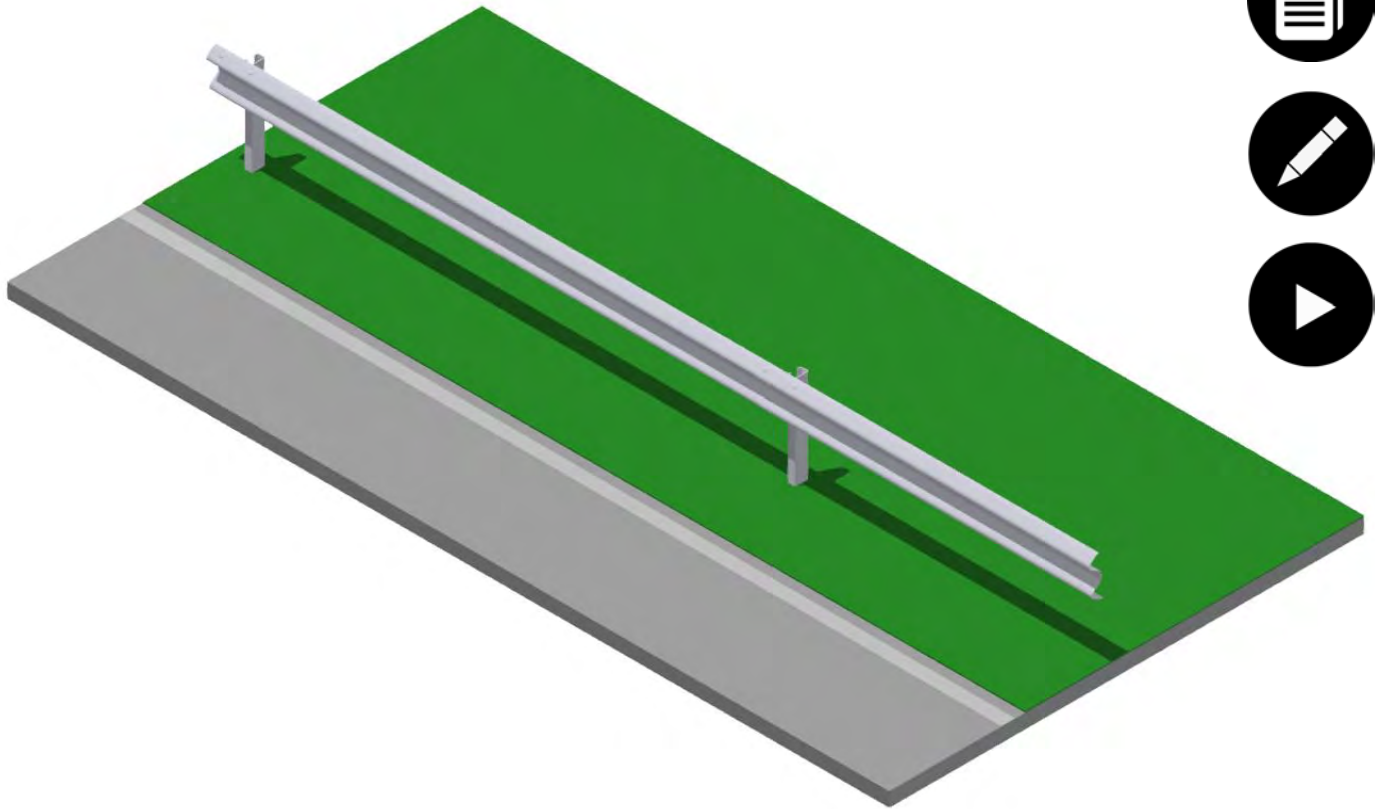
Application	Rammed
Type	Single
Construction width (m)	0,18
Construction height (m)	0,72
Beam shape	BOX BEAM
Post shape	C100
Post distance (m)	2,00
Post length (m)	1,75
Loading capacity (m)	-



Easy Rail 4.00

Steel road guardrail

N2 W4 A



Performances

Containment level	N2
Normalized working width (m)	1,30
Class of normalized working width	W4
Acceleration Severity Index (ASI)	A
Normalized dynamic deflection (m)	1,20
Vehicle Intrusion (VI)	-
THIV (Km/h)	-
Tested length (m)	80,00
CE certificate number	0531-CPR-1317-1042

Geometrical characteristics

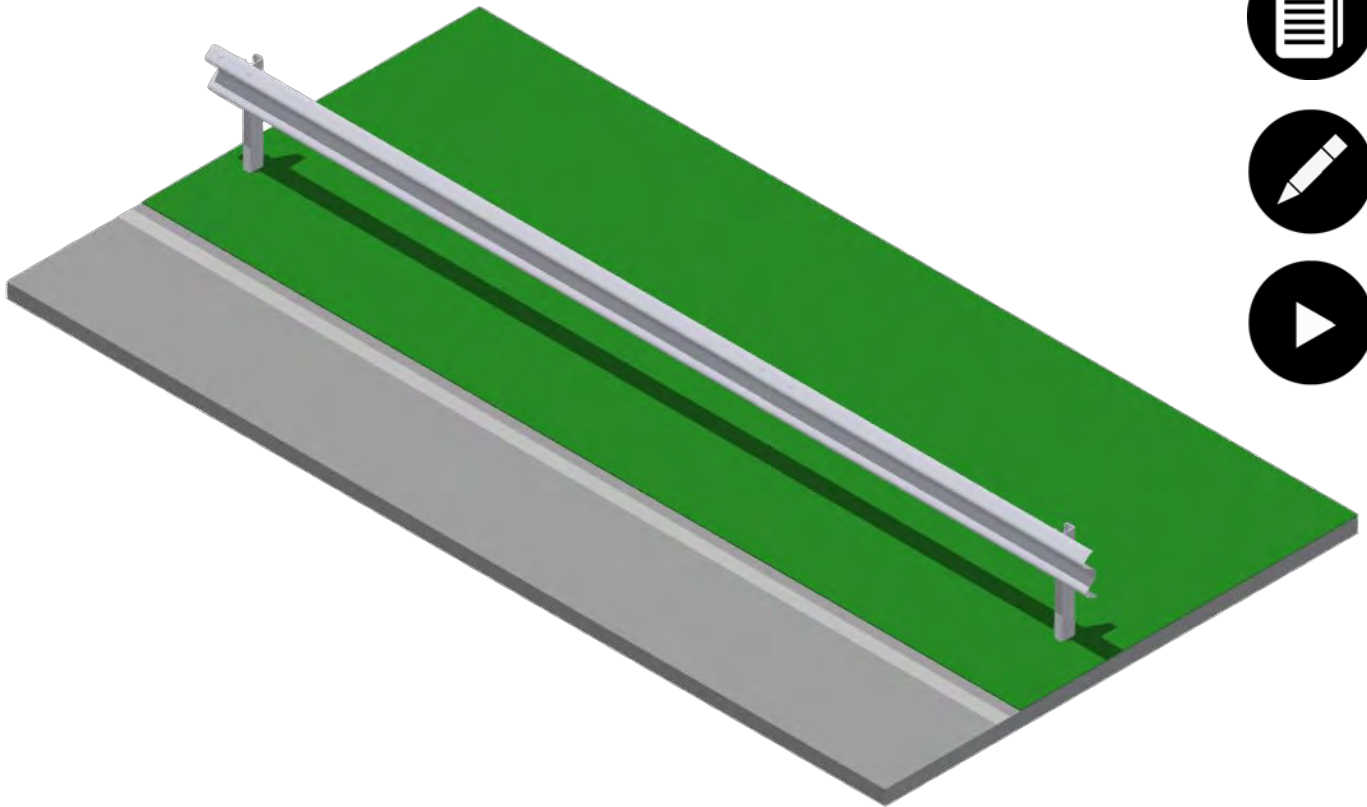
Application	Rammed
Type	Single
Construction width (m)	0,21
Construction height (m)	0,75
Beam shape	A/B
Post shape	-
Post distance (m)	4,00
Post length (m)	1,75
Loading capacity (m)	-



Easy Rail 6.00

Steel road guardrail

N2 W5 A



Performances

Containment level	N2
Normalized working width (m)	1,70
Class of normalized working width	W5
Acceleration Severity Index (ASI)	A
Normalized dynamic deflection (m)	1,60
Vehicle Intrusion (VI)	-
THIV (Km/h)	-
Tested length (m)	84,00
CE certificate number	0070-CPR-2011

Geometrical characteristics

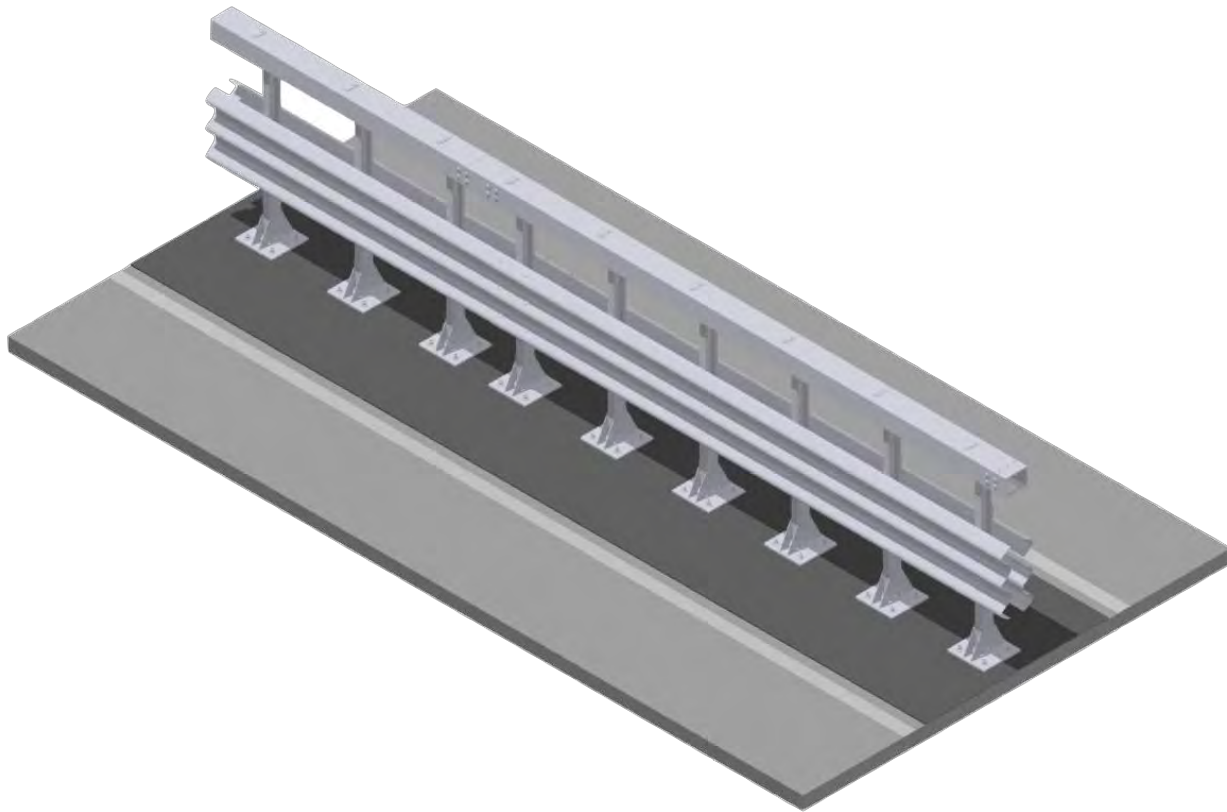
Application	Rammed
Type	Single
Construction width (m)	0,21
Construction height (m)	0,75
Beam shape	A/B
Post shape	-
Post distance (m)	6,00
Post length (m)	1,75
Loading capacity (m)	-



Easy Rail Plus DS OS 0.75

Steel road guardrail

H4b W3 B



Performances

Containment level	H4b
Normalized working width (m)	0,90
Class of normalized working width	W3
Acceleration Severity Index (ASI)	B
Normalized dynamic deflection (m)	0,80
Vehicle Intrusion (VI)	VI7
THIV (Km/h)	-
Tested length (m)	81,00
CE certificate number	0531-CPR-1317-2561

Geometrical characteristics

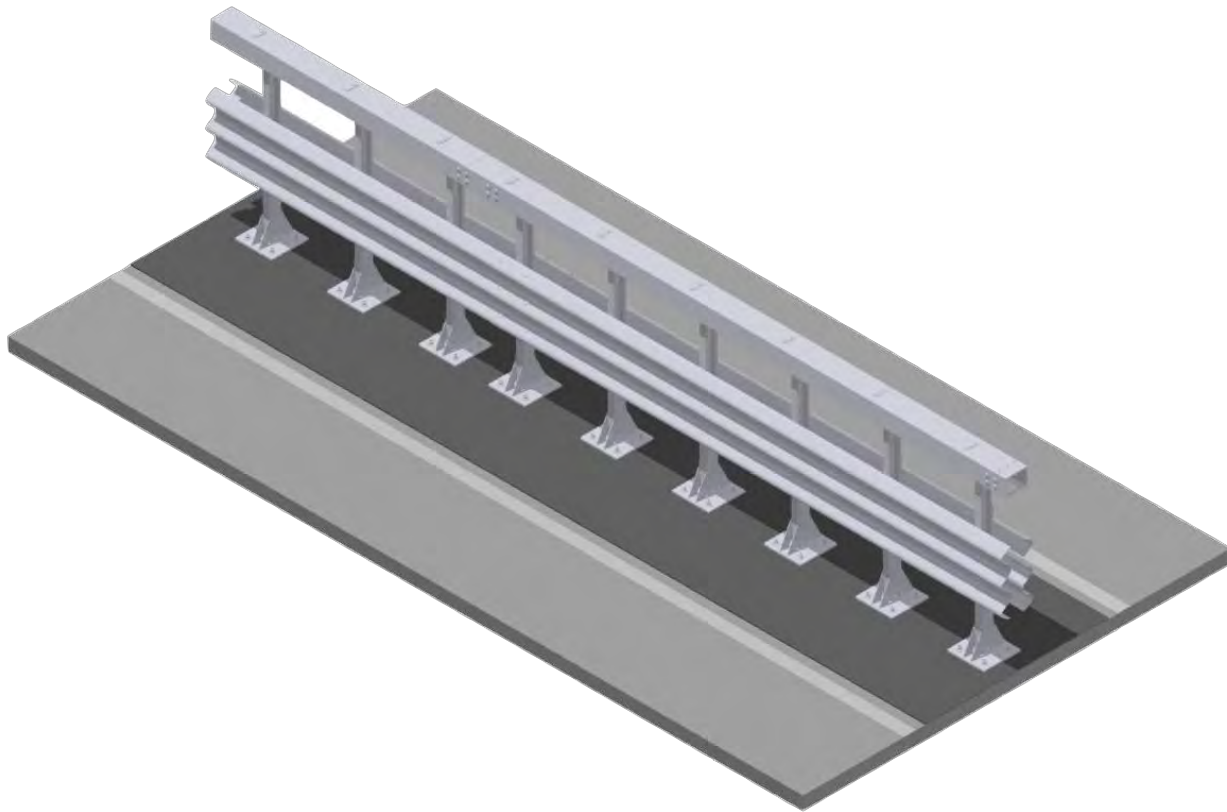
Application	On structures
Type	Single
Construction width (m)	0,27
Construction height (m)	1,40
Beam shape	3N
Post shape	-
Post distance (m)	0,75
Post length (m)	1,40
Loading capacity (m)	-



Easy Rail Plus DS OS 0.75

Steel road guardrail

H4b W3 B



Performances

Containment level	H4b
Normalized working width (m)	0,90
Class of normalized working width	W3
Acceleration Severity Index (ASI)	B
Normalized dynamic deflection (m)	0,80
Vehicle Intrusion (VI)	VI7
THIV (Km/h)	-
Tested length (m)	81,00
CE certificate number	0531-CPR-1317-2561

Geometrical characteristics

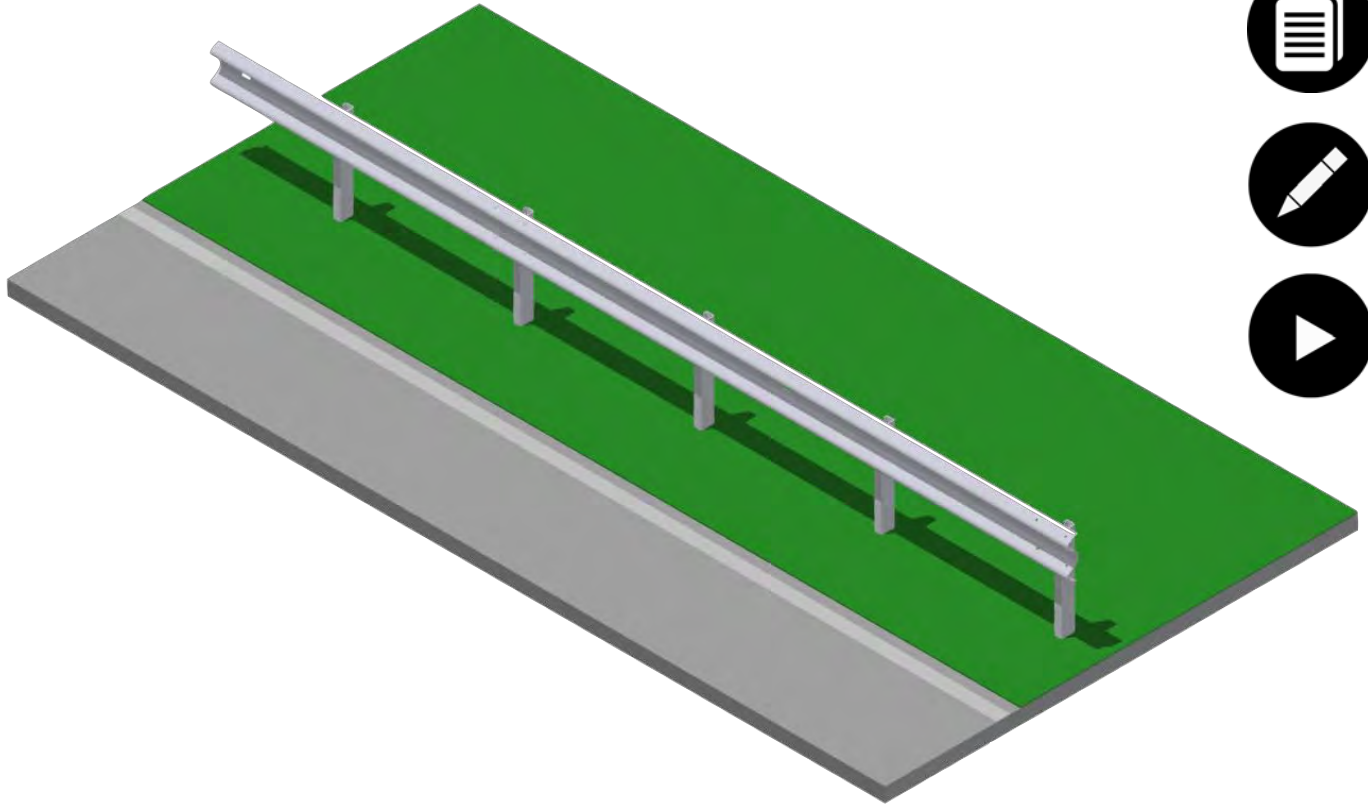
Application	On structures
Type	Double
Construction width (m)	0,27
Construction height (m)	1,40
Beam shape	3N
Post shape	-
Post distance (m)	0,75
Post length (m)	1,40
Loading capacity (m)	-



Easy Rail XS 1.33

Steel road guardrail

N2 W2 A



Performances

Containment level	N2
Normalized working width (m)	0,80
Class of normalized working width	W2
Acceleration Severity Index (ASI)	A
Normalized dynamic deflection (m)	0,70
Vehicle Intrusion (VI)	-
THIV (Km/h)	-
Tested length (m)	44,00
CE certificate number	0531-CPR-1317-1196

Geometrical characteristics

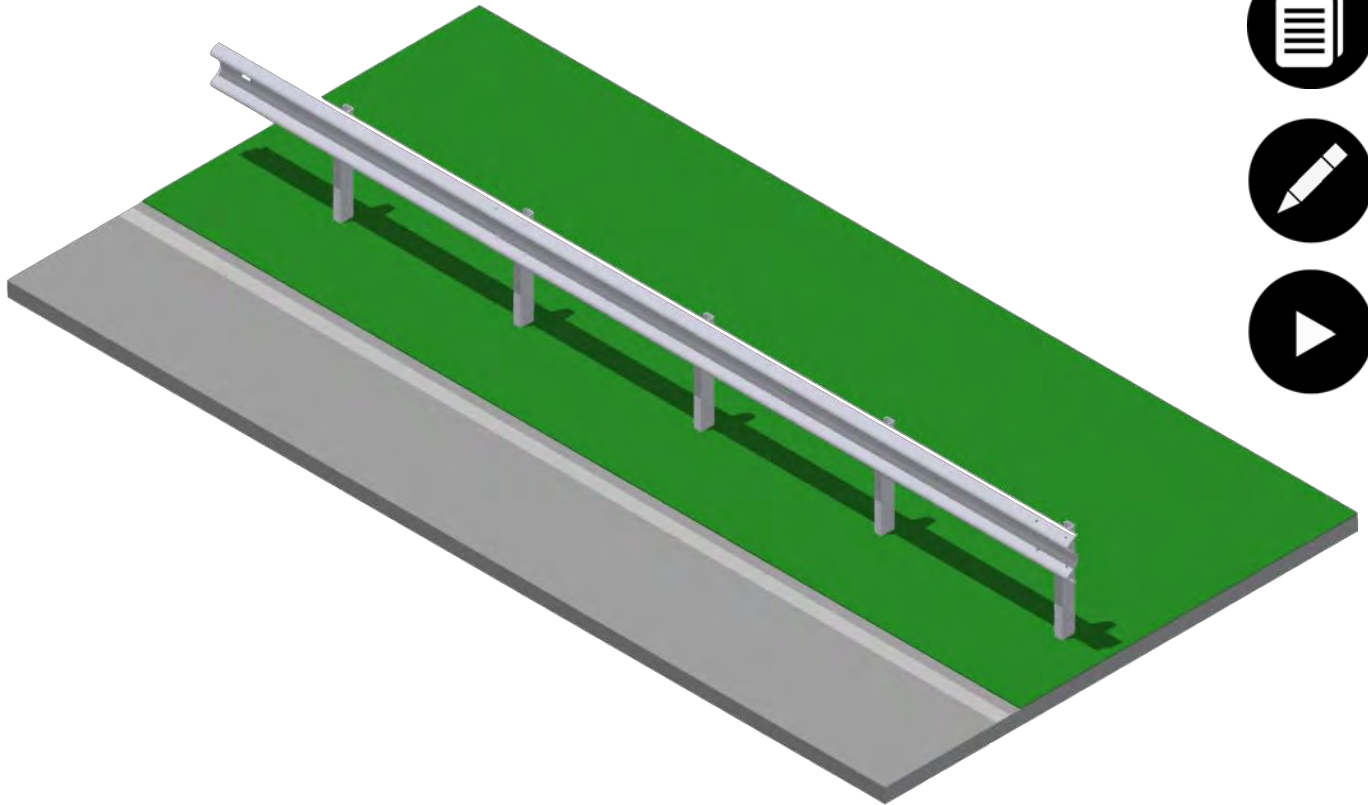
Application	Rammed
Type	Single
Construction width (m)	0,18
Construction height (m)	0,75
Beam shape	A/B
Post shape	-
Post distance (m)	1,33
Post length (m)	1,60
Loading capacity (m)	-



Easy Rail XS 1.33

Steel road guardrail

H1 W3 A



Performances

Containment level	H1
Normalized working width (m)	0,90
Class of normalized working width	W3
Acceleration Severity Index (ASI)	A
Normalized dynamic deflection (m)	0,80
Vehicle Intrusion (VI)	VI4
THIV (Km/h)	-
Tested length (m)	52,00
CE certificate number	0531-CPR-1317-1196

Geometrical characteristics

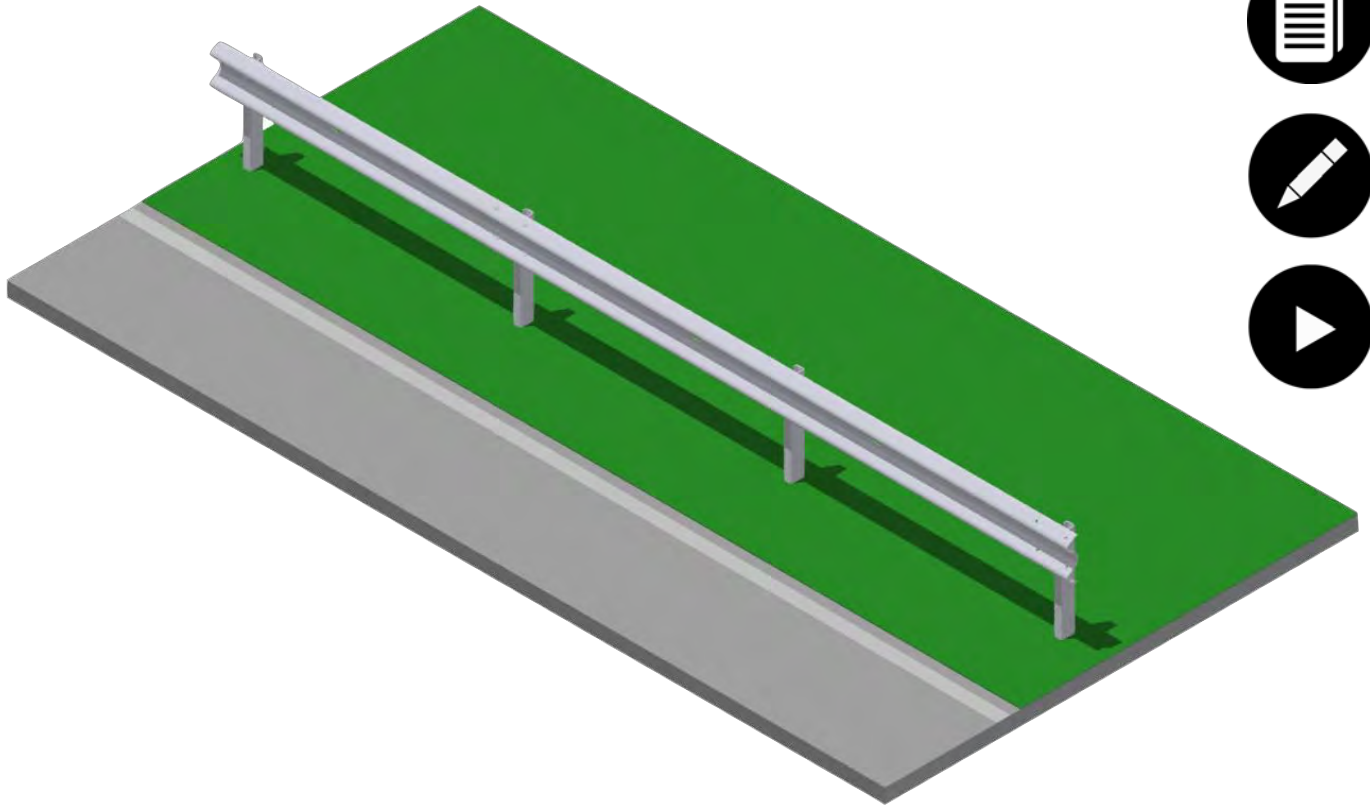
Application	Rammed
Type	Single
Construction width (m)	0,18
Construction height (m)	0,75
Beam shape	A/B
Post shape	-
Post distance (m)	1,33
Post length (m)	1,60
Loading capacity (m)	-



Easy Rail XS 2.00

Steel road guardrail

N2 W3 A



Performances

Containment level	N2
Normalized working width (m)	1,00
Class of normalized working width	W3
Acceleration Severity Index (ASI)	A
Normalized dynamic deflection (m)	0,90
Vehicle Intrusion (VI)	-
THIV (Km/h)	-
Tested length (m)	48,00
CE certificate number	0531-CPR-1317-1059

Geometrical characteristics

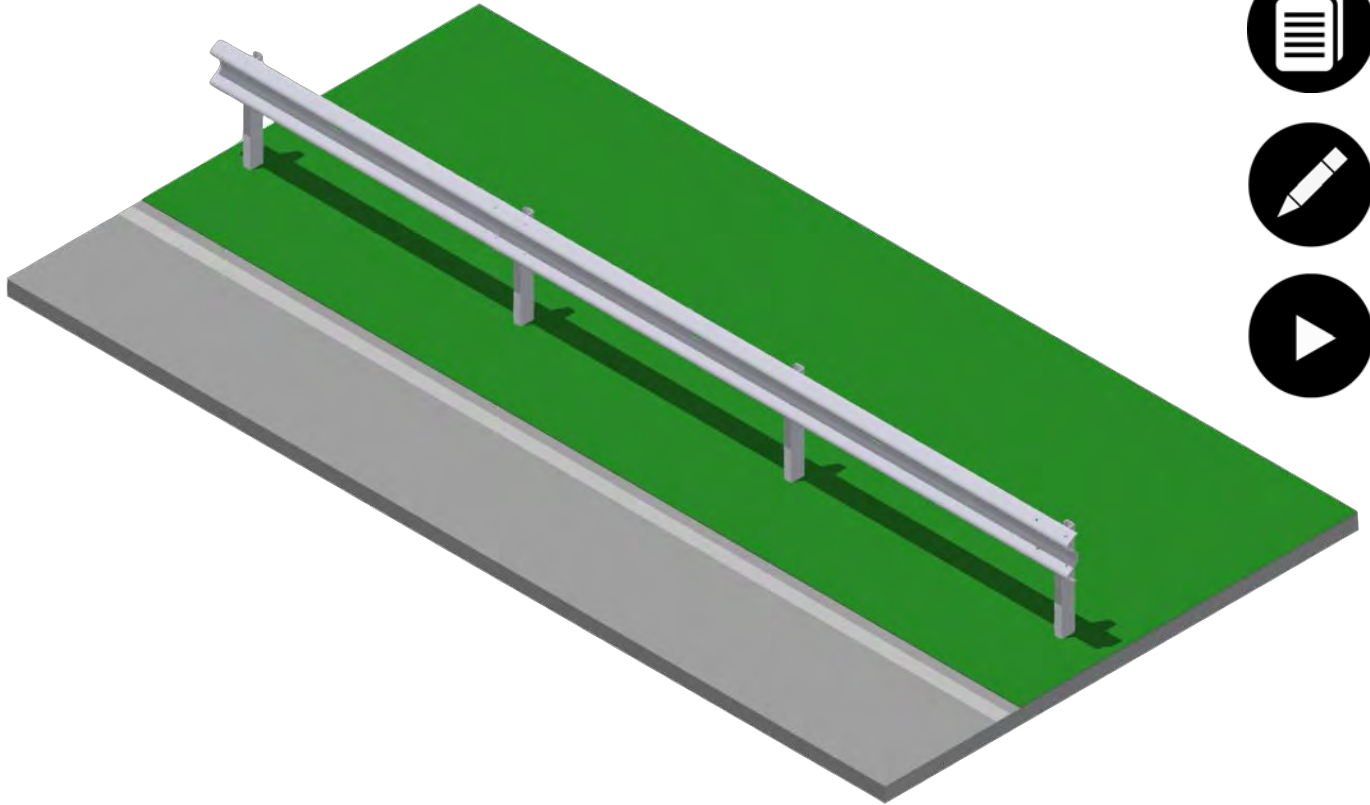
Application	Rammed
Type	Single
Construction width (m)	0,18
Construction height (m)	0,75
Beam shape	A/B
Post shape	-
Post distance (m)	2,00
Post length (m)	1,60
Loading capacity (m)	-



Easy Rail XS 2.00

Steel road guardrail

H1 W4 A



Performances

Containment level	H1
Normalized working width (m)	1,20
Class of normalized working width	W4
Acceleration Severity Index (ASI)	A
Normalized dynamic deflection (m)	1,20
Vehicle Intrusion (VI)	VI7
THIV (Km/h)	-
Tested length (m)	60,00
CE certificate number	0531-CPR-1317-1059

Geometrical characteristics

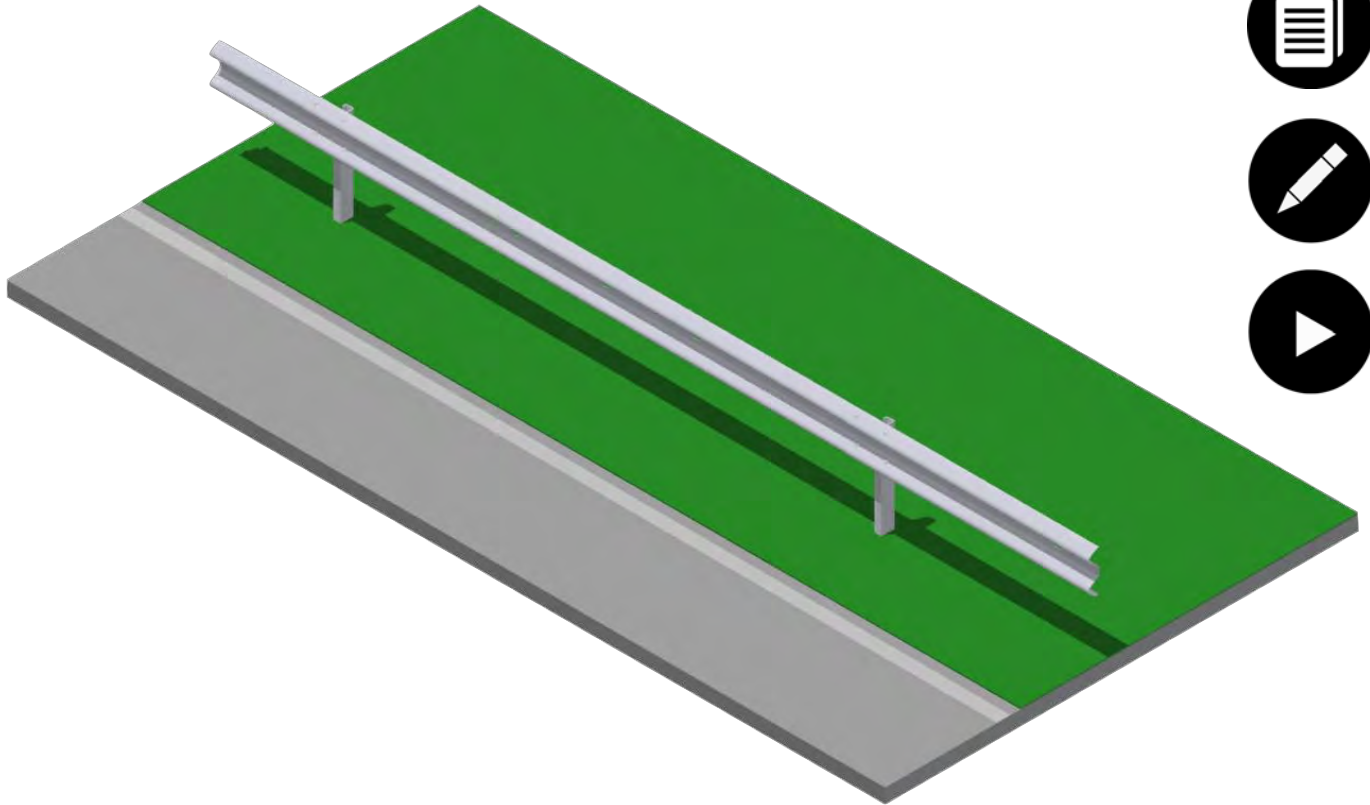
Application	Rammed
Type	Single
Construction width (m)	0,18
Construction height (m)	0,75
Beam shape	A/B
Post shape	-
Post distance (m)	2,00
Post length (m)	1,60
Loading capacity (m)	-



Easy Rail XS 4.00

Steel road guardrail

N2 W4 A



Performances

Containment level	N2
Normalized working width (m)	1,30
Class of normalized working width	W4
Acceleration Severity Index (ASI)	A
Normalized dynamic deflection (m)	1,30
Vehicle Intrusion (VI)	-
THIV (Km/h)	-
Tested length (m)	44,00
CE certificate number	0531-CPR-1317-1234

Geometrical characteristics

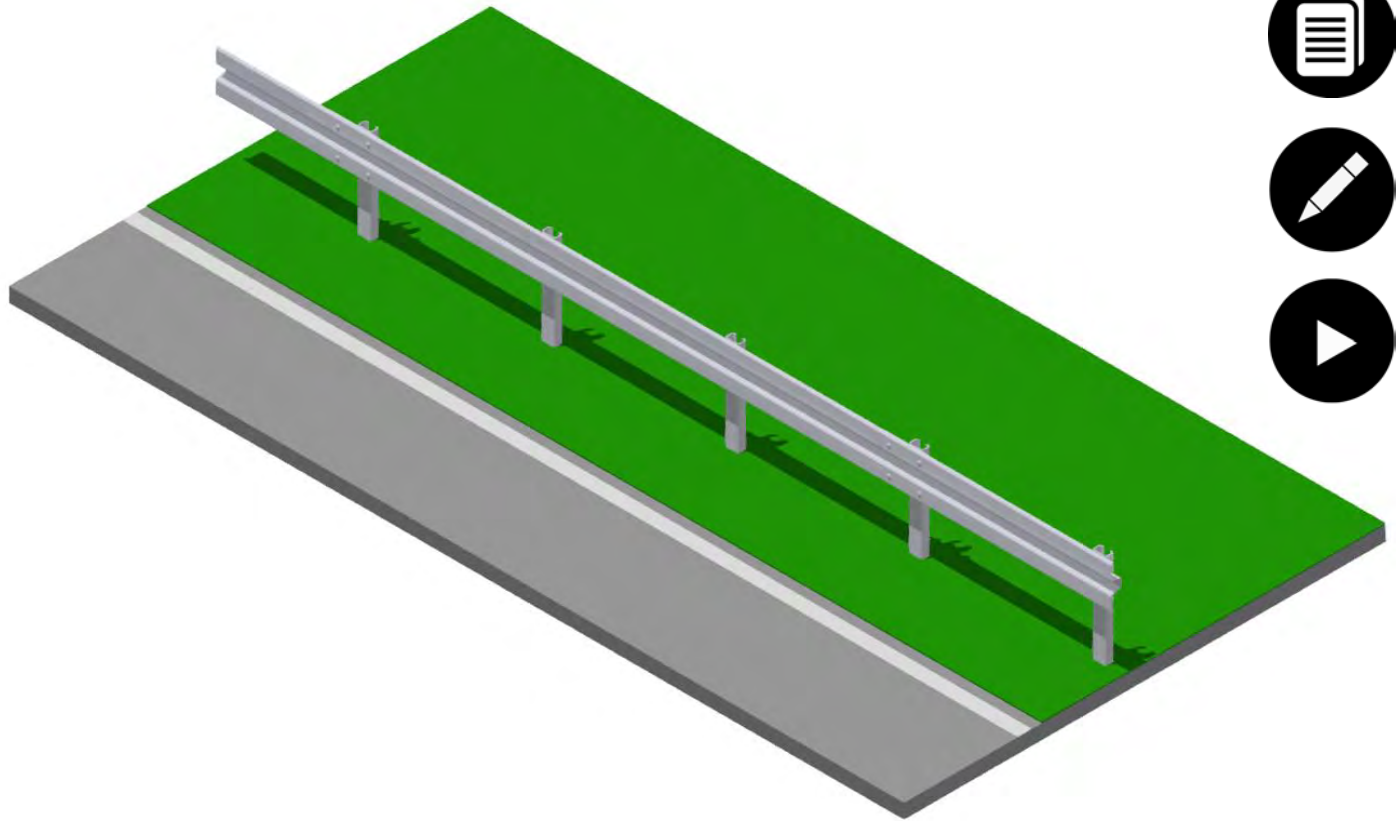
Application	Rammed
Type	Single
Construction width (m)	0,18
Construction height (m)	0,75
Beam shape	A/B
Post shape	-
Post distance (m)	4,00
Post length (m)	1,60
Loading capacity (m)	-



Eco Safe 1.33

Steel road guardrail

H1 W3 A



Performances

Containment level	H1
Normalized working width (m)	1,00
Class of normalized working width	W3
Acceleration Severity Index (ASI)	A
Normalized dynamic deflection (m)	0,80
Vehicle Intrusion (VI)	2,2
THIV (Km/h)	30
Tested length (m)	48,00
CE certificate number	0531-CPR-1317-1581

Geometrical characteristics

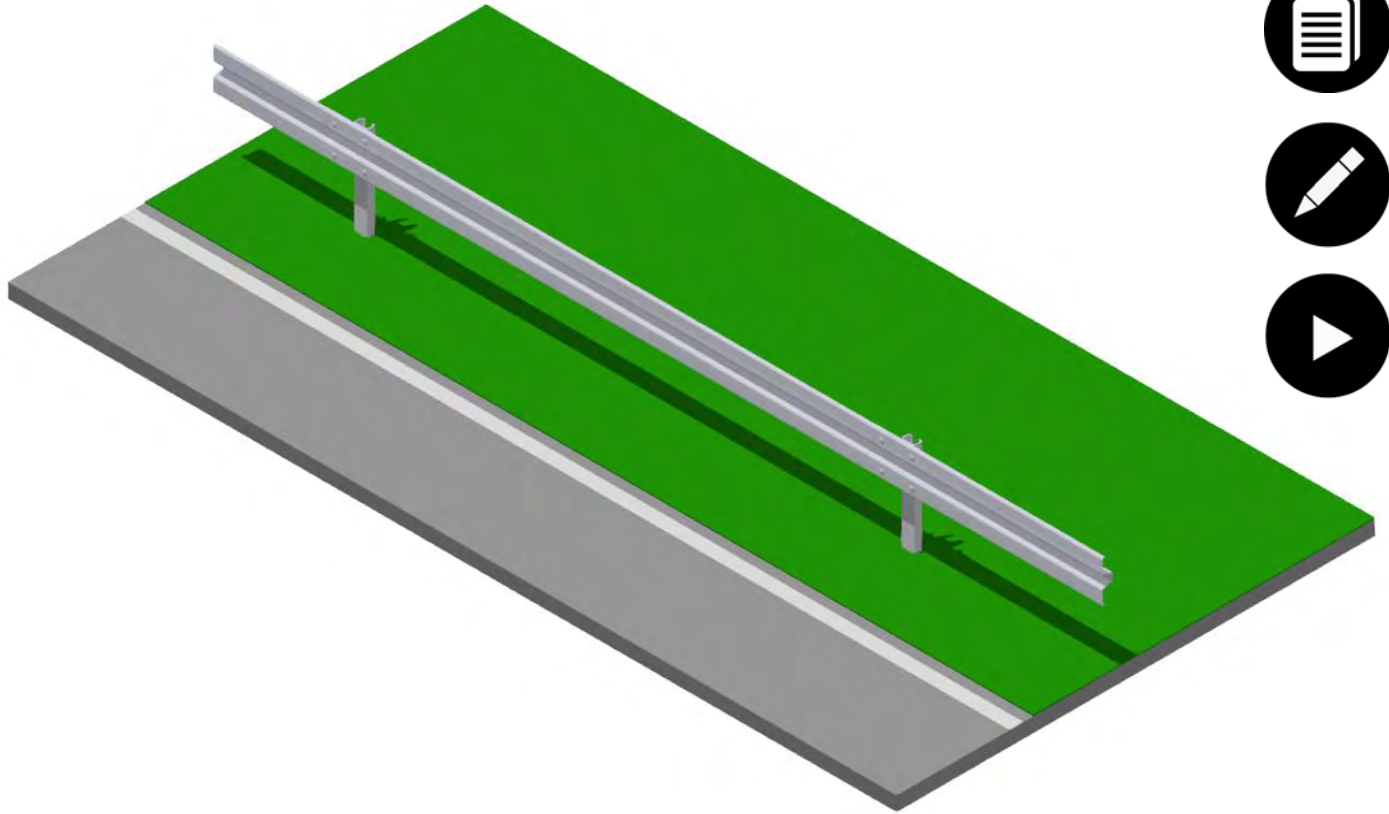
Application	Rammed
Type	Single
Construction width (m)	0,148
Construction height (m)	0,75
Beam shape	A/B
Post shape	C 100
Post distance (m)	1,33
Post length (m)	1,70
Loading capacity (m)	-



Eco Safe 4.0

Steel road guardrail

N2 W5 A



Performances

Containment level	N2
Normalized working width (m)	1,70
Class of normalized working width	W5
Acceleration Severity Index (ASI)	A
Normalized dynamic deflection (m)	1,60
Vehicle Intrusion (VI)	-
THIV (Km/h)	30
Tested length (m)	48,00
CE certificate number	0531-CPR-1317-1589

Geometrical characteristics

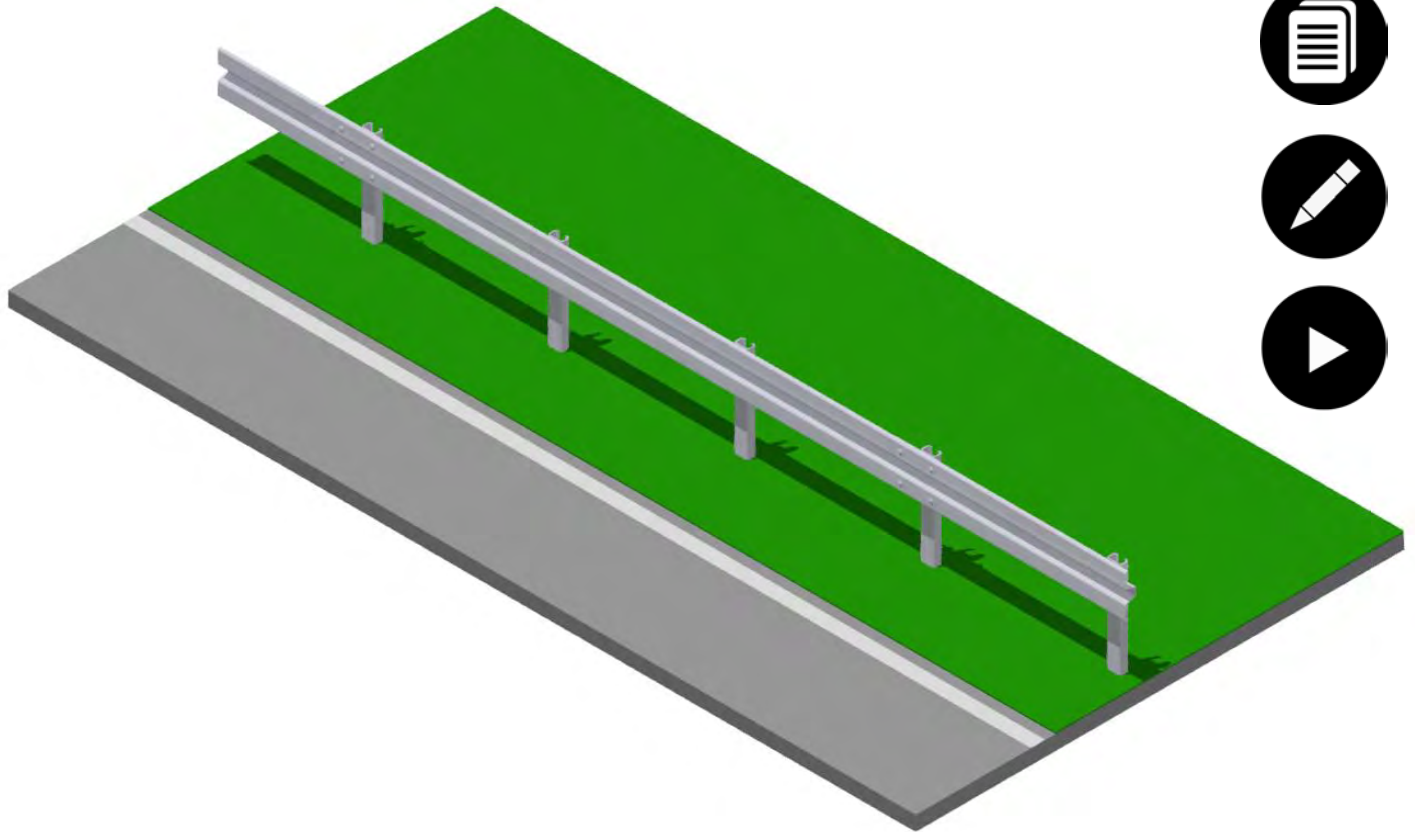
Application	Rammed
Type	Single
Construction width (m)	0,148
Construction height (m)	0,75
Beam shape	A/B
Post shape	C 100
Post distance (m)	4,00
Post length (m)	1,70
Loading capacity (m)	-



Eco-Safe 1.33

Steel road guardrail

N2 W3 A



Performances

Containment level	N2
Normalized working width (m)	0,90
Class of normalized working width	W3
Acceleration Severity Index (ASI)	A
Normalized dynamic deflection (m)	0,80
Vehicle Intrusion (VI)	-
THIV (Km/h)	30
Tested length (m)	48,00
CE certificate number	0531-CPR-1317-1581

Geometrical characteristics

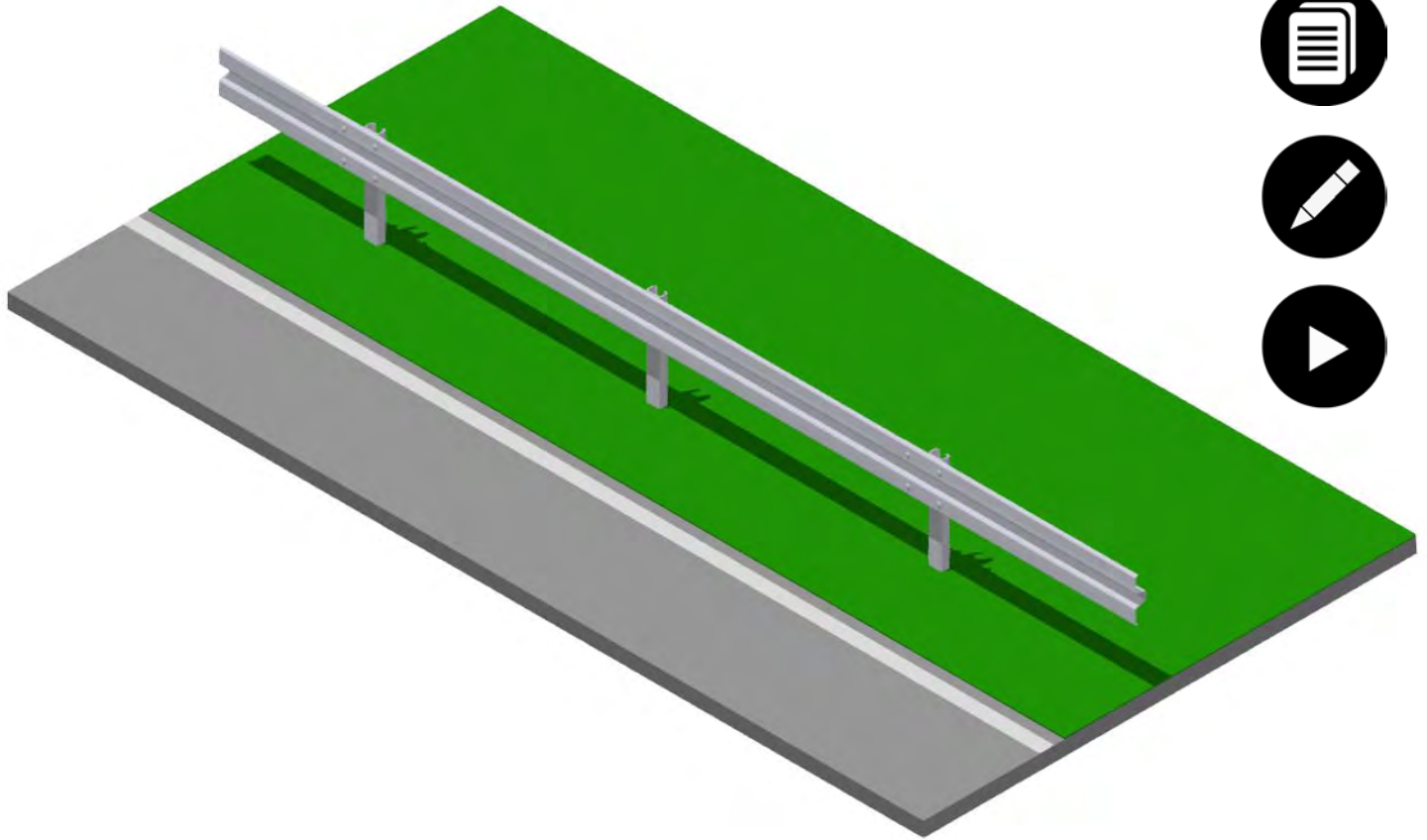
Application	Rammed
Type	Single
Construction width (m)	0,148
Construction height (m)	0,75
Beam shape	A/B
Post shape	C 100
Post distance (m)	1,33
Post length (m)	1,70
Loading capacity (m)	1000,00



Eco-Safe 2.0

Steel road guardrail

N2 W3 A



Performances

Containment level	N2
Normalized working width (m)	1,00
Class of normalized working width	W3
Acceleration Severity Index (ASI)	A
Normalized dynamic deflection (m)	0,90
Vehicle Intrusion (VI)	-
THIV (Km/h)	30
Tested length (m)	48,00
CE certificate number	0531-CPR-1317-1644

Geometrical characteristics

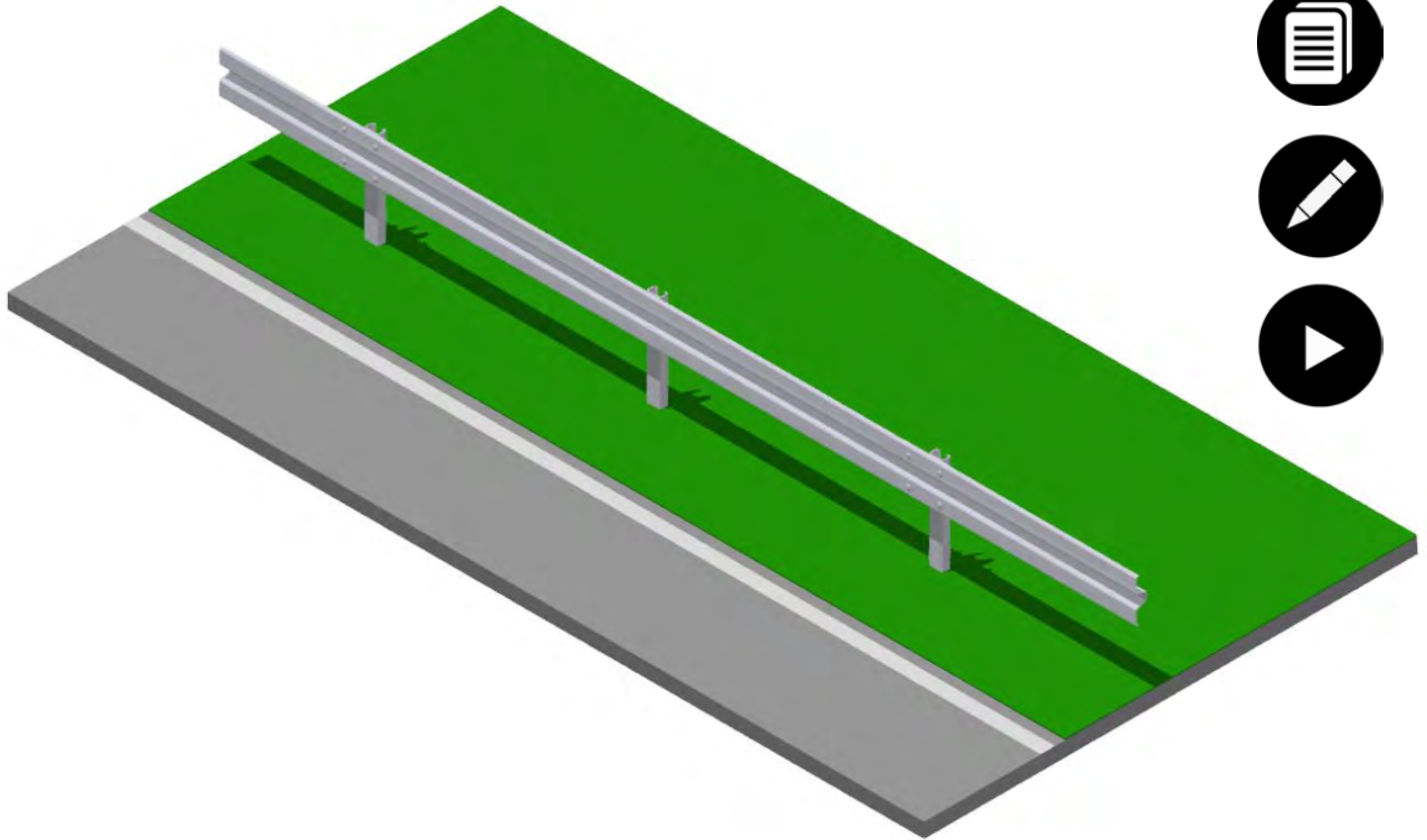
Application	Rammed
Type	Single
Construction width (m)	0,148
Construction height (m)	0,75
Beam shape	A/B
Post shape	C 100
Post distance (m)	2,00
Post length (m)	1,70
Loading capacity (m)	-



Eco-Safe 2.0

Steel road guardrail

H1 W4 A



Performances

Containment level	H1
Normalized working width (m)	1,30
Class of normalized working width	W4
Acceleration Severity Index (ASI)	A
Normalized dynamic deflection (m)	1,20
Vehicle Intrusion (VI)	2,1
THIV (Km/h)	30
Tested length (m)	48,00
CE certificate number	0531-CPR-1317-1644

Geometrical characteristics

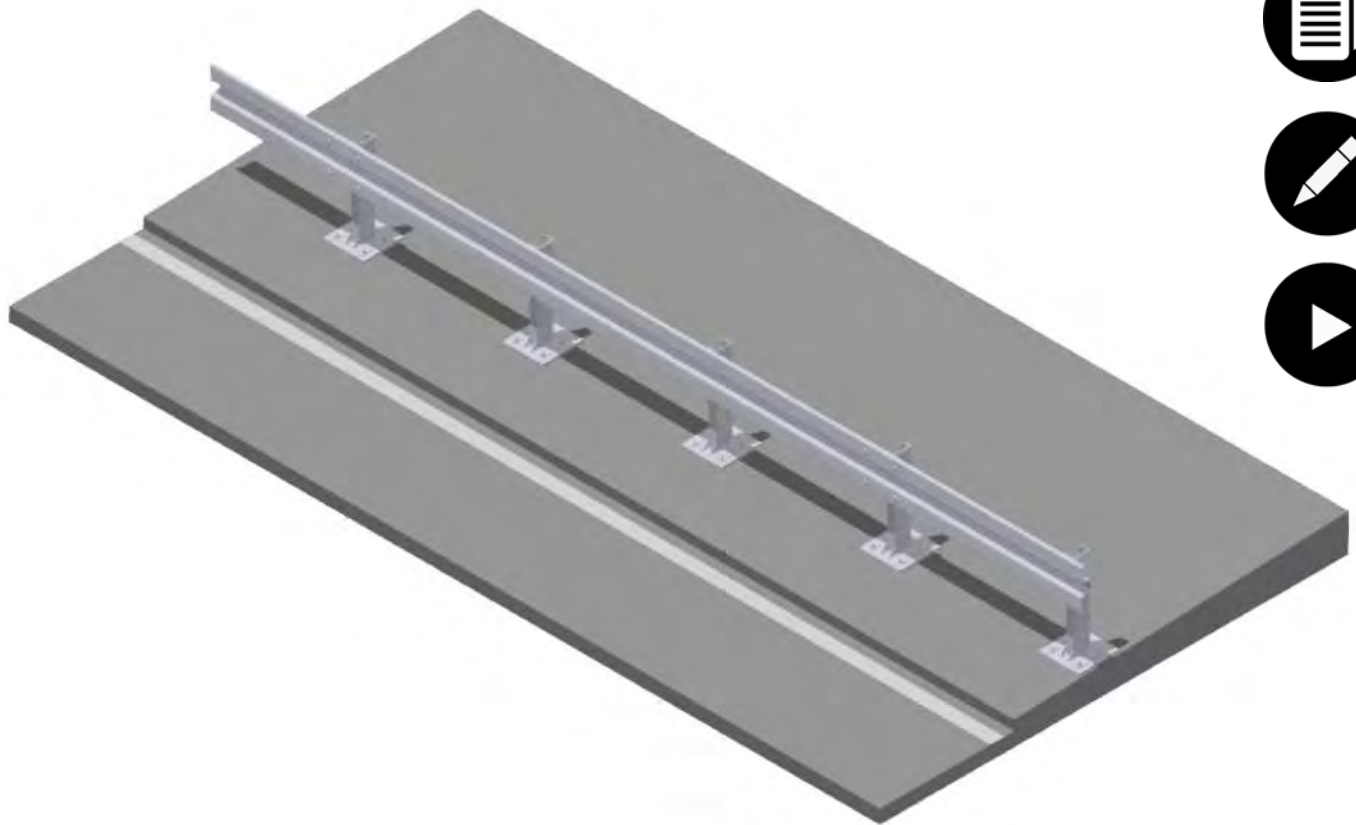
Application	Rammed
Type	Single
Construction width (m)	0,148
Construction height (m)	0,75
Beam shape	A/B
Post shape	C 100
Post distance (m)	2,00
Post length (m)	1,70
Loading capacity (m)	-



Eco-Safe BW

Steel road guardrail

N2 W1 A



Performances

Containment level	N2
Normalized working width (m)	0,60
Class of normalized working width	W1
Acceleration Severity Index (ASI)	A
Normalized dynamic deflection (m)	0,50
Vehicle Intrusion (VI)	-
THIV (Km/h)	31
Tested length (m)	36,00
CE certificate number	0531-CPR-1317-1982

Geometrical characteristics

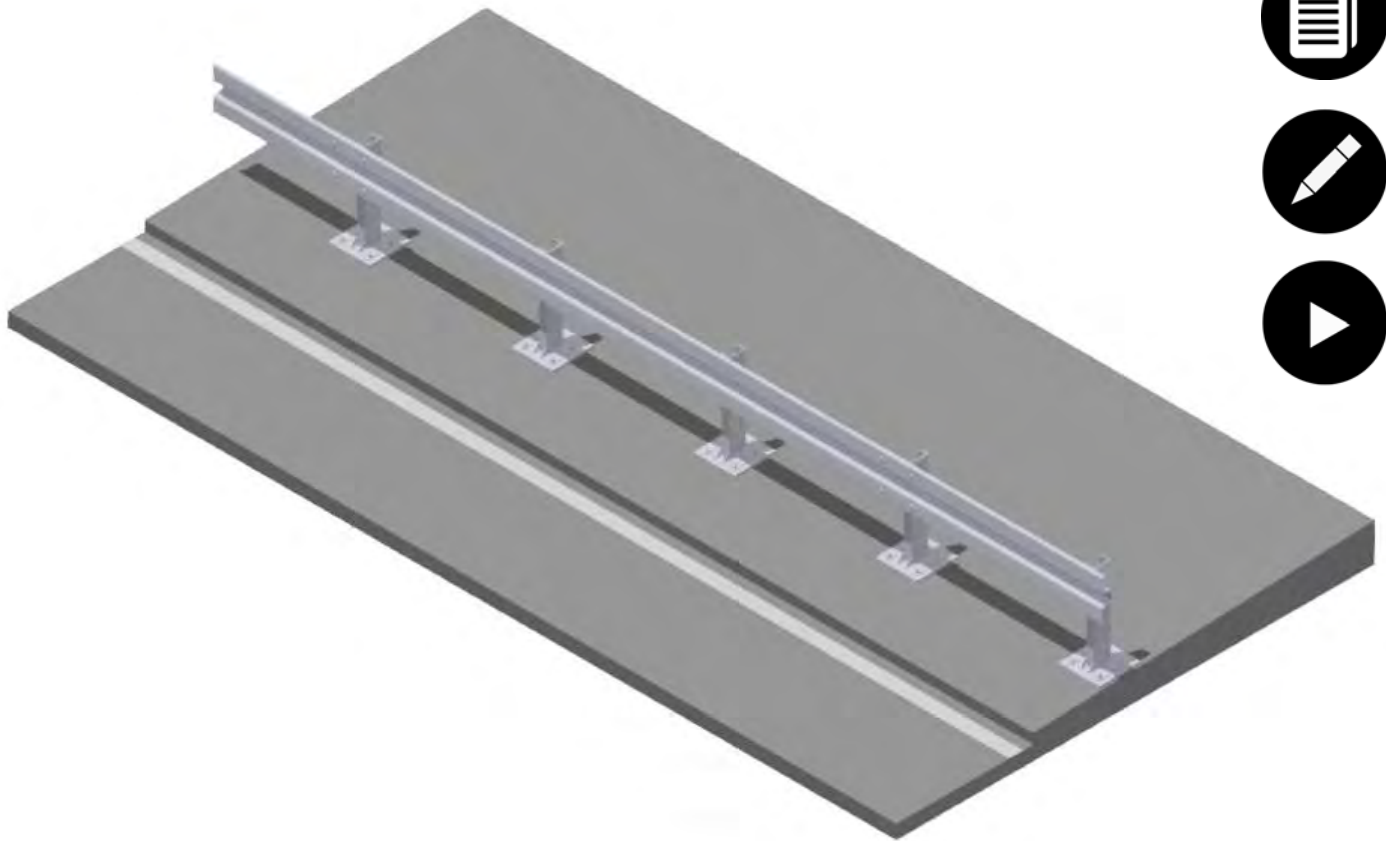
Application	On structures
Type	Single
Construction width (m)	0,3
Construction height (m)	0,70
Beam shape	A/B
Post shape	C125
Post distance (m)	1,33
Post length (m)	0,66
Loading capacity (m)	-



Eco-Safe BW

Steel road guardrail

H1 W2 A



Performances

Containment level	H1
Normalized working width (m)	0,80
Class of normalized working width	W2
Acceleration Severity Index (ASI)	A
Normalized dynamic deflection (m)	0,60
Vehicle Intrusion (VI)	2,4
THIV (Km/h)	31
Tested length (m)	36,00
CE certificate number	0531-CPR-1317-1982

Geometrical characteristics

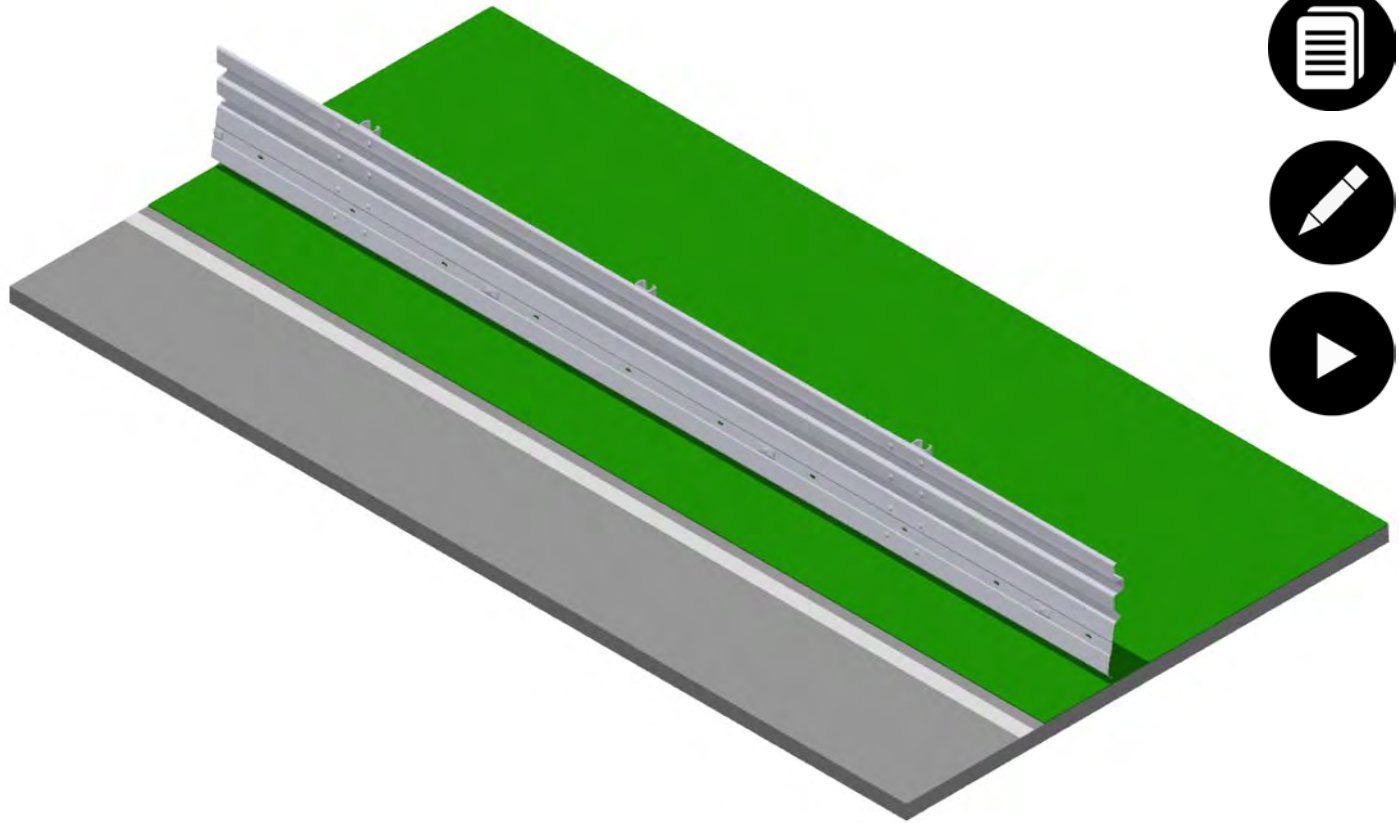
Application	On structures
Type	Single
Construction width (m)	0,3
Construction height (m)	0,70
Beam shape	A/B
Post shape	C125
Post distance (m)	1,33
Post length (m)	0,66
Loading capacity (m)	-



Eco-Safe MPS

Steel road guardrail

N2 W3 A



Performances

Containment level	N2
Normalized working width (m)	-
Class of normalized working width	W3
Acceleration Severity Index (ASI)	A
Normalized dynamic deflection (m)	-
Vehicle Intrusion (VI)	-
THIV (Km/h)	-
Tested length (m)	48,00
CE certificate number	0531-CPR-1317-1644

Geometrical characteristics

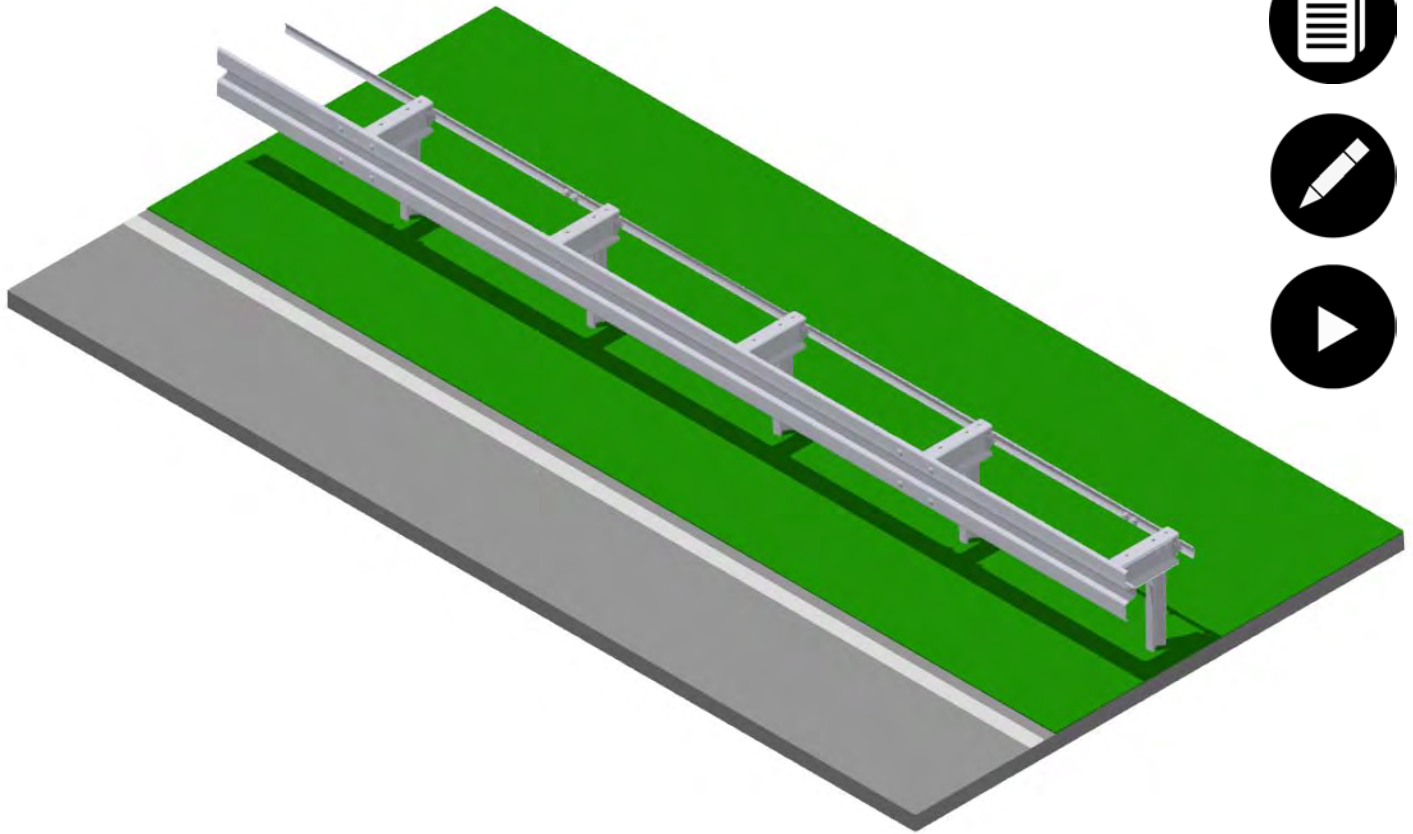
Application	Rammed
Type	Single
Construction width (m)	0,19
Construction height (m)	0,75
Beam shape	A/B
Post shape	C100
Post distance (m)	2,00
Post length (m)	1,70
Loading capacity (m)	-



EDSP 1.33

Steel road guardrail

H1 W4 A



Performances

Containment level	H1
Normalized working width (m)	1,20
Class of normalized working width	W4
Acceleration Severity Index (ASI)	A
Normalized dynamic deflection (m)	1,10
Vehicle Intrusion (VI)	2
THIV (Km/h)	22
Tested length (m)	60,00
CE certificate number	0531-CPR-1317-2296

Geometrical characteristics

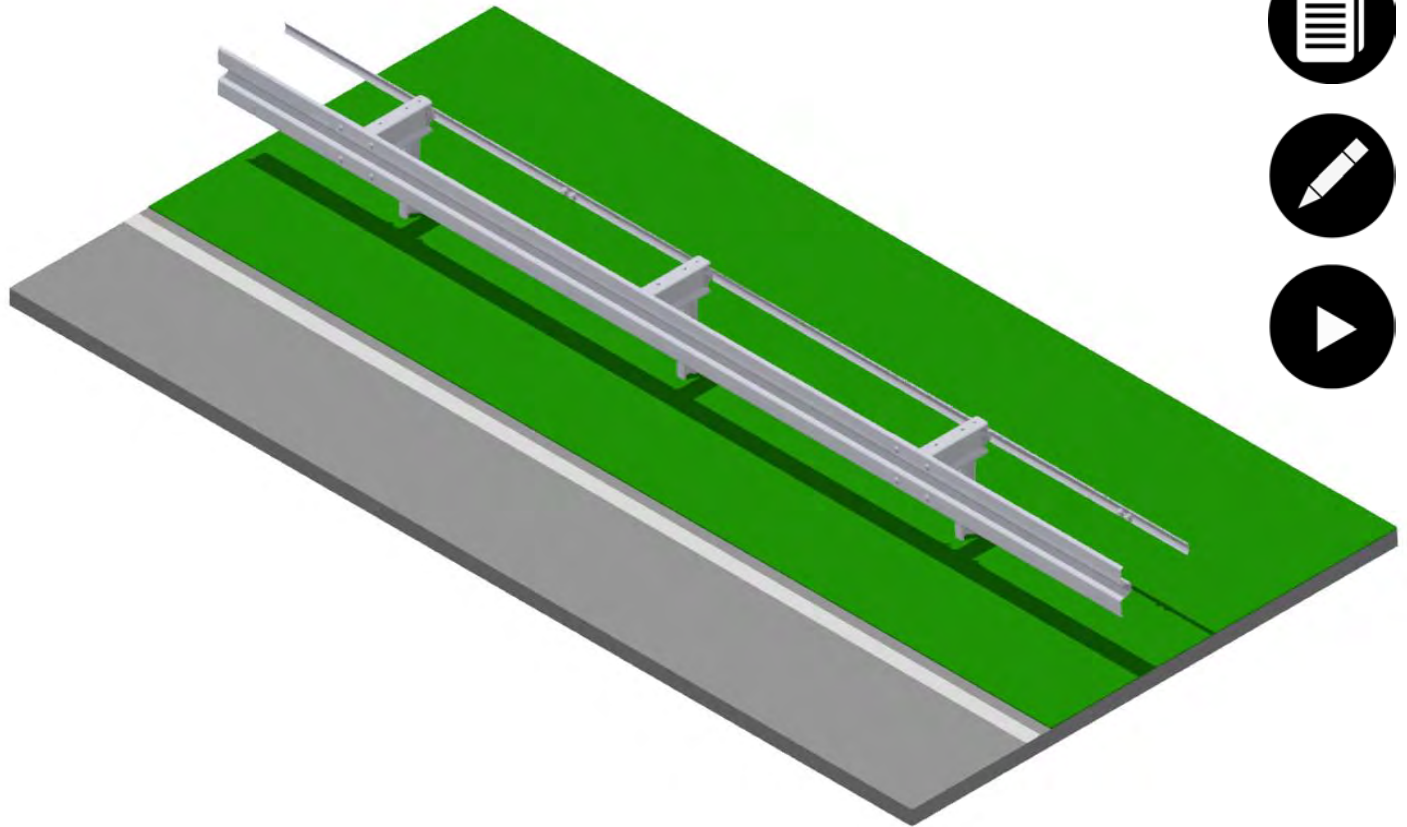
Application	Rammed
Type	Single
Construction width (m)	0,5
Construction height (m)	0,65
Beam shape	A/B
Post shape	Sigma
Post distance (m)	1,33
Post length (m)	1,90
Loading capacity (m)	672,00



EDSP 2.0

Steel road guardrail

H1 W5 A



Performances

Containment level	H1
Normalized working width (m)	1,70
Class of normalized working width	W5
Acceleration Severity Index (ASI)	A
Normalized dynamic deflection (m)	1,30
Vehicle Intrusion (VI)	2,3
THIV (Km/h)	19
Tested length (m)	60,00
CE certificate number	0531-CPR-1317-2295

Geometrical characteristics

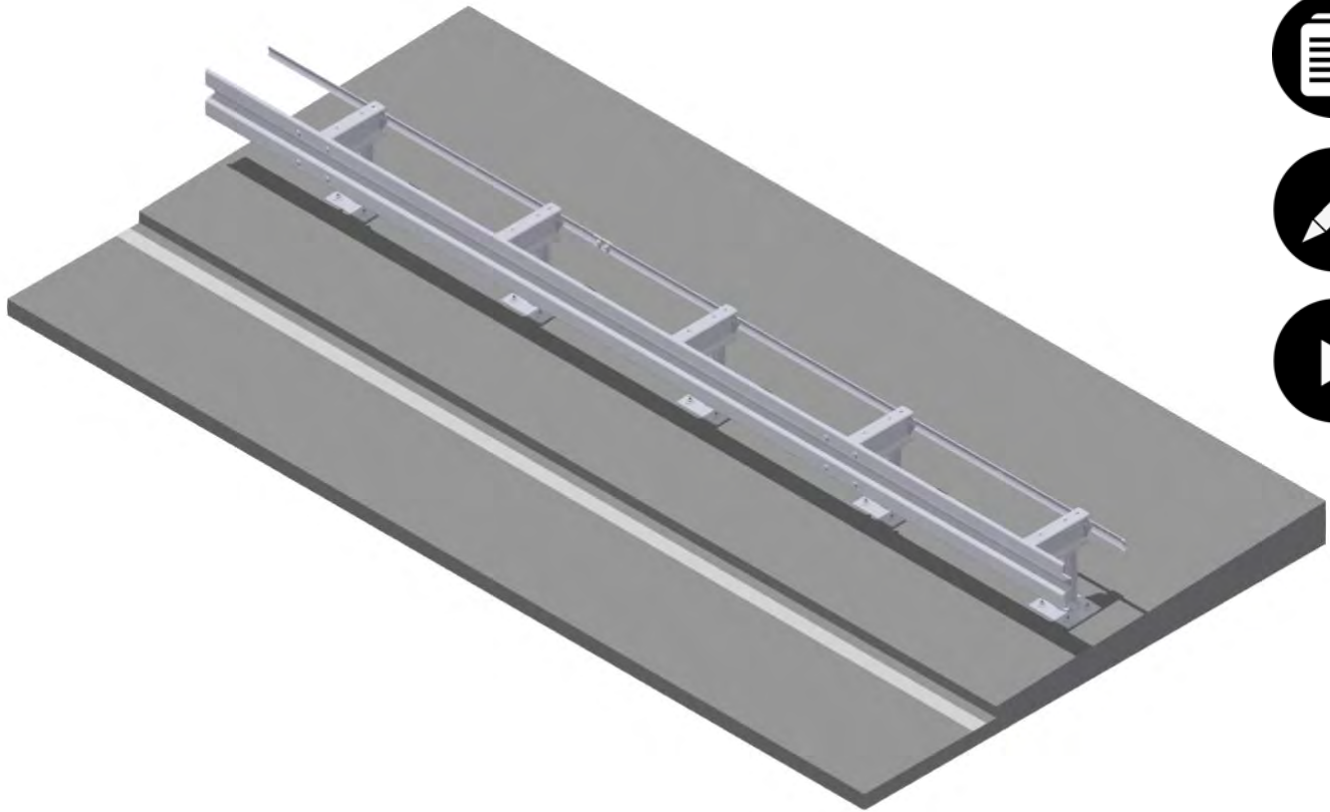
Application	Rammed
Type	Single
Construction width (m)	0,5
Construction height (m)	0,75
Beam shape	A/B
Post shape	Sigma
Post distance (m)	2,00
Post length (m)	1,90
Loading capacity (m)	812,00



EDSP BW 1.33

Steel road guardrail

H1 W5 A



Performances

Containment level	H1
Normalized working width (m)	1,60
Class of normalized working width	W5
Acceleration Severity Index (ASI)	A
Normalized dynamic deflection (m)	1,20
Vehicle Intrusion (VI)	2,1
THIV (Km/h)	20
Tested length (m)	68,00
CE certificate number	0531-CPR-1317-2297

Geometrical characteristics

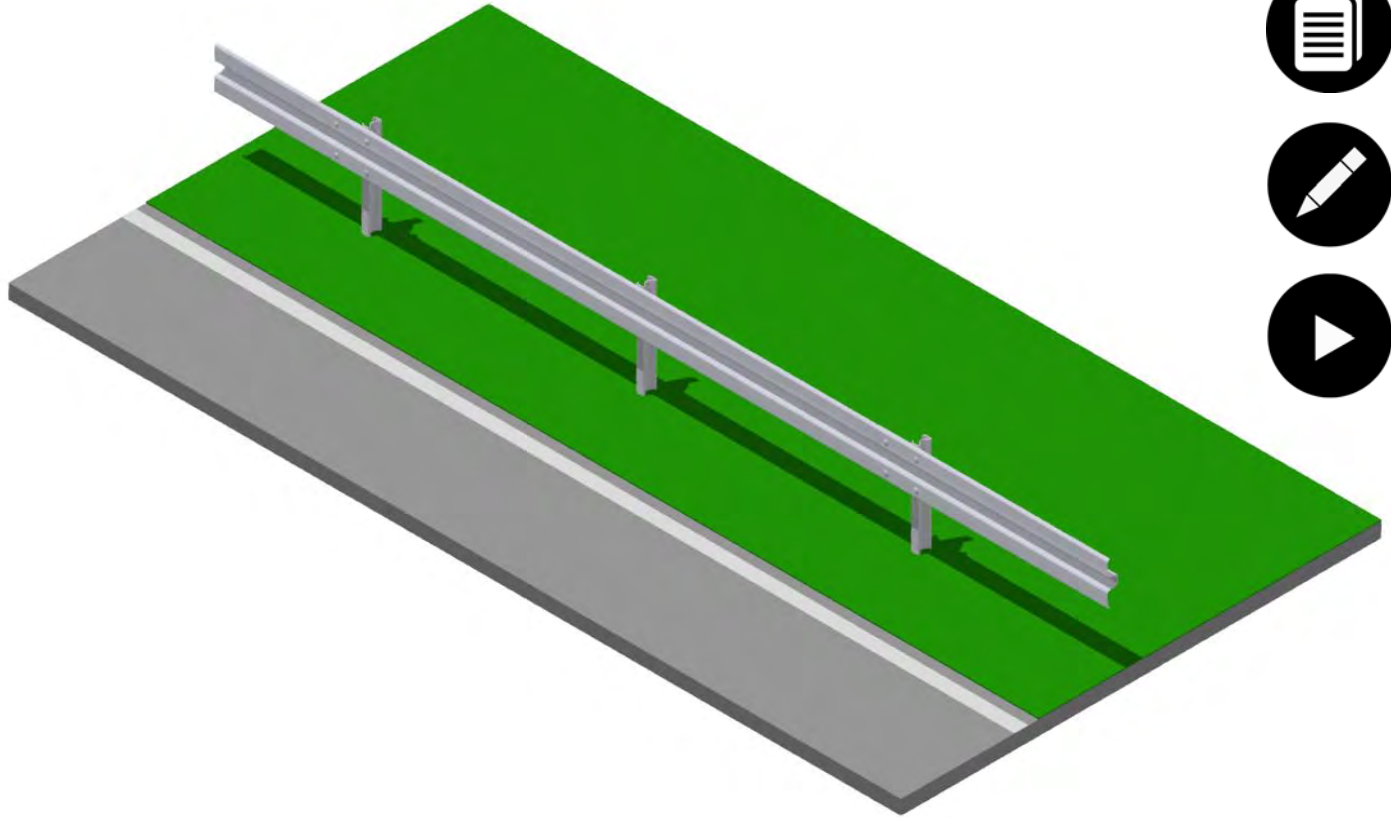
Application	On structures
Type	Single
Construction width (m)	0,23
Construction height (m)	1,15
Beam shape	A/B
Post shape	Sigma
Post distance (m)	1,33
Post length (m)	0,52
Loading capacity (m)	664,00



ESP 2.0

Steel road guardrail

N2 W4 A



Performances

Containment level	N2
Normalized working width (m)	1,30
Class of normalized working width	W4
Acceleration Severity Index (ASI)	A
Normalized dynamic deflection (m)	1,20
Vehicle Intrusion (VI)	-
THIV (Km/h)	-
Tested length (m)	60,00
CE certificate number	0531-CPR-1317-2294

Geometrical characteristics

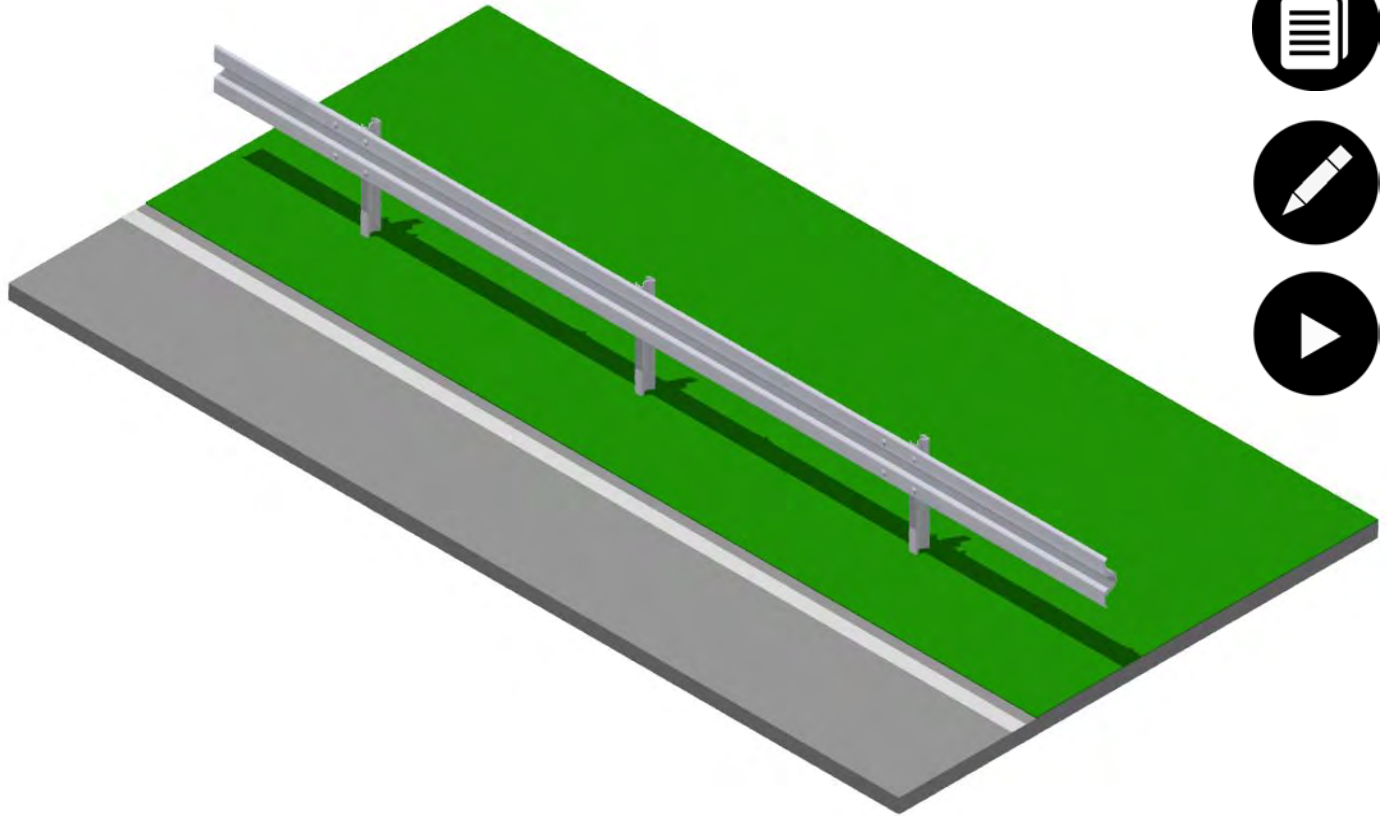
Application	Rammed
Type	Single
Construction width (m)	0,188
Construction height (m)	0,75
Beam shape	A/B
Post shape	Sigma
Post distance (m)	2,00
Post length (m)	1,90
Loading capacity (m)	1060,00



ESP 2.0 PLUS

Steel road guardrail

N2 W4 A



Performances

Containment level	N2
Normalized working width (m)	1,20
Class of normalized working width	W4
Acceleration Severity Index (ASI)	A
Normalized dynamic deflection (m)	1,10
Vehicle Intrusion (VI)	-
THIV (Km/h)	23
Tested length (m)	60,00
CE certificate number	0050-CPR-201 0

Geometrical characteristics

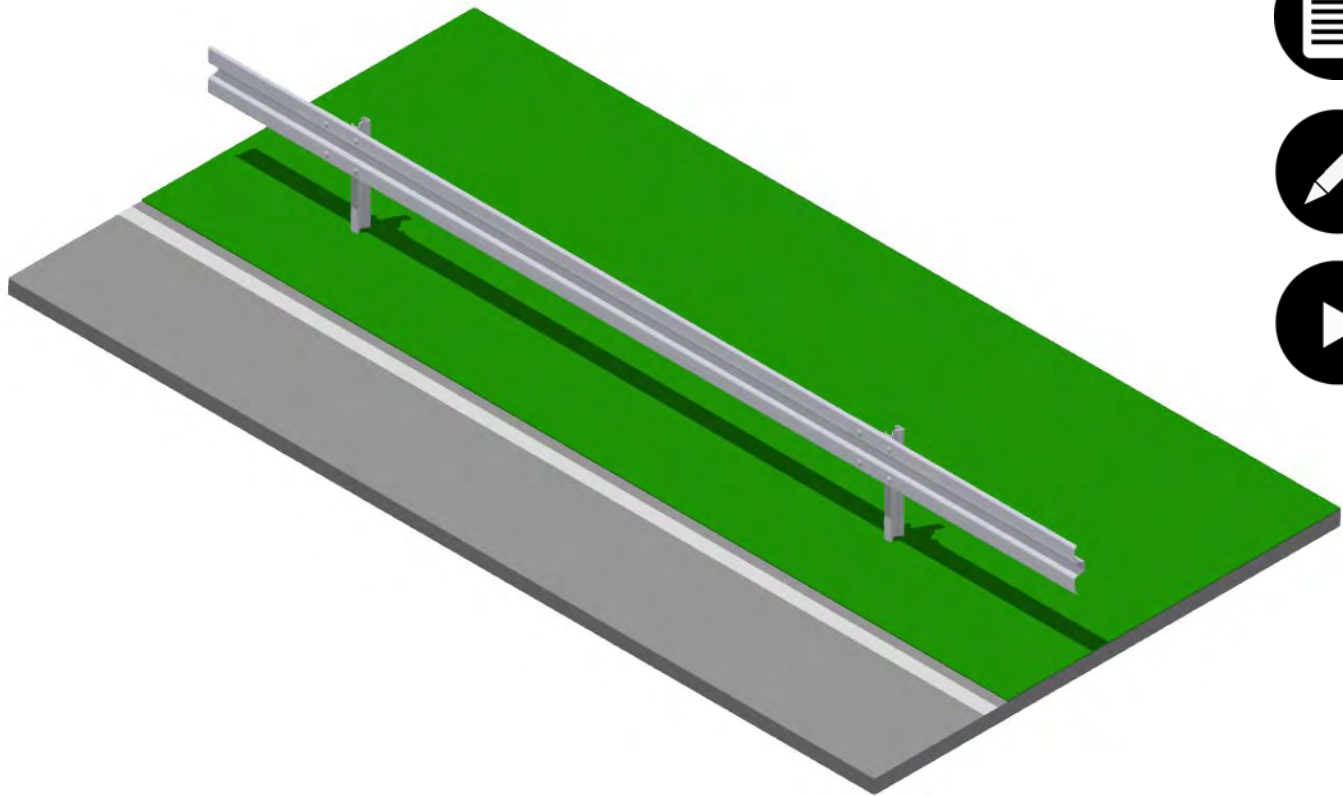
Application	Rammed
Type	Single
Construction width (m)	0,192
Construction height (m)	0,75
Beam shape	A/B
Post shape	Sigma
Post distance (m)	2,00
Post length (m)	1,90
Loading capacity (m)	-



ESP 4.0

Steel road guardrail

N2 W5 A



Performances

Containment level	N2
Normalized working width (m)	1,70
Class of normalized working width	W5
Acceleration Severity Index (ASI)	A
Normalized dynamic deflection (m)	1,60
Vehicle Intrusion (VI)	-
THIV (Km/h)	20
Tested length (m)	60,00
CE certificate number	0531-CPR-1317-2292

Geometrical characteristics

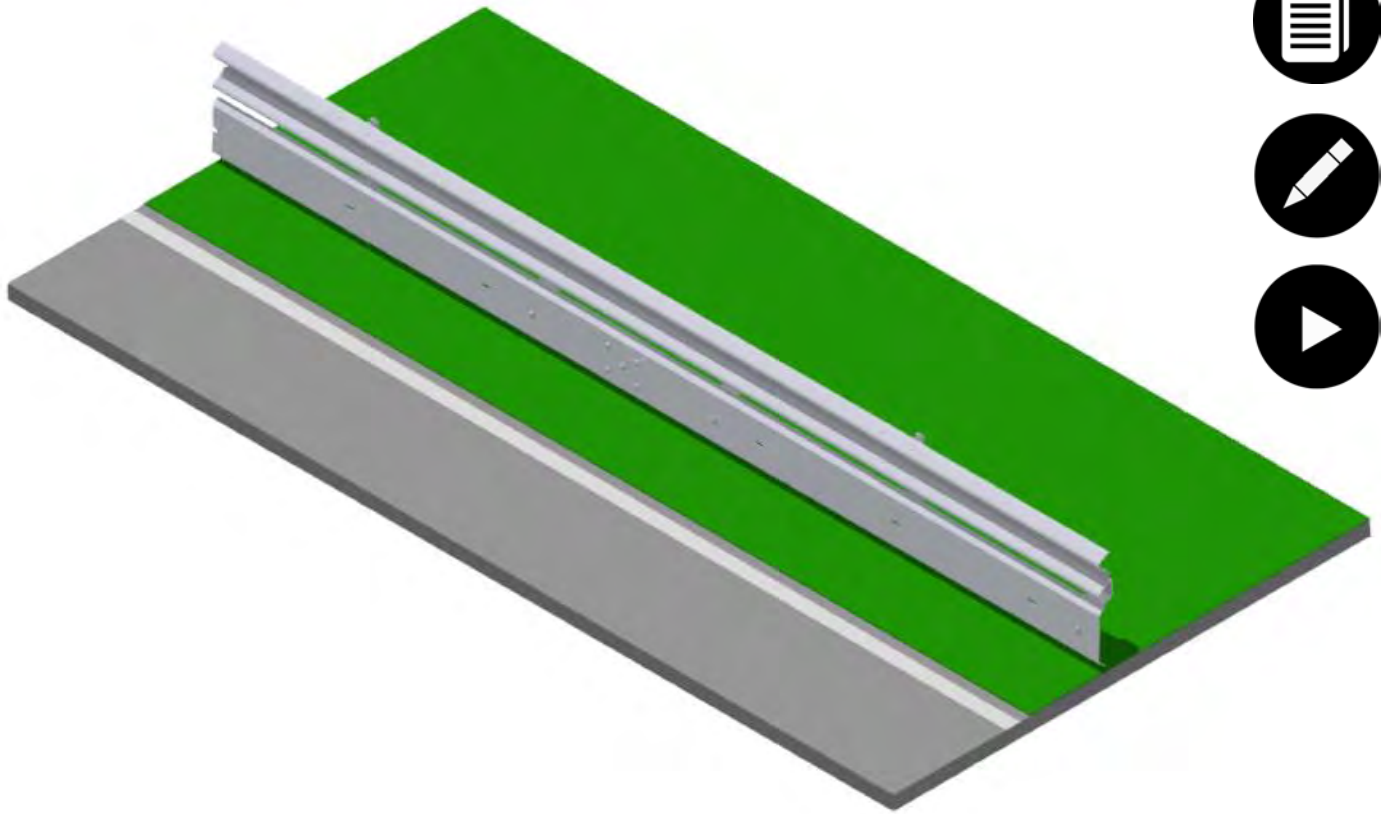
Application	Rammed
Type	Single
Construction width (m)	0,188
Construction height (m)	0,75
Beam shape	A/B
Post shape	Sigma
Post distance (m)	4,00
Post length (m)	1,90
Loading capacity (m)	1300,00



ESP 4.0 Moto

Steel road guardrail

N2 W5 A



Performances

Containment level	N2
Normalized working width (m)	1,60
Class of normalized working width	W5
Acceleration Severity Index (ASI)	A
Normalized dynamic deflection (m)	1,40
Vehicle Intrusion (VI)	-
THIV (Km/h)	26
Tested length (m)	60,00
CE certificate number	0531-CPR-1317-2293

Geometrical characteristics

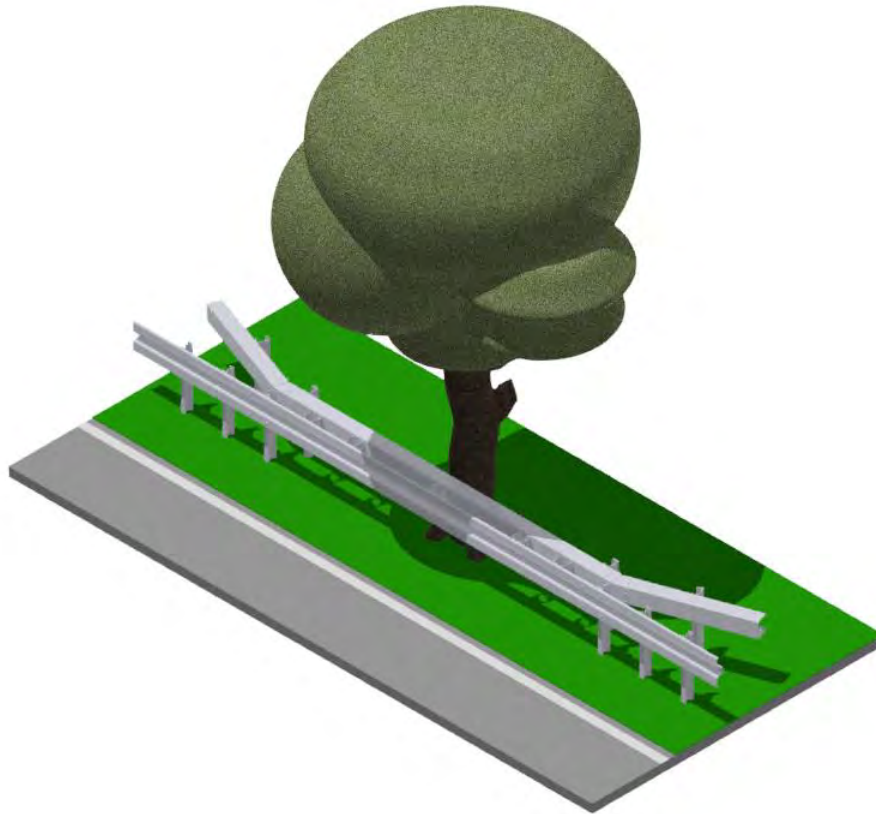
Application	Rammed
Type	Single
Construction width (m)	-
Construction height (m)	-
Beam shape	A/B
Post shape	Sigma
Post distance (m)	4,00
Post length (m)	1,90
Loading capacity (m)	-



ESP BOS

Steel road guardrail

N2 W3 B



Performances

Containment level	N2
Normalized working width (m)	0,90
Class of normalized working width	W3
Acceleration Severity Index (ASI)	B
Normalized dynamic deflection (m)	0,20
Vehicle Intrusion (VI)	-
THIV (Km/h)	32
Tested length (m)	20,00
CE certificate number	0062-CPR-2010

Geometrical characteristics

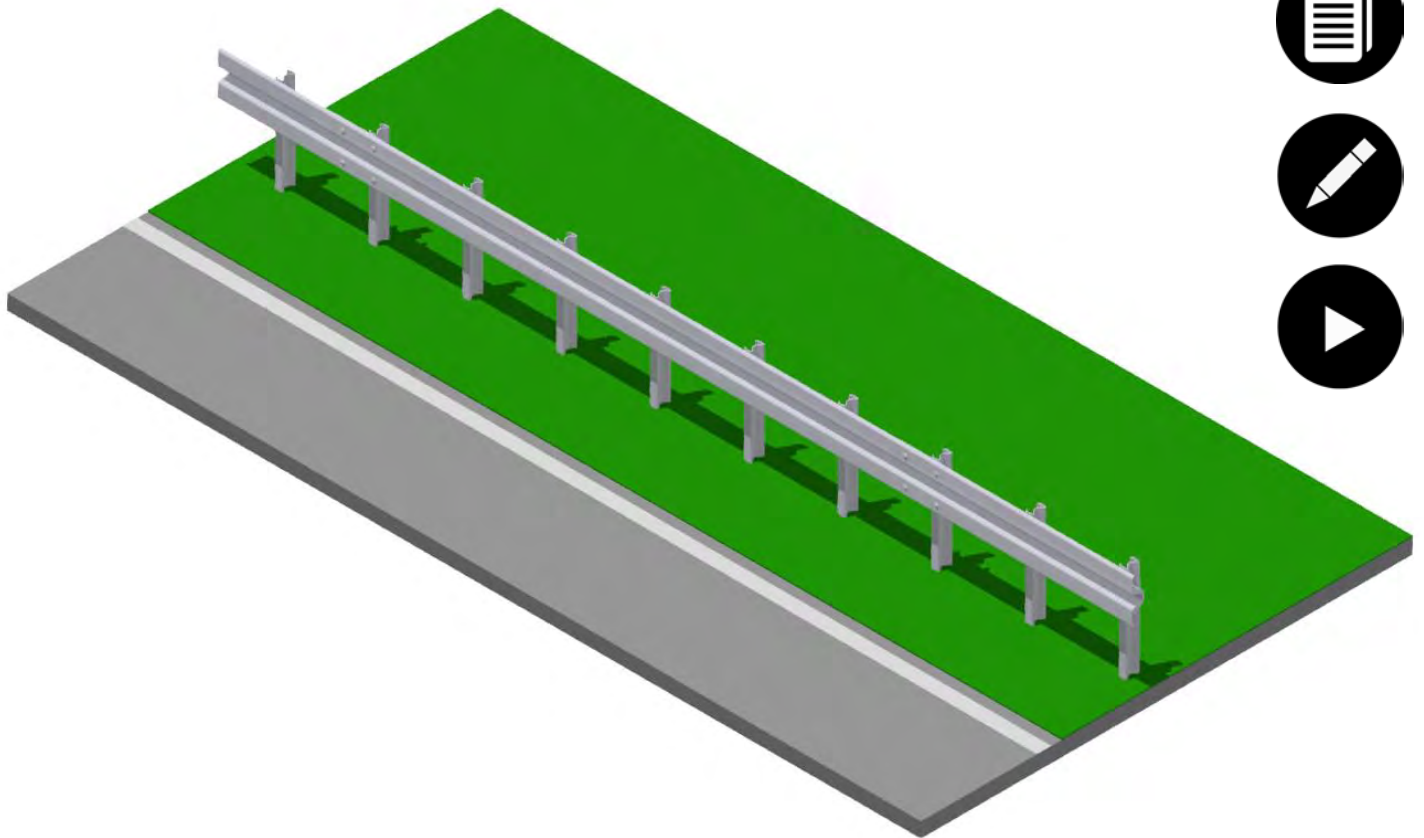
Application	Rammed
Type	Single
Construction width (m)	-
Construction height (m)	-
Beam shape	A/B
Post shape	C100/C125
Post distance (m)	-
Post length (m)	-
Loading capacity (m)	-



ESP PLUS W1

Steel road guardrail

N2 W1 B



Performances

Containment level	N2
Normalized working width (m)	0,60
Class of normalized working width	W1
Acceleration Severity Index (ASI)	B
Normalized dynamic deflection (m)	0,50
Vehicle Intrusion (VI)	-
THIV (Km/h)	30
Tested length (m)	40,00
CE certificate number	0057-CPR-2010

Geometrical characteristics

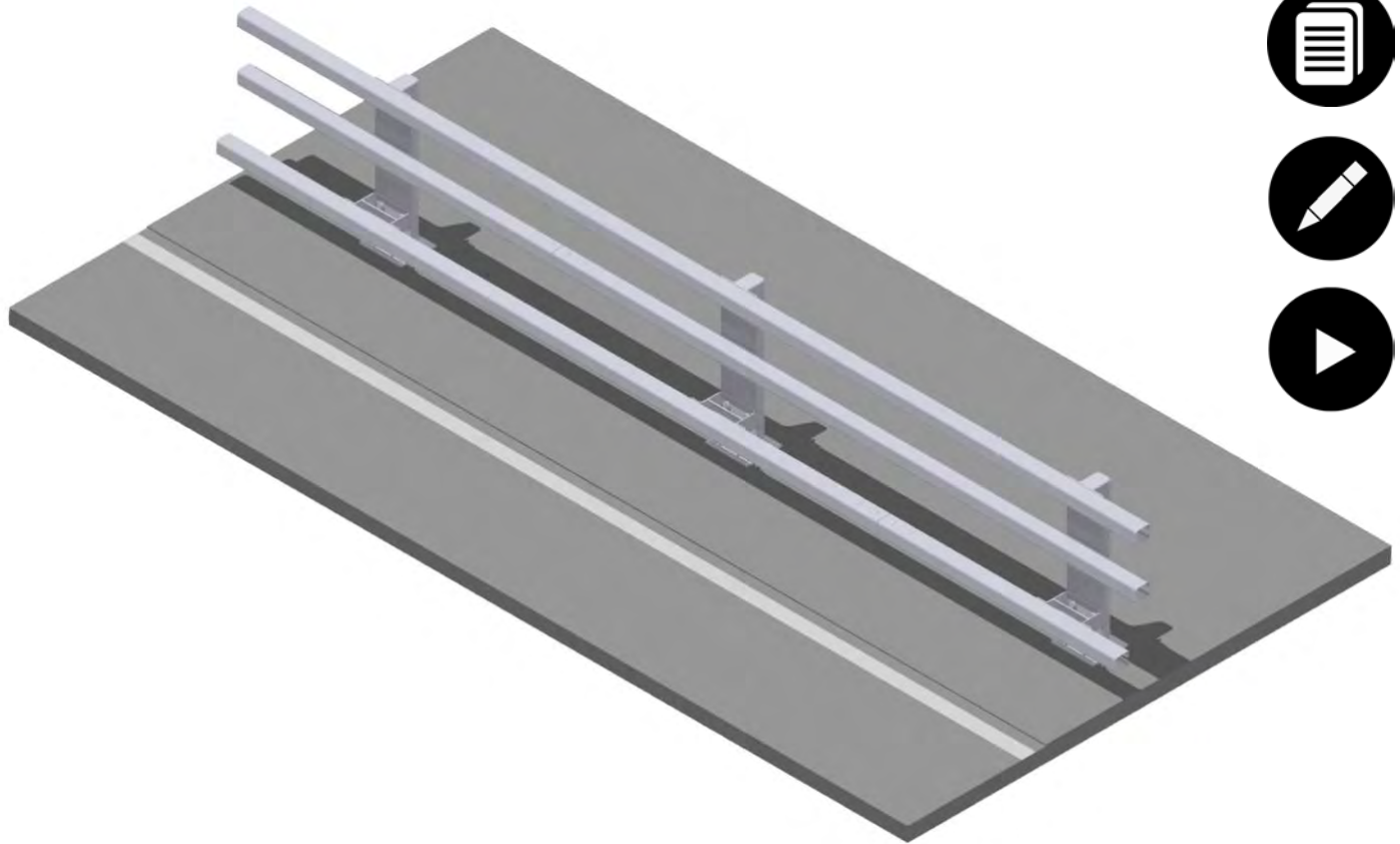
Application	Rammed
Type	Single
Construction width (m)	0,192
Construction height (m)	0,75
Beam shape	A/B
Post shape	Sigma
Post distance (m)	0,67
Post length (m)	1,90
Loading capacity (m)	500,00



EURO BN H2

Steel road guardrail

H2 W3 C



Performances

Containment level	H2
Normalized working width (m)	1,00
Class of normalized working width	W3
Acceleration Severity Index (ASI)	C
Normalized dynamic deflection (m)	0,70
Vehicle Intrusion (VI)	1,1
THIV (Km/h)	33
Tested length (m)	60,00
CE certificate number	2131/CPR/919

Geometrical characteristics

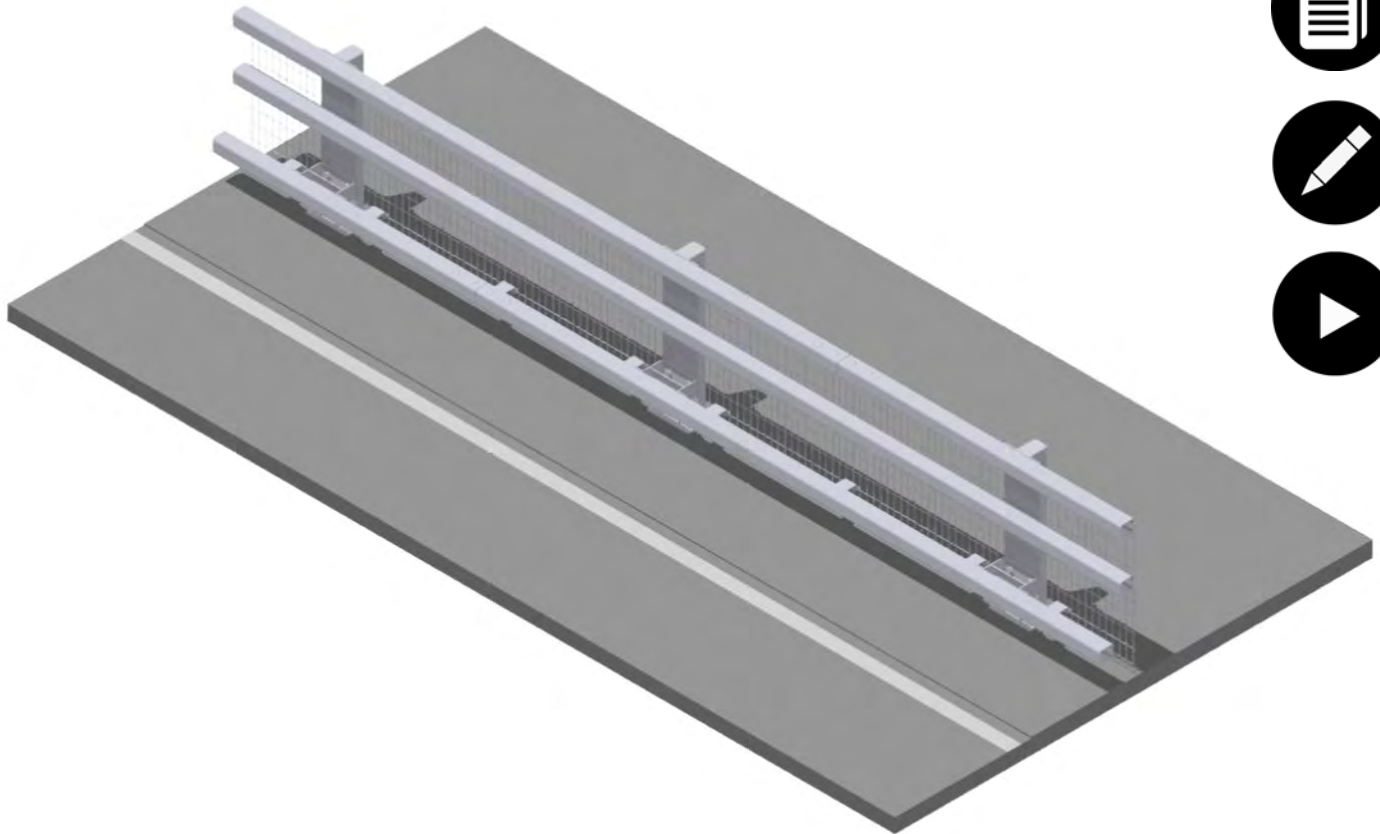
Application	On structures
Type	Single
Construction width (m)	-
Construction height (m)	-
Beam shape	AF
Post shape	-
Post distance (m)	2,50
Post length (m)	-
Loading capacity (m)	-



EURO BN H2 with fence

Steel road guardrail

H2 W3 C



Performances

Containment level	H2
Normalized working width (m)	-
Class of normalized working width	W3
Acceleration Severity Index (ASI)	C
Normalized dynamic deflection (m)	-
Vehicle Intrusion (VI)	-
THIV (Km/h)	-
Tested length (m)	-
CE certificate number	-

Geometrical characteristics

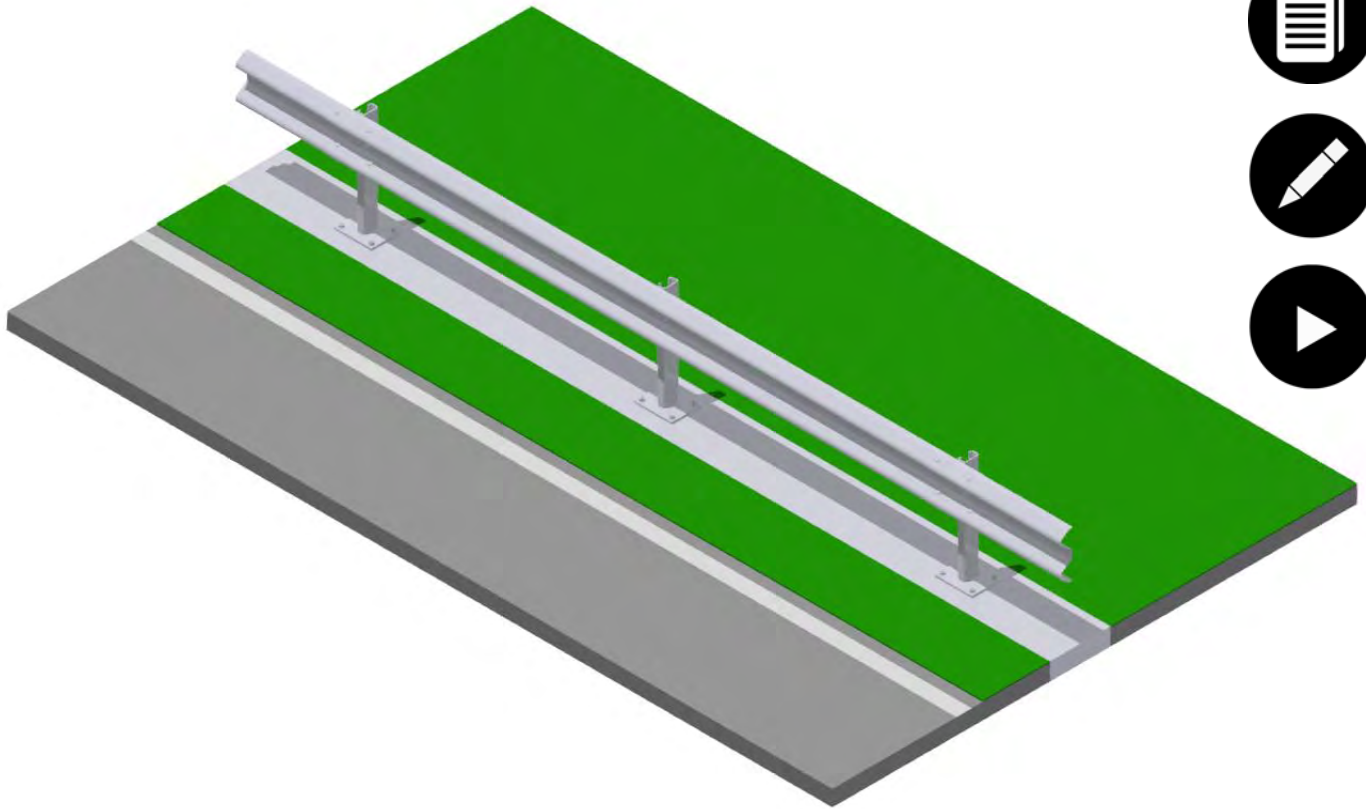
Application	On structures
Type	Single
Construction width (m)	-
Construction height (m)	-
Beam shape	AF
Post shape	-
Post distance (m)	2,50
Post length (m)	-
Loading capacity (m)	-



Euro GS-P

Steel road guardrail

N2 W3 A



Performances

Containment level	N2
Normalized working width (m)	1,00
Class of normalized working width	W3
Acceleration Severity Index (ASI)	A
Normalized dynamic deflection (m)	0,90
Vehicle Intrusion (VI)	-
THIV (Km/h)	-
Tested length (m)	-
CE certificate number	1826-CPR-12-DR11

Geometrical characteristics

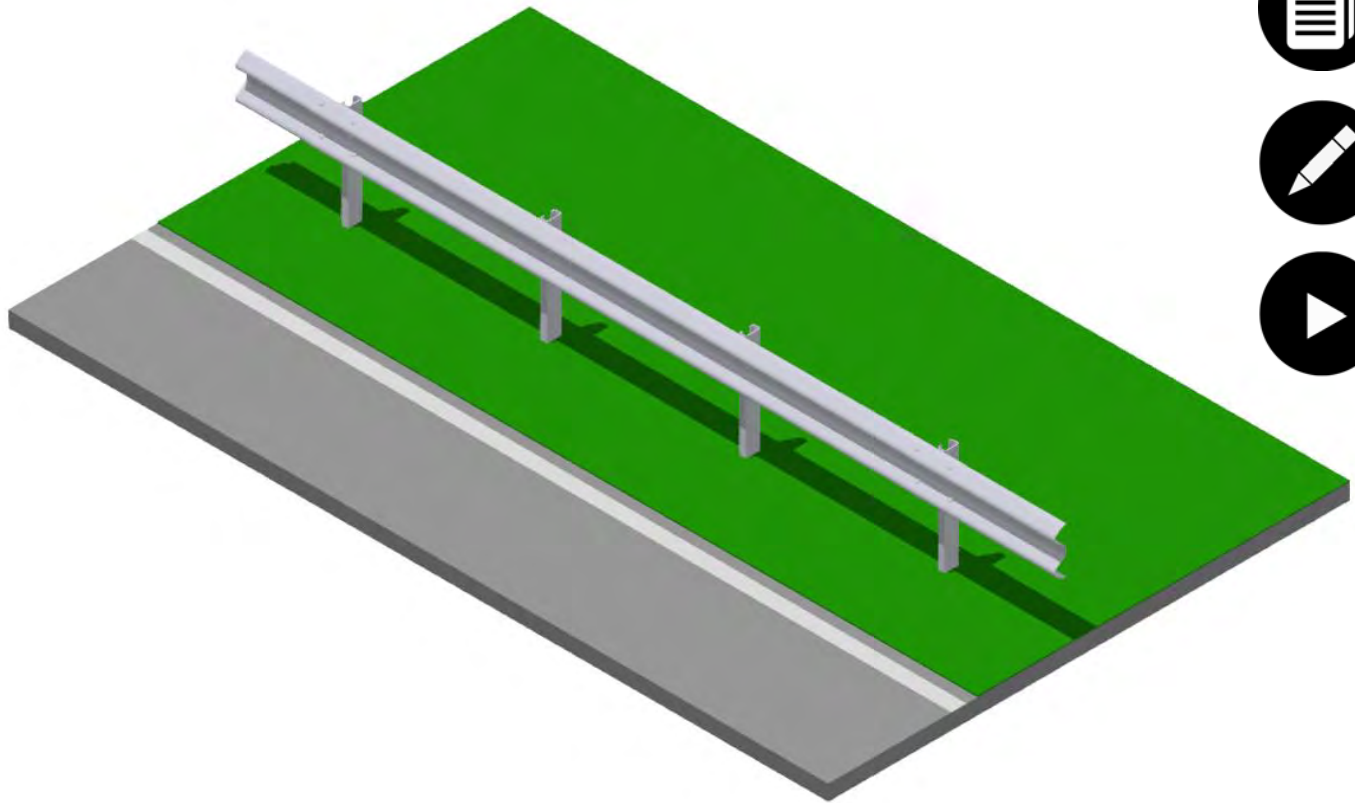
Application	On structures
Type	Single
Construction width (m)	-
Construction height (m)	-
Beam shape	-
Post shape	-
Post distance (m)	-
Post length (m)	-
Loading capacity (m)	-



EURO GS 1.33

Steel road guardrail

N2 W2 A



Performances

Containment level	N2
Normalized working width (m)	0,70
Class of normalized working width	W2
Acceleration Severity Index (ASI)	A
Normalized dynamic deflection (m)	0,60
Vehicle Intrusion (VI)	-
THIV (Km/h)	31
Tested length (m)	52,00
CE certificate number	1826-CPR-12-DR07

Geometrical characteristics

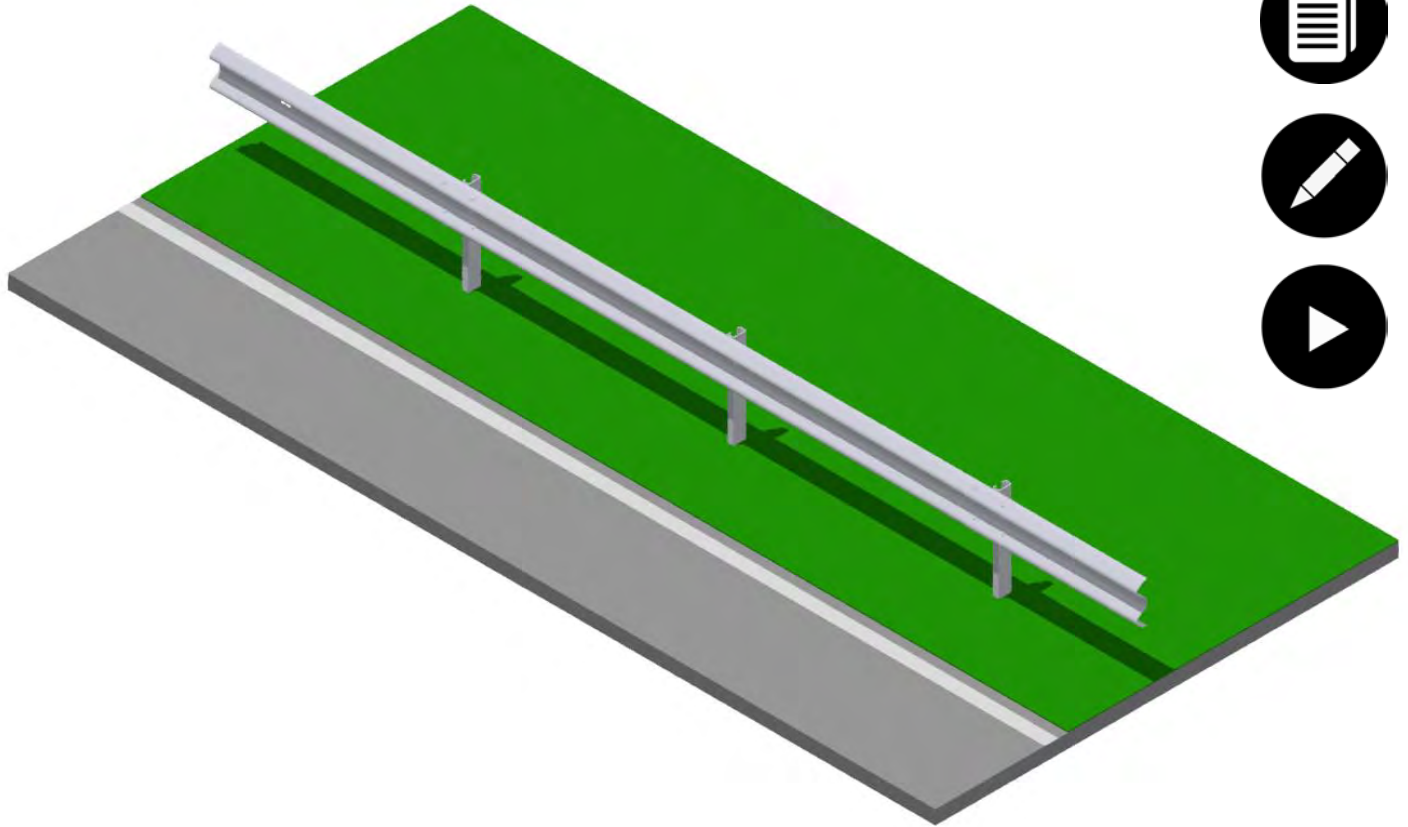
Application	Rammed
Type	Single
Construction width (m)	0,18
Construction height (m)	0,71
Beam shape	AF
Post shape	C100
Post distance (m)	1,33
Post length (m)	1,50
Loading capacity (m)	-



EURO GS 2.0

Steel road guardrail

N2 W3 A



Performances

Containment level	N2
Normalized working width (m)	0,90
Class of normalized working width	W3
Acceleration Severity Index (ASI)	A
Normalized dynamic deflection (m)	0,80
Vehicle Intrusion (VI)	-
THIV (Km/h)	31
Tested length (m)	52,00
CE certificate number	1826-CPR-12-DR08

Geometrical characteristics

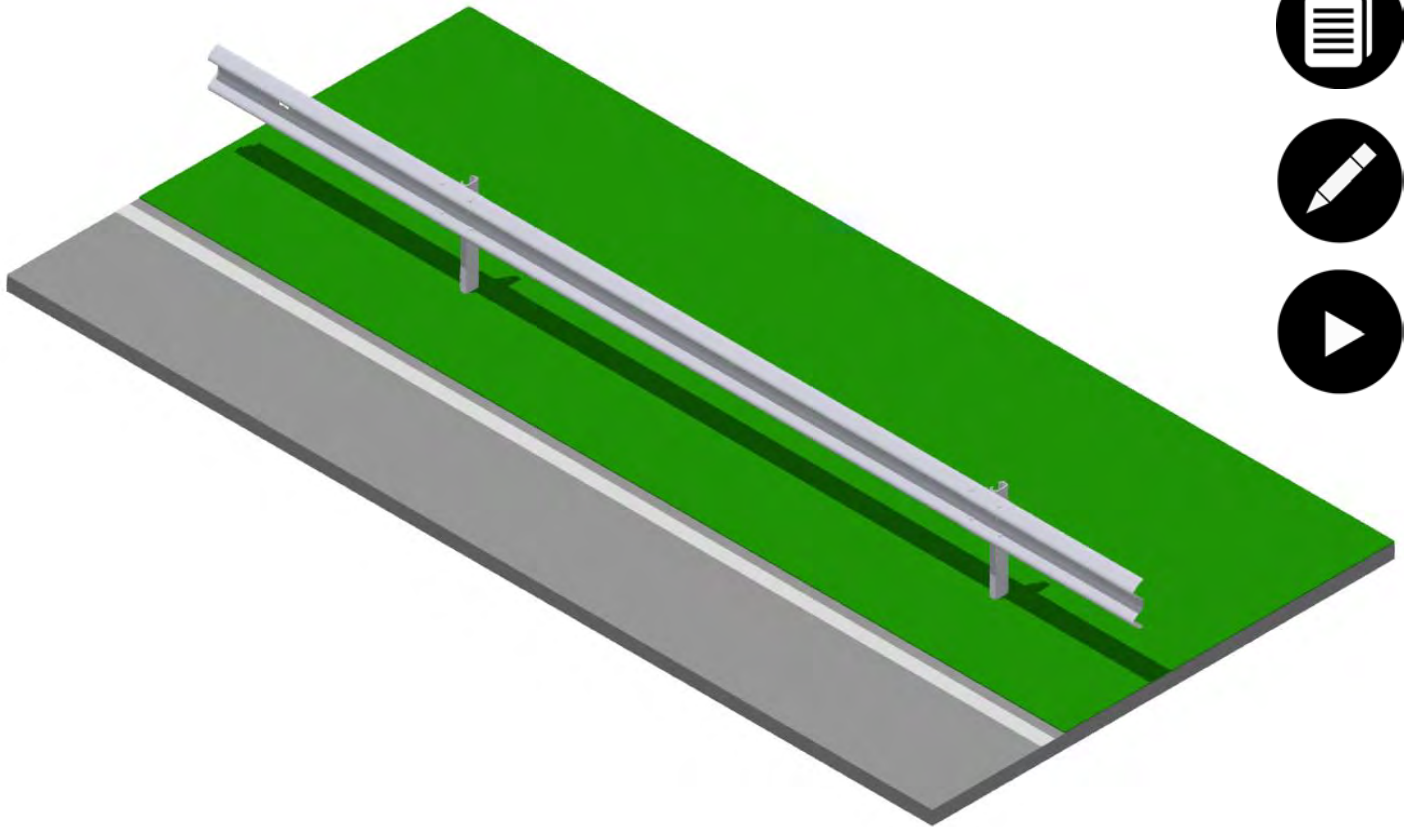
Application	Rammed
Type	Single
Construction width (m)	0,18
Construction height (m)	0,71
Beam shape	AF
Post shape	C100
Post distance (m)	2,00
Post length (m)	1,50
Loading capacity (m)	-



EURO GS 4.0

Steel road guardrail

N2 W4 A



Performances

Containment level	N2
Normalized working width (m)	1,20
Class of normalized working width	W4
Acceleration Severity Index (ASI)	A
Normalized dynamic deflection (m)	1,10
Vehicle Intrusion (VI)	-
THIV (Km/h)	-
Tested length (m)	-
CE certificate number	1826-CPR-12-DR09

Geometrical characteristics

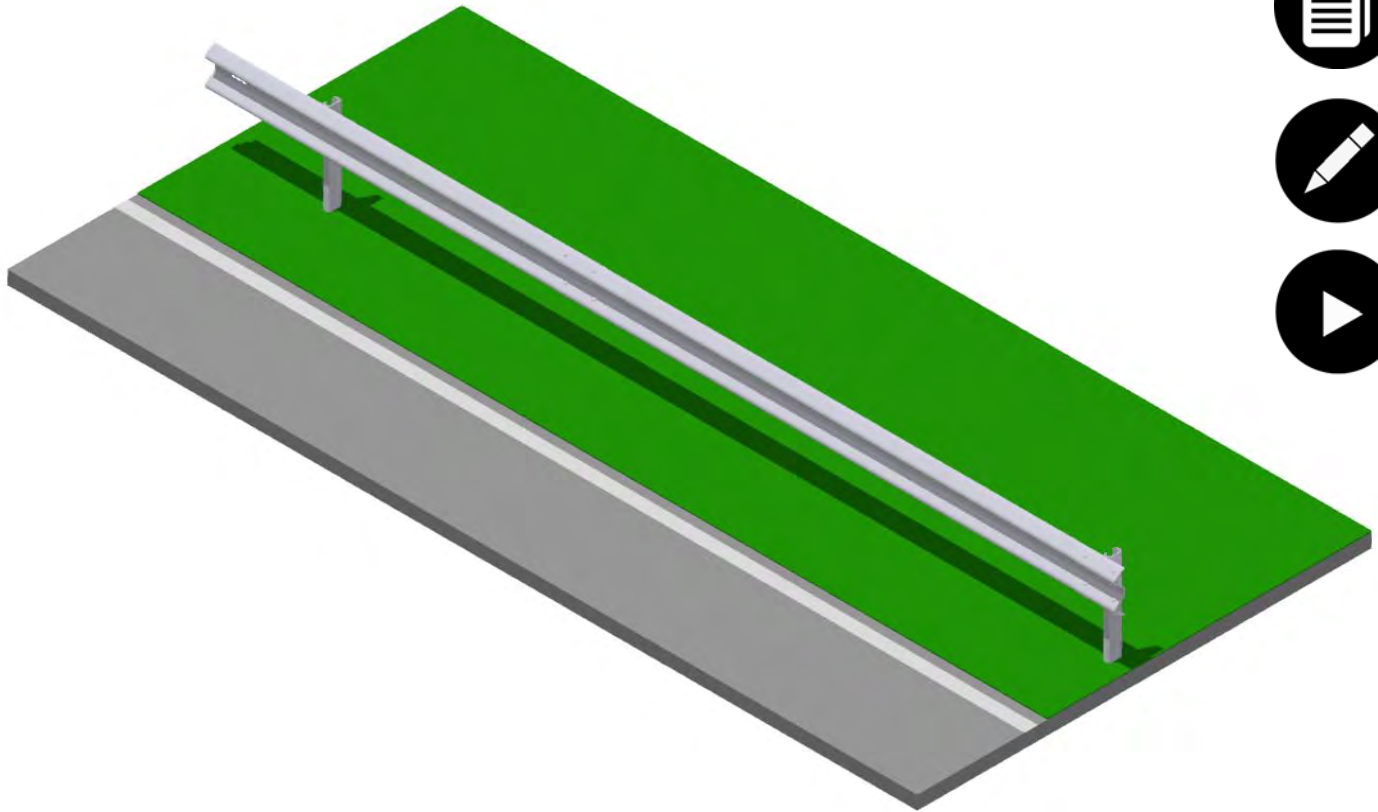
Application	Rammed
Type	Single
Construction width (m)	0,18
Construction height (m)	0,71
Beam shape	AF
Post shape	C 100
Post distance (m)	4,00
Post length (m)	1,50
Loading capacity (m)	-



EURO GS 6.0

Steel road guardrail

N2 W4 A



Performances

Containment level	N2
Normalized working width (m)	1,20
Class of normalized working width	W4
Acceleration Severity Index (ASI)	A
Normalized dynamic deflection (m)	1,10
Vehicle Intrusion (VI)	-
THIV (Km/h)	-
Tested length (m)	-
CE certificate number	1826-CPR-12-DR10

Geometrical characteristics

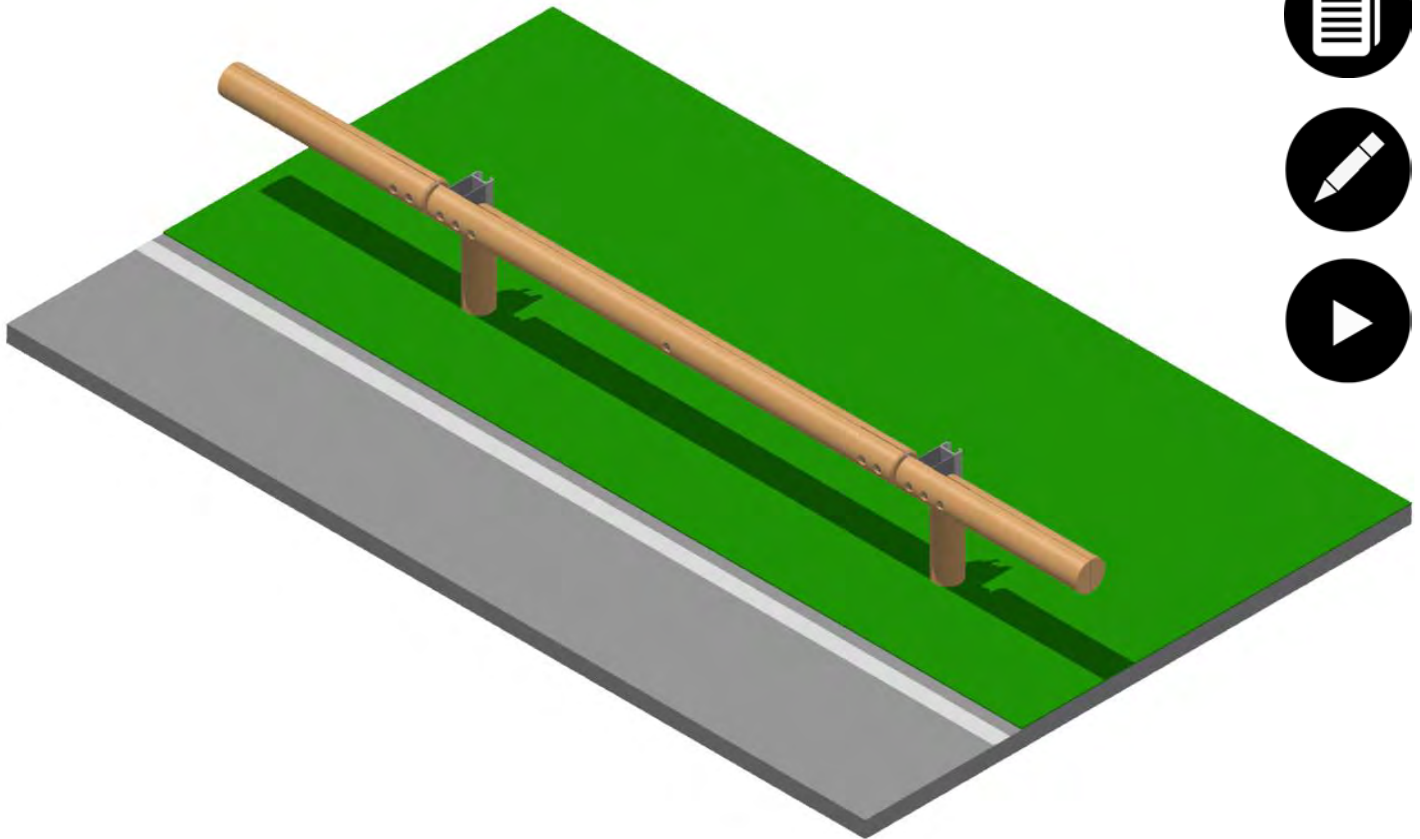
Application	Rammed
Type	Single
Construction width (m)	0,18
Construction height (m)	0,71
Beam shape	AF
Post shape	C 100
Post distance (m)	6,00
Post length (m)	1,50
Loading capacity (m)	-



MB1

Steel and wood road guardrail

N2 W6 A



Performances

Containment level	N2
Normalized working width (m)	1,90
Class of normalized working width	W6
Acceleration Severity Index (ASI)	A
Normalized dynamic deflection (m)	1,80
Vehicle Intrusion (VI)	-
THIV (Km/h)	21,8
Tested length (m)	48,00
CE certificate number	2131-CPR-929

Geometrical characteristics

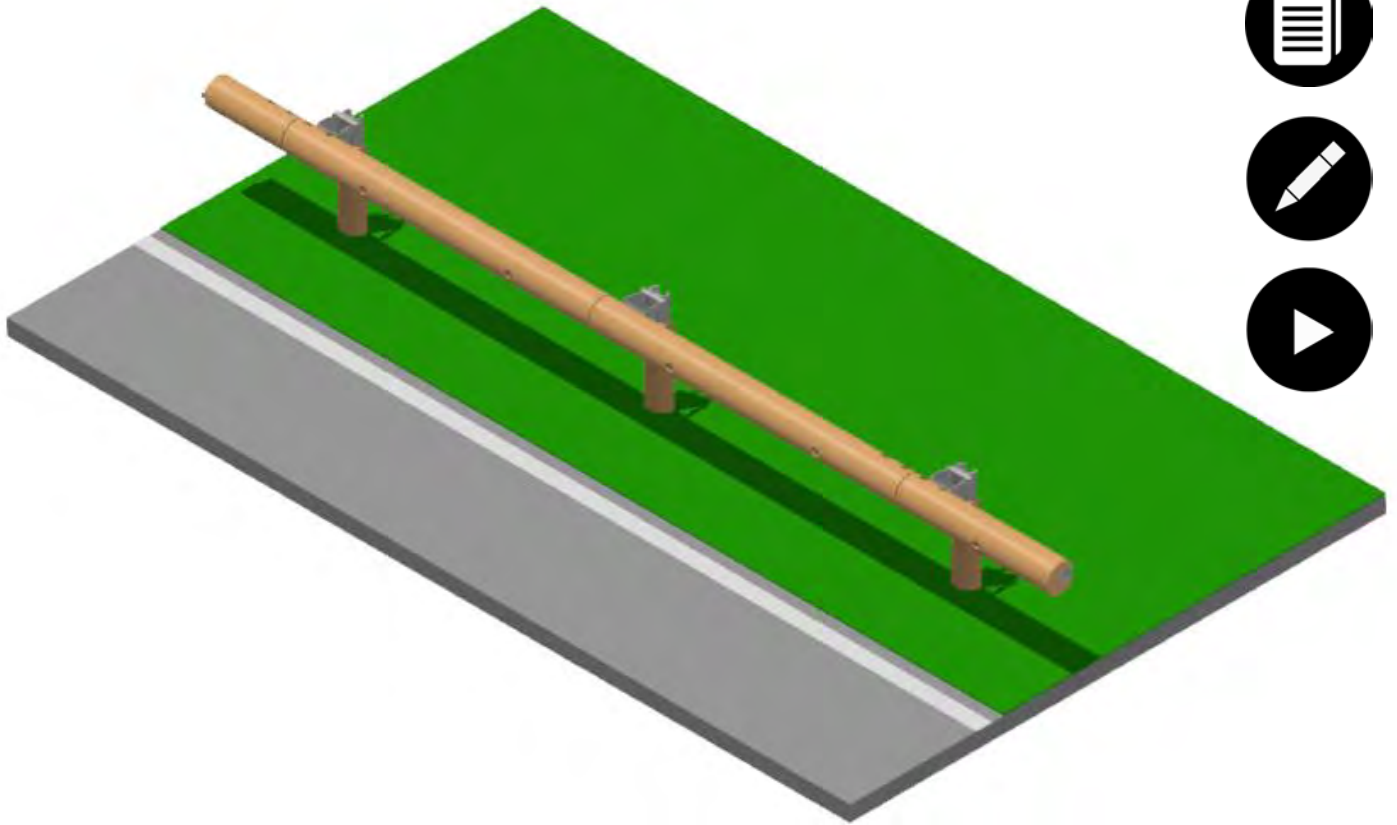
Application	Rammed
Type	Wood/steel
Construction width (m)	0,31
Construction height (m)	0,70
Beam shape	-
Post shape	C100
Post distance (m)	3,00
Post length (m)	2,00
Loading capacity (m)	-



MB2 2.0

Steel and wood road guardrail

N2 W5 A



Performances

Containment level	N2
Normalized working width (m)	1,60
Class of normalized working width	W5
Acceleration Severity Index (ASI)	A
Normalized dynamic deflection (m)	1,40
Vehicle Intrusion (VI)	-
THIV (Km/h)	21
Tested length (m)	48,00
CE certificate number	2131-CPR-930

Geometrical characteristics

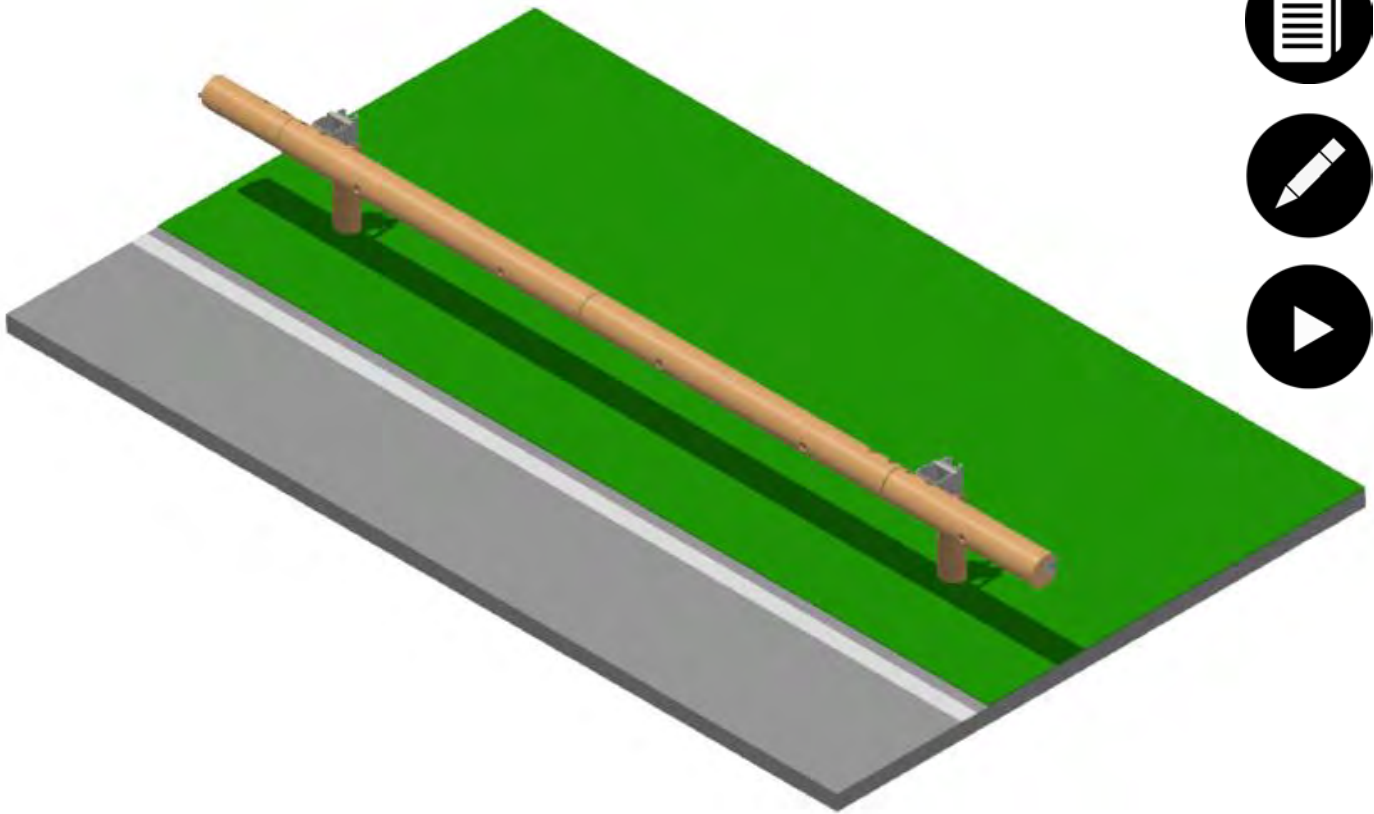
Application	Rammed
Type	Wood/steel
Construction width (m)	0,368
Construction height (m)	0,67
Beam shape	-
Post shape	C100
Post distance (m)	2,00
Post length (m)	1,50
Loading capacity (m)	-



MB2 4.0

Steel and wood road guardrail

N2 W7 A



Performances

Containment level	N2
Normalized working width (m)	2,30
Class of normalized working width	W7
Acceleration Severity Index (ASI)	A
Normalized dynamic deflection (m)	2,10
Vehicle Intrusion (VI)	-
THIV (Km/h)	21
Tested length (m)	56,00
CE certificate number	2131-CPR-930

Geometrical characteristics

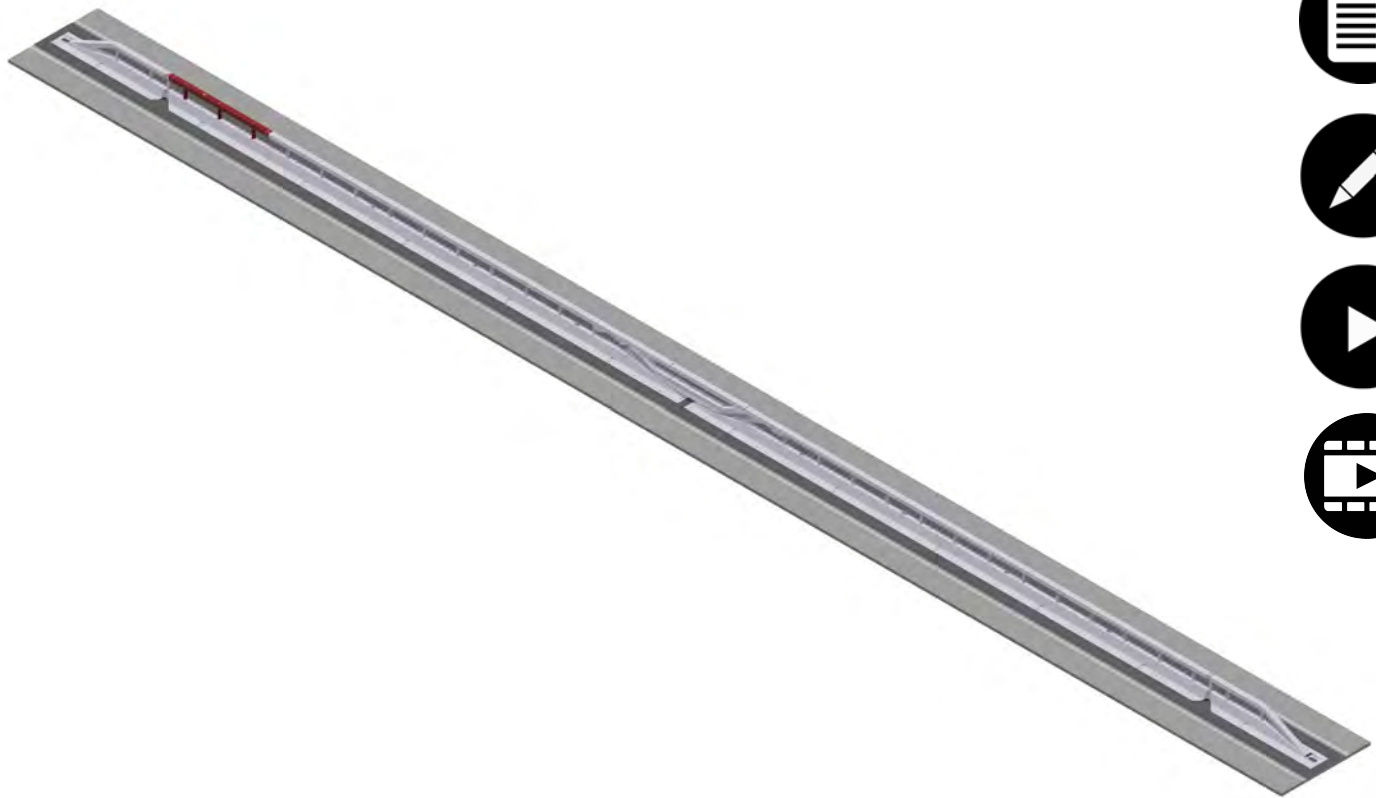
Application	Rammed
Type	Wood/steel
Construction width (m)	0,68
Construction height (m)	0,67
Beam shape	-
Post shape	C100
Post distance (m)	4,00
Post length (m)	1,50
Loading capacity (m)	-



GATE-GUARD

Steel road guardrail

H2 W7 B



Performances

Containment level	H2
Normalized working width (m)	2,30
Class of normalized working width	W7
Acceleration Severity Index (ASI)	B
Normalized dynamic deflection (m)	1,60
Vehicle Intrusion (VI)	-
THIV (Km/h)	33
Tested length (m)	48,80
CE certificate number	1826-CPR-10-DR06

Geometrical characteristics

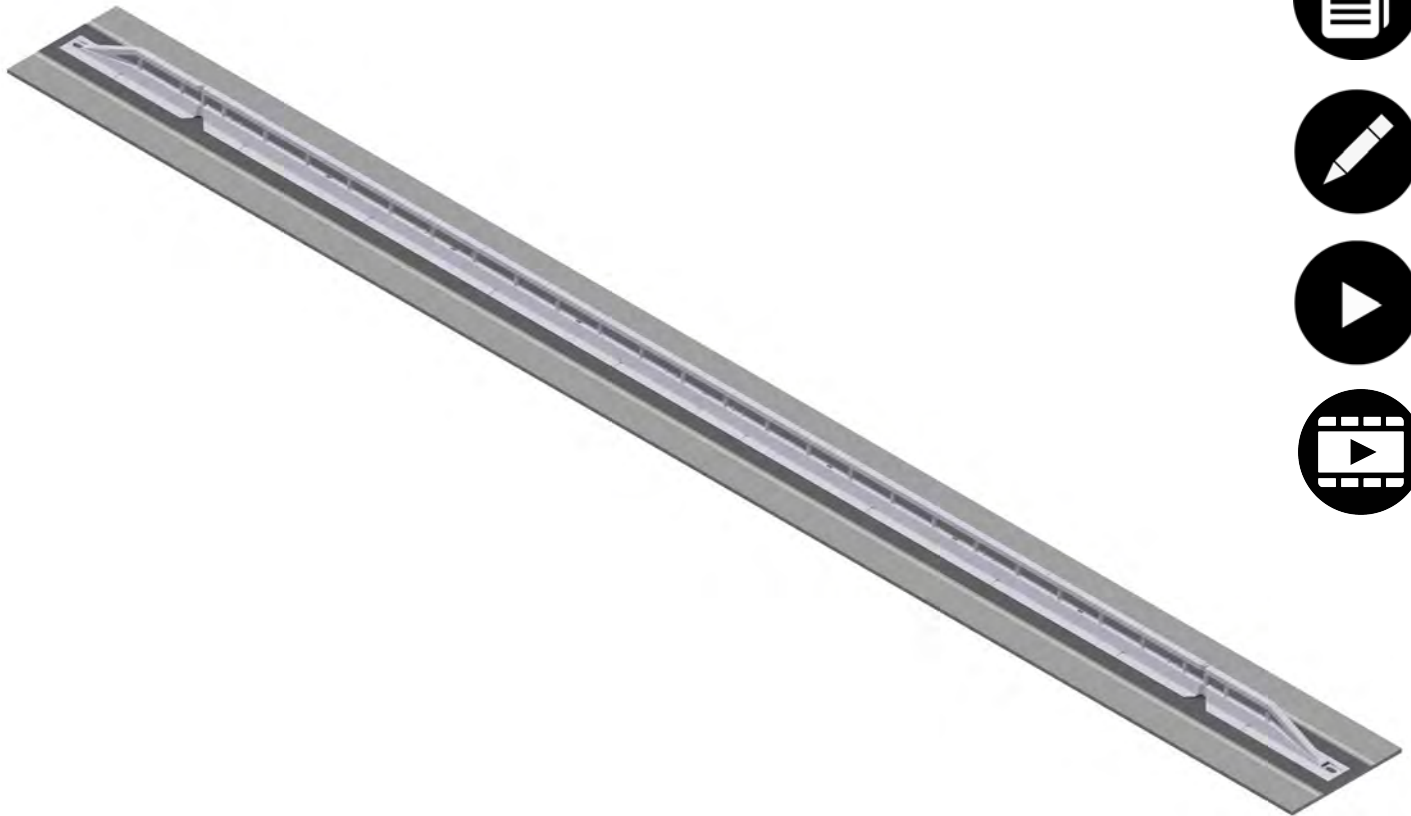
Application	Opening system
Type	Double
Construction width (m)	0,7
Construction height (m)	0,90
Beam shape	-
Post shape	-
Post distance (m)	-
Post length (m)	-
Loading capacity (m)	112,00



GATE-GUARD QC

Steel road guardrail

H2 W8 B



Performances

Containment level	H2
Normalized working width (m)	3,20
Class of normalized working width	W8
Acceleration Severity Index (ASI)	B
Normalized dynamic deflection (m)	2,50
Vehicle Intrusion (VI)	-
THIV (Km/h)	24
Tested length (m)	40,00
CE certificate number	2251-CPR-0183

Geometrical characteristics

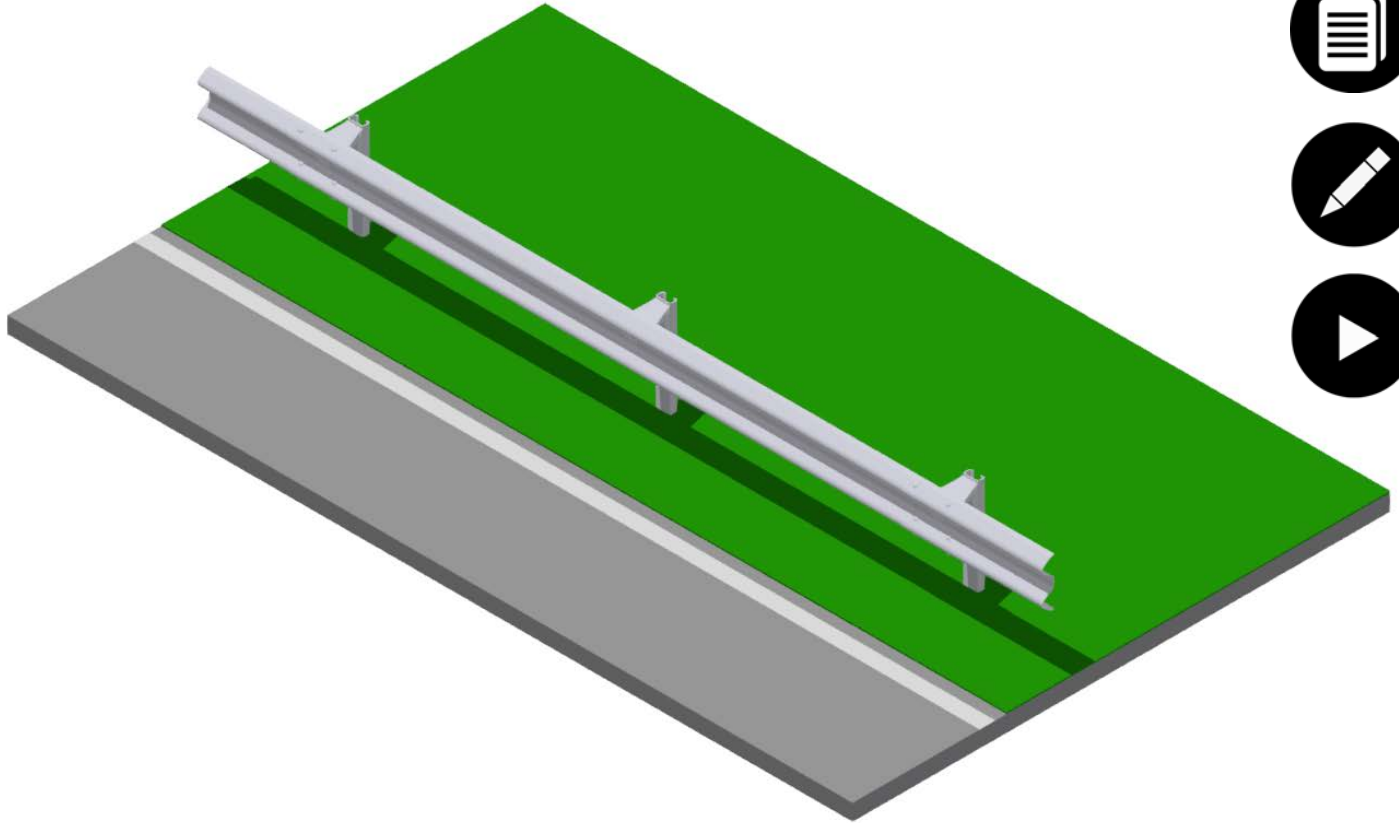
Application	Opening system
Type	Double
Construction width (m)	0,7
Construction height (m)	0,90
Beam shape	-
Post shape	-
Post distance (m)	-
Post length (m)	-
Loading capacity (m)	112,00



MGs 2.0

Steel road guardrail

N2 W5 A



Performances

Containment level	N2
Normalized working width (m)	1,40
Class of normalized working width	W5
Acceleration Severity Index (ASI)	A
Normalized dynamic deflection (m)	1,20
Vehicle Intrusion (VI)	-
THIV (Km/h)	22
Tested length (m)	80,00
CE certificate number	1826-CPR-12-DR12

Geometrical characteristics

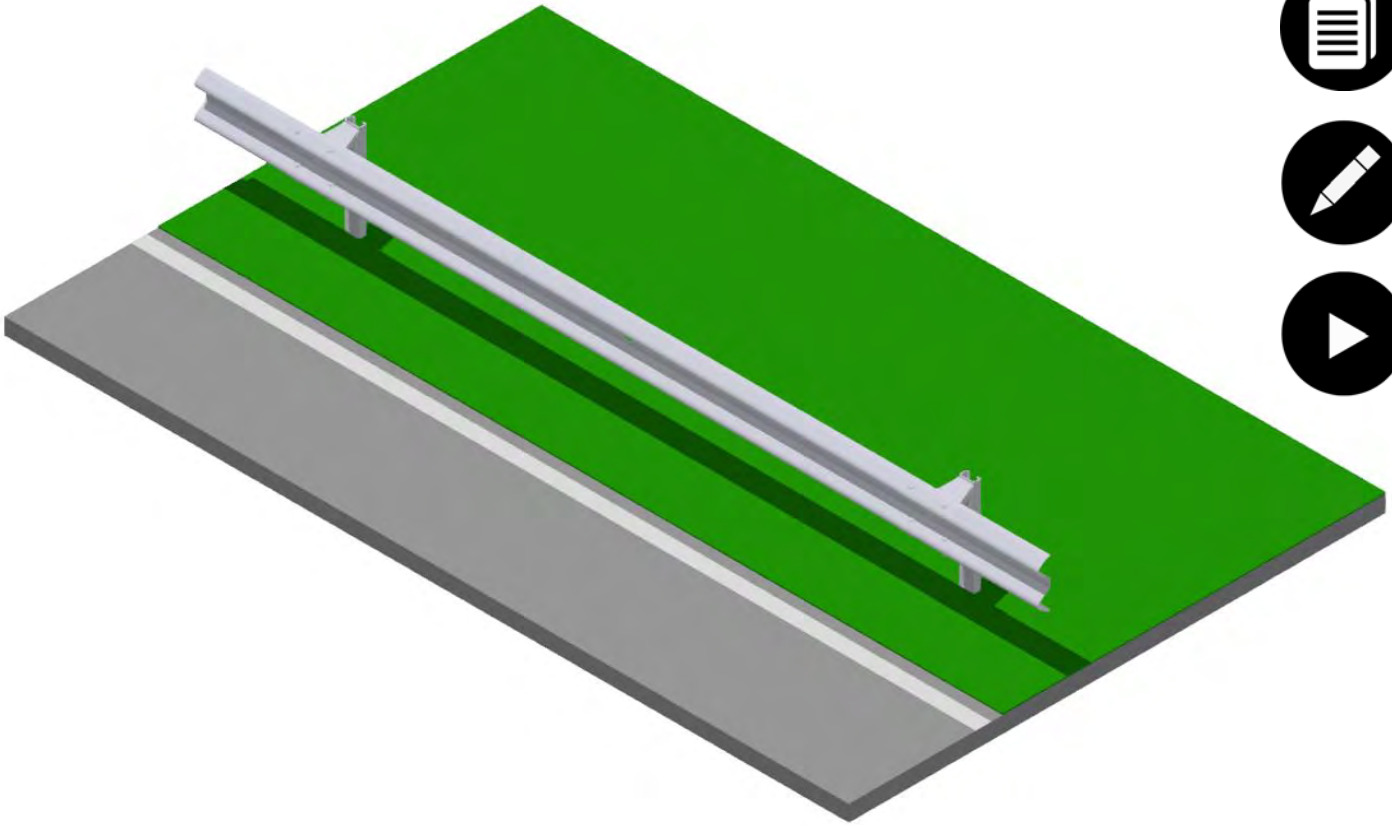
Application	Rammed
Type	Single
Construction width (m)	0,33
Construction height (m)	0,70
Beam shape	AF
Post shape	C 100
Post distance (m)	2,00
Post length (m)	1,50
Loading capacity (m)	-



MGs 4.0

Steel road guardrail

N2 W6 A



Performances

Containment level	N2
Normalized working width (m)	1,90
Class of normalized working width	W6
Acceleration Severity Index (ASI)	A
Normalized dynamic deflection (m)	1,60
Vehicle Intrusion (VI)	-
THIV (Km/h)	21,5
Tested length (m)	80,00
CE certificate number	1826-CPR-12-DR13

Geometrical characteristics

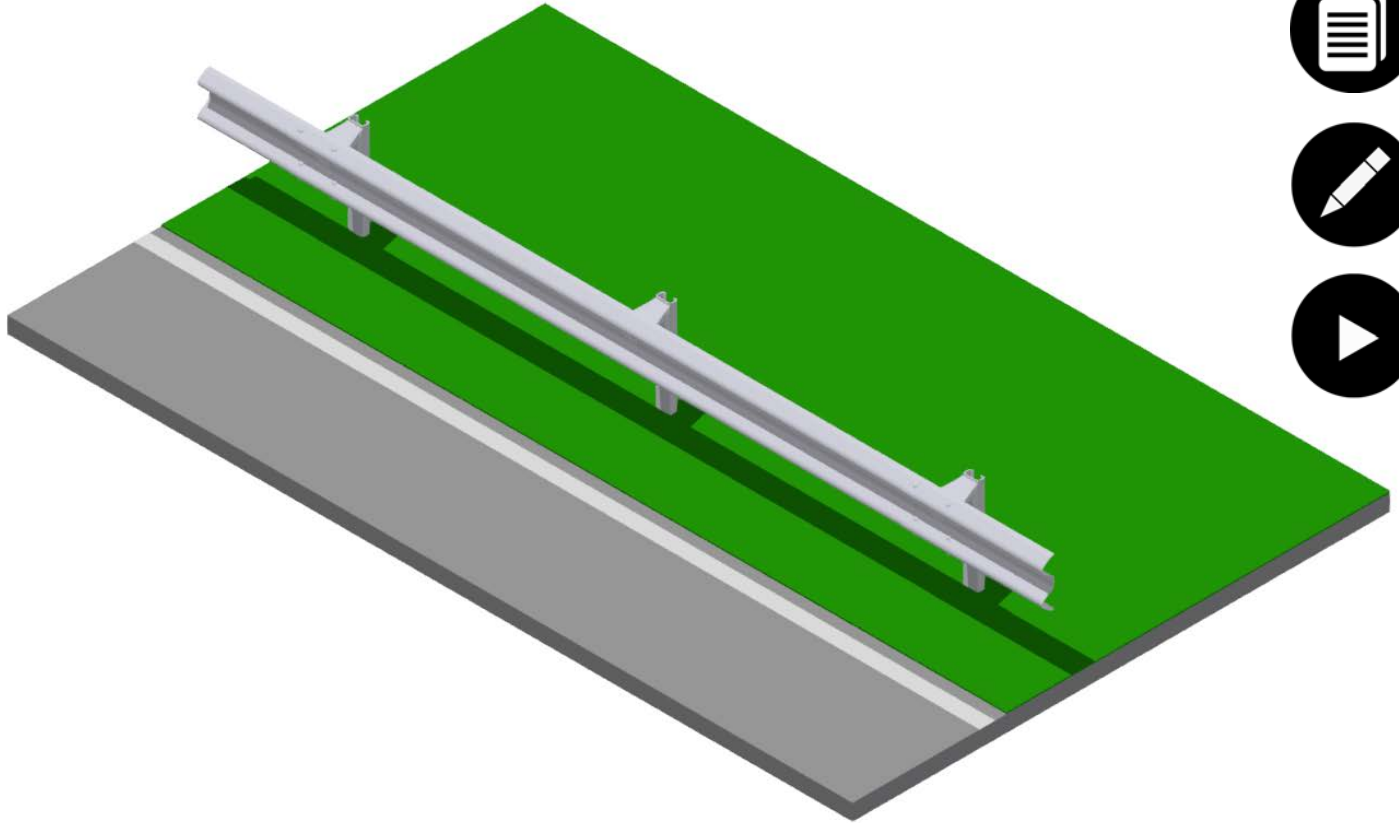
Application	Rammed
Type	Single
Construction width (m)	0,34
Construction height (m)	0,70
Beam shape	AF
Post shape	C 100
Post distance (m)	4,00
Post length (m)	1,50
Loading capacity (m)	1320,00



GS2 P

Steel road guardrail

N2 W4 A



Performances

Containment level	N2
Normalized working width (m)	1,30
Class of normalized working width	W4
Acceleration Severity Index (ASI)	A
Normalized dynamic deflection (m)	1,10
Vehicle Intrusion (VI)	-
THIV (Km/h)	22
Tested length (m)	92,00
CE certificate number	1826-CPR-09-02-05-DR01

Geometrical characteristics

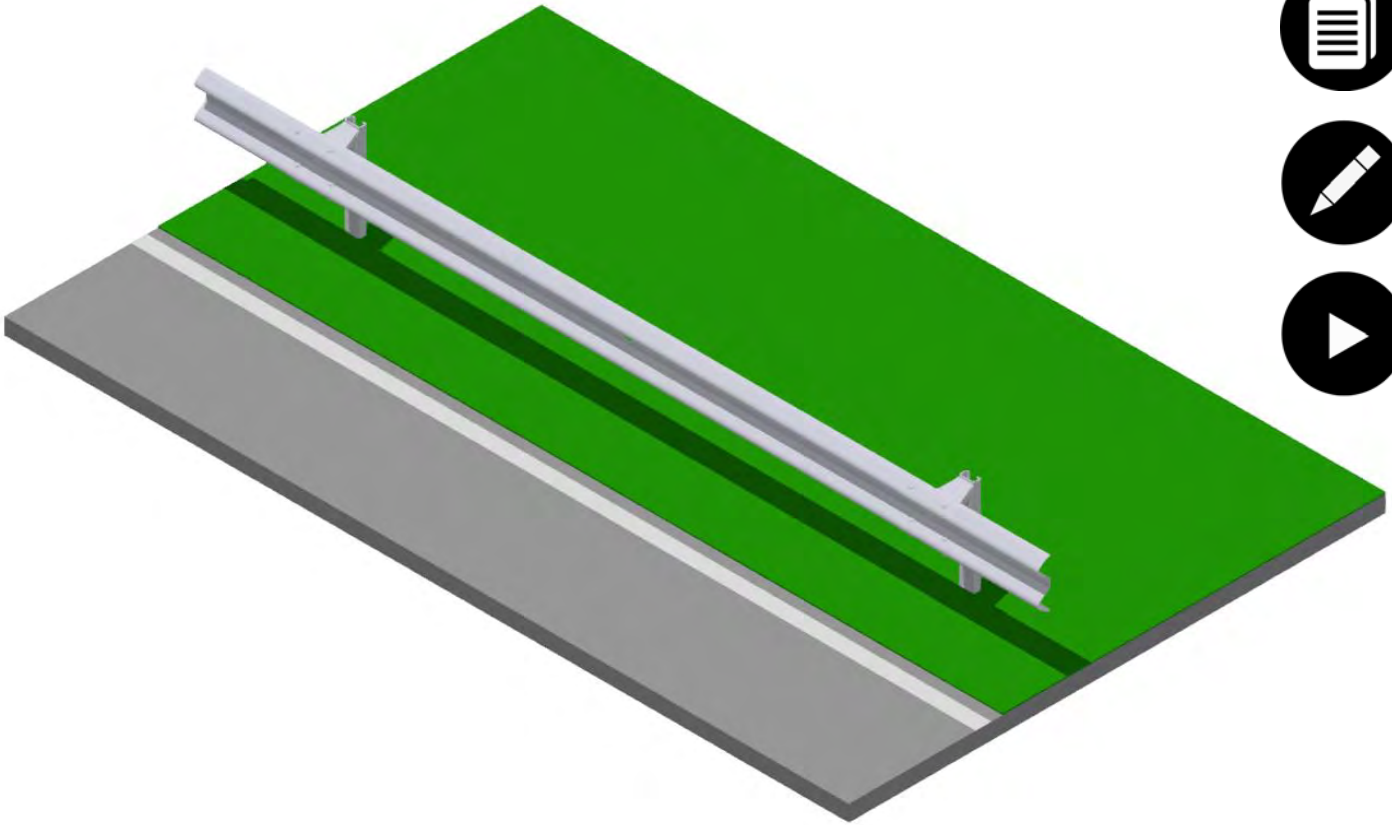
Application	Rammed
Type	Single
Construction width (m)	0,33
Construction height (m)	0,70
Beam shape	AF
Post shape	C 100
Post distance (m)	2,00
Post length (m)	1,50
Loading capacity (m)	-



GS4 P

Steel road guardrail

N2 W5 A



Performances

Containment level	N2
Normalized working width (m)	1,70
Class of normalized working width	W5
Acceleration Severity Index (ASI)	A
Normalized dynamic deflection (m)	1,40
Vehicle Intrusion (VI)	-
THIV (Km/h)	21,5
Tested length (m)	92,00
CE certificate number	1826-CPR-10-02-12-DR02

Geometrical characteristics

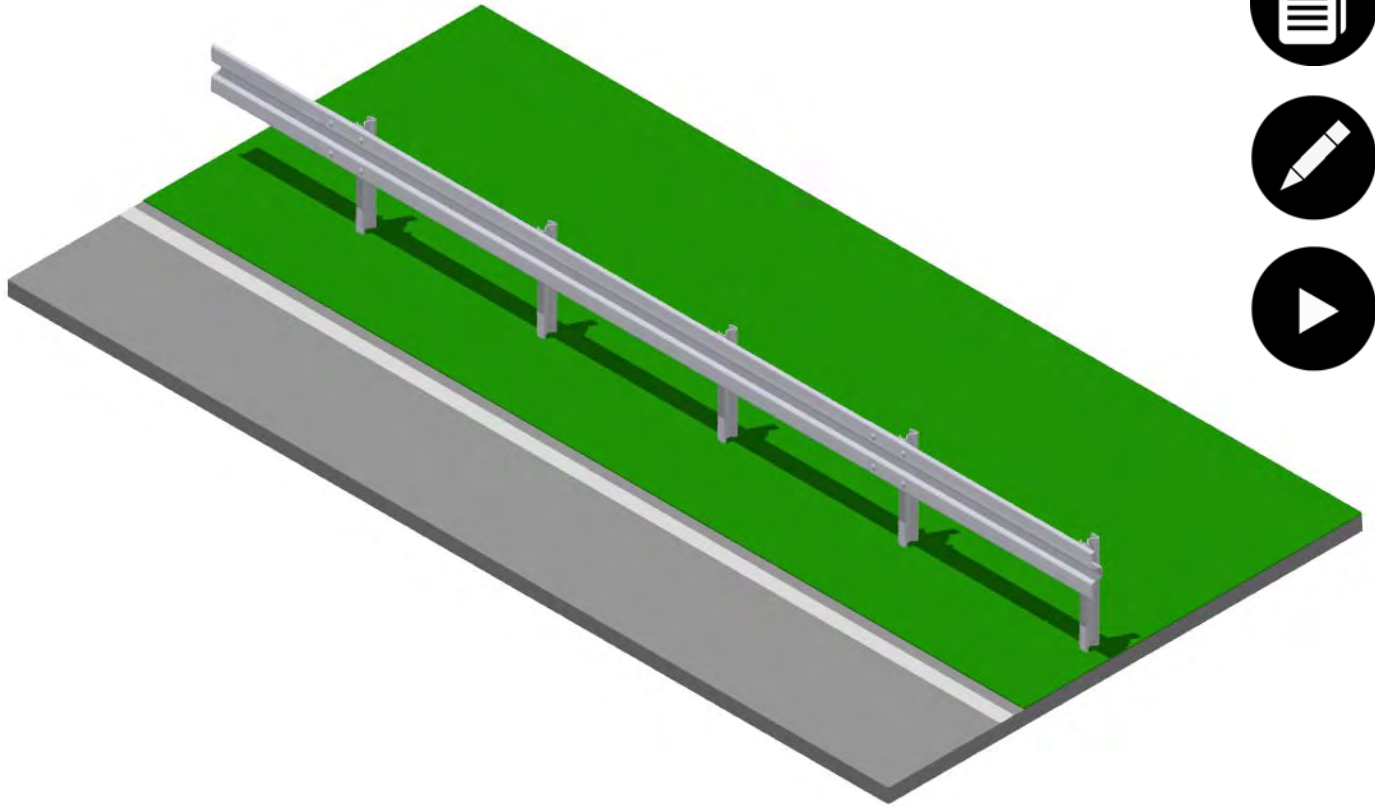
Application	Rammed
Type	Single
Construction width (m)	0,34
Construction height (m)	0,70
Beam shape	AF
Post shape	C 100
Post distance (m)	4,00
Post length (m)	1,50
Loading capacity (m)	1320,00



HBB 1.33

Steel road guardrail

N2 W2 A



Performances

Containment level	N2
Normalized working width (m)	0,80
Class of normalized working width	W2
Acceleration Severity Index (ASI)	A
Normalized dynamic deflection (m)	0,70
Vehicle Intrusion (VI)	-
THIV (Km/h)	28
Tested length (m)	40,00
CE certificate number	2251-CPR-0181

Geometrical characteristics

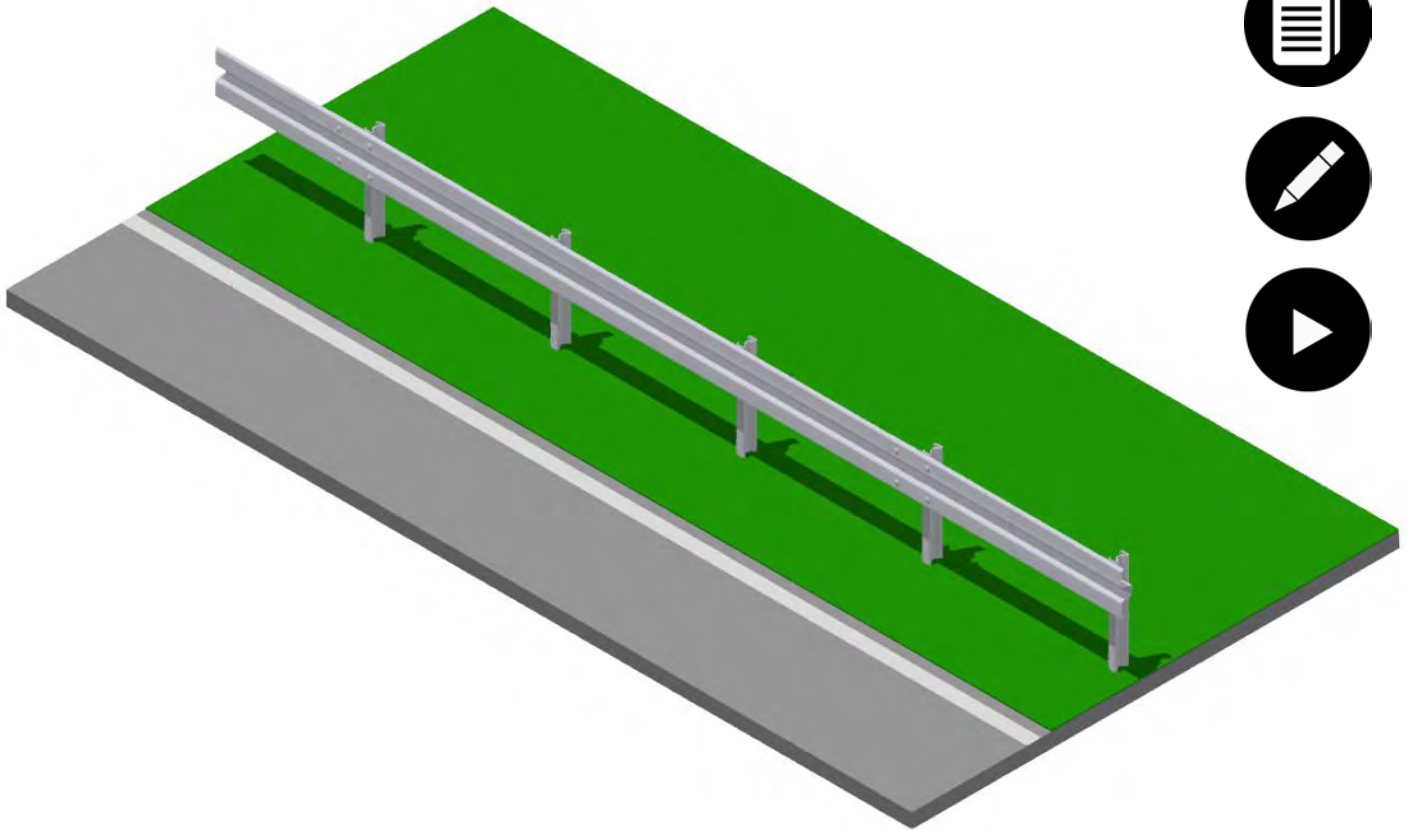
Application	Rammed
Type	Single
Construction width (m)	0,19
Construction height (m)	0,75
Beam shape	A/B/AF
Post shape	Sigma
Post distance (m)	1,33
Post length (m)	1,75
Loading capacity (m)	912,00



HBB 1.33

Steel road guardrail

H1 W4 A



Performances

Containment level	H1
Normalized working width (m)	1,30
Class of normalized working width	W4
Acceleration Severity Index (ASI)	A
Normalized dynamic deflection (m)	1,20
Vehicle Intrusion (VI)	2,6
THIV (Km/h)	28
Tested length (m)	52,00
CE certificate number	2251-CPR-0181

Geometrical characteristics

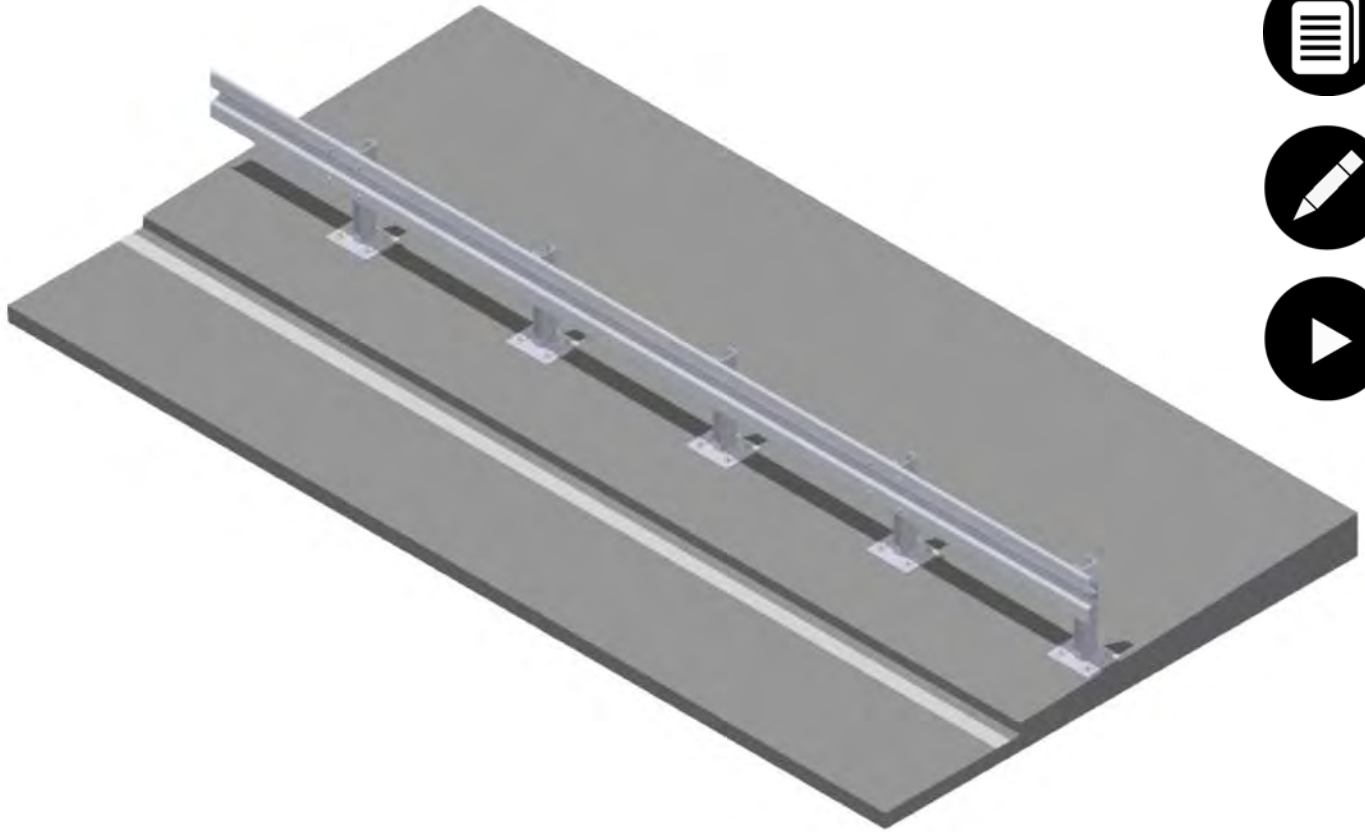
Application	Rammed
Type	Single
Construction width (m)	0,19
Construction height (m)	0,75
Beam shape	A/B/AF
Post shape	Sigma
Post distance (m)	1,33
Post length (m)	1,75
Loading capacity (m)	912,00



HBB 1.33 BW

Steel road guardrail

H1 W2 A



Performances

Containment level	H1
Normalized working width (m)	0,80
Class of normalized working width	W2
Acceleration Severity Index (ASI)	A
Normalized dynamic deflection (m)	0,70
Vehicle Intrusion (VI)	1,5
THIV (Km/h)	31
Tested length (m)	60,00
CE certificate number	2251-CPR-0181

Geometrical characteristics

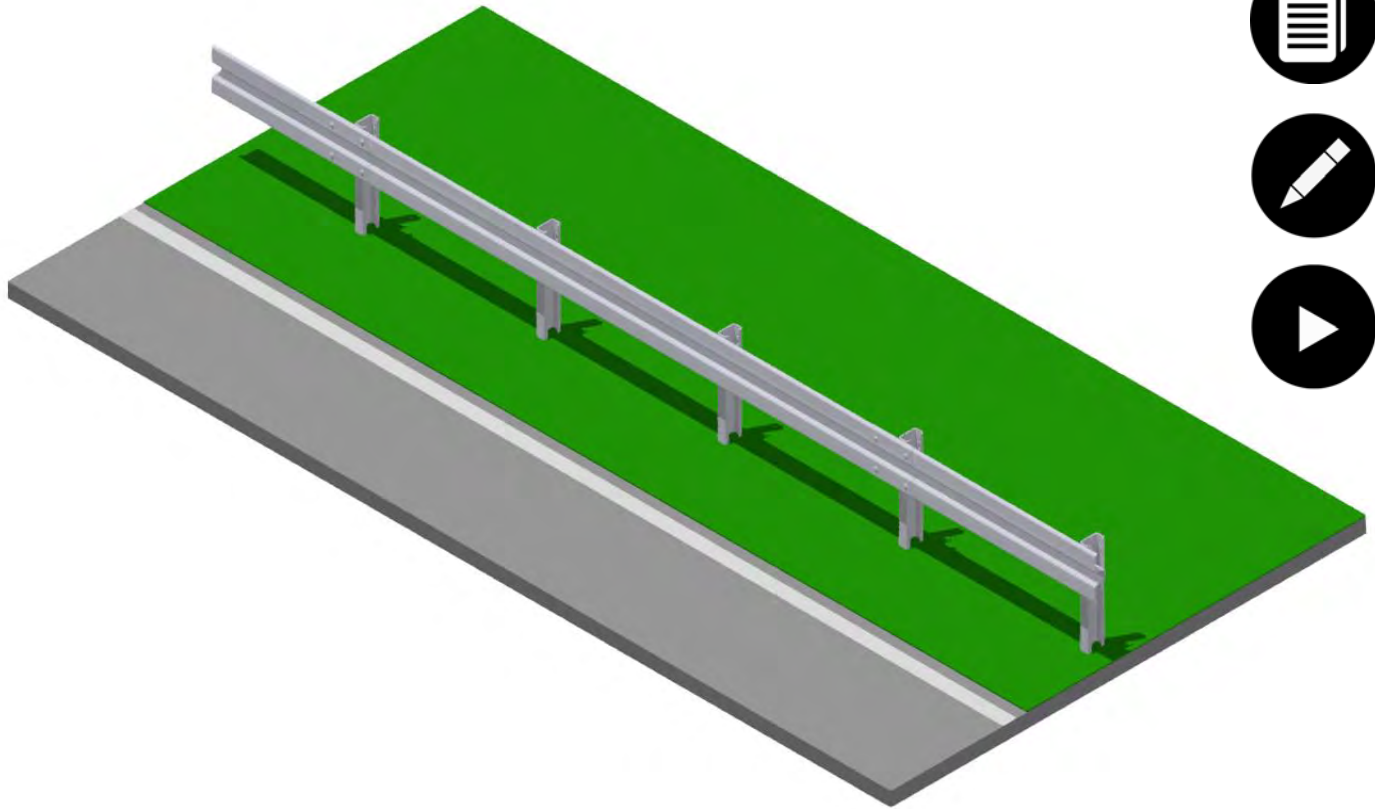
Application	On structures
Type	Single
Construction width (m)	0,27
Construction height (m)	0,75
Beam shape	A/B/AF
Post shape	C 125
Post distance (m)	1,33
Post length (m)	0,59
Loading capacity (m)	-



HBB 1.33 Plus

Steel road guardrail

N2 W2 A



Performances

Containment level	N2
Normalized working width (m)	0,80
Class of normalized working width	W2
Acceleration Severity Index (ASI)	A
Normalized dynamic deflection (m)	0,70
Vehicle Intrusion (VI)	-
THIV (Km/h)	32,7
Tested length (m)	52,00
CE certificate number	2251-CPR-0181

Geometrical characteristics

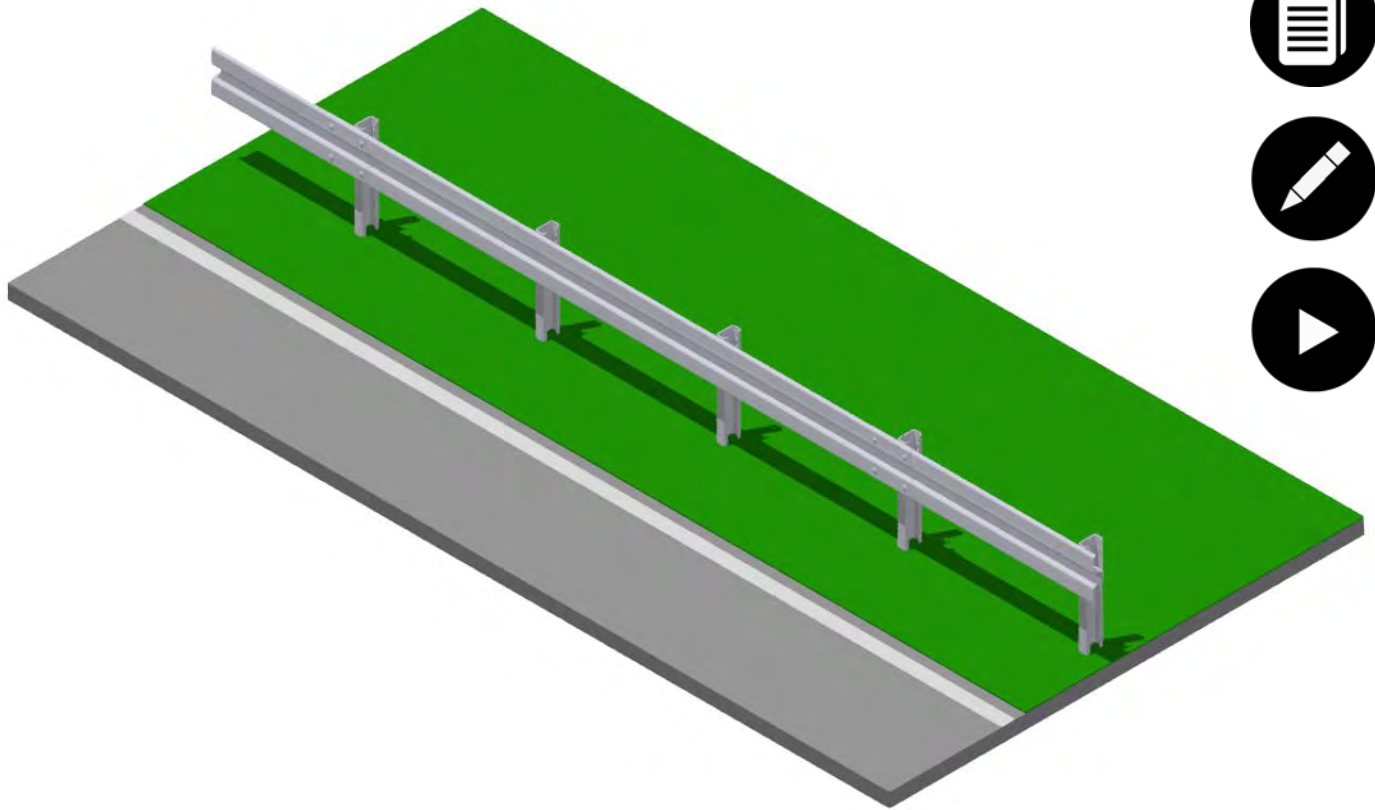
Application	Rammed
Type	Single
Construction width (m)	0,21
Construction height (m)	0,75
Beam shape	A/B/AF
Post shape	C 125
Post distance (m)	1,33
Post length (m)	1,75
Loading capacity (m)	776,00



HBB 1.33 Plus

Steel road guardrail

H1 W3 A



Performances

Containment level	H1
Normalized working width (m)	1,00
Class of normalized working width	W3
Acceleration Severity Index (ASI)	A
Normalized dynamic deflection (m)	0,90
Vehicle Intrusion (VI)	1,6
THIV (Km/h)	31
Tested length (m)	52,00
CE certificate number	2251-CPR-0181

Geometrical characteristics

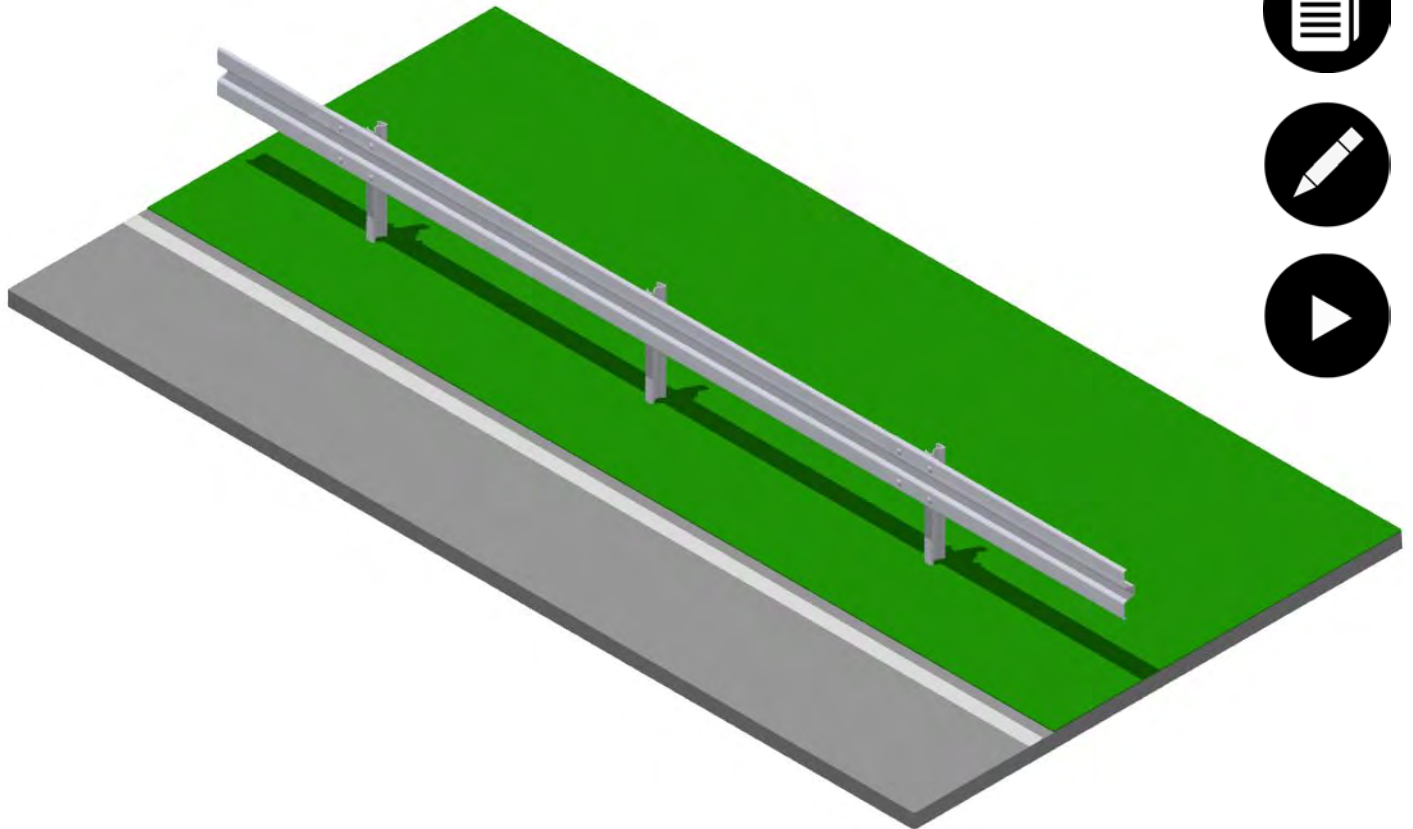
Application	Rammed
Type	Single
Construction width (m)	0,21
Construction height (m)	0,75
Beam shape	A/B/AF
Post shape	C 125
Post distance (m)	1,33
Post length (m)	1,75
Loading capacity (m)	-



HBB 2.0

Steel road guardrail

N2 W4 A



Performances

Containment level	N2
Normalized working width (m)	1,3 (A) 1,2 (B)
Class of normalized working width	W4
Acceleration Severity Index (ASI)	A
Normalized dynamic deflection (m)	1,2 (A) 1,1 (B)
Vehicle Intrusion (VI)	-
THIV (Km/h)	22
Tested length (m)	40,00
CE certificate number	2251-CPR-0181

Geometrical characteristics

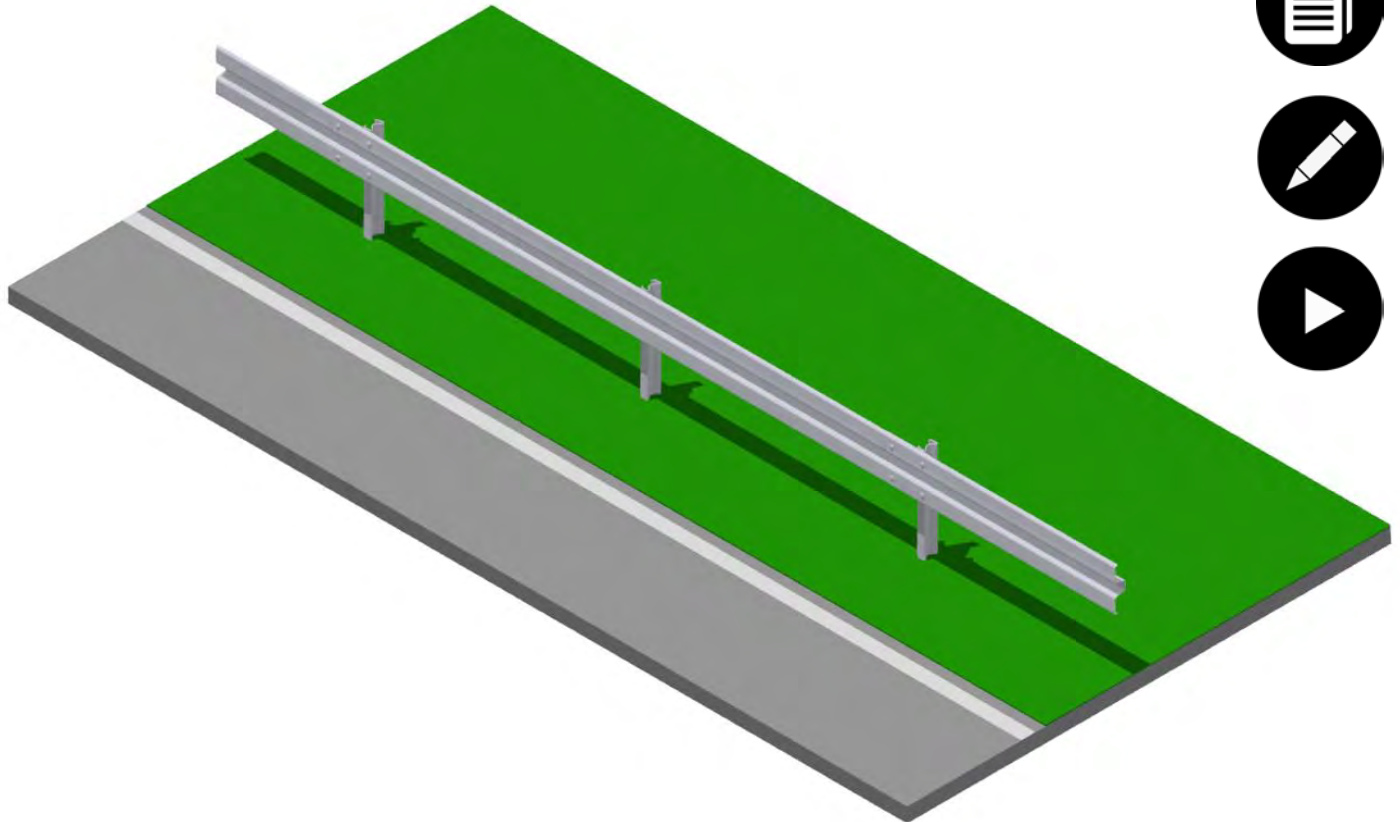
Application	Rammed
Type	Single
Construction width (m)	0,19
Construction height (m)	0,75
Beam shape	A/B/AF
Post shape	Sigma
Post distance (m)	2,00
Post length (m)	1,75
Loading capacity (m)	1084,00



HBB 2.0 b

Steel road guardrail

N2 W3 A



Performances

Containment level	N2
Normalized working width (m)	1,20
Class of normalized working width	W3
Acceleration Severity Index (ASI)	A
Normalized dynamic deflection (m)	1,10
Vehicle Intrusion (VI)	-
THIV (Km/h)	22
Tested length (m)	40,00
CE certificate number	2251-CPR-0181

Geometrical characteristics

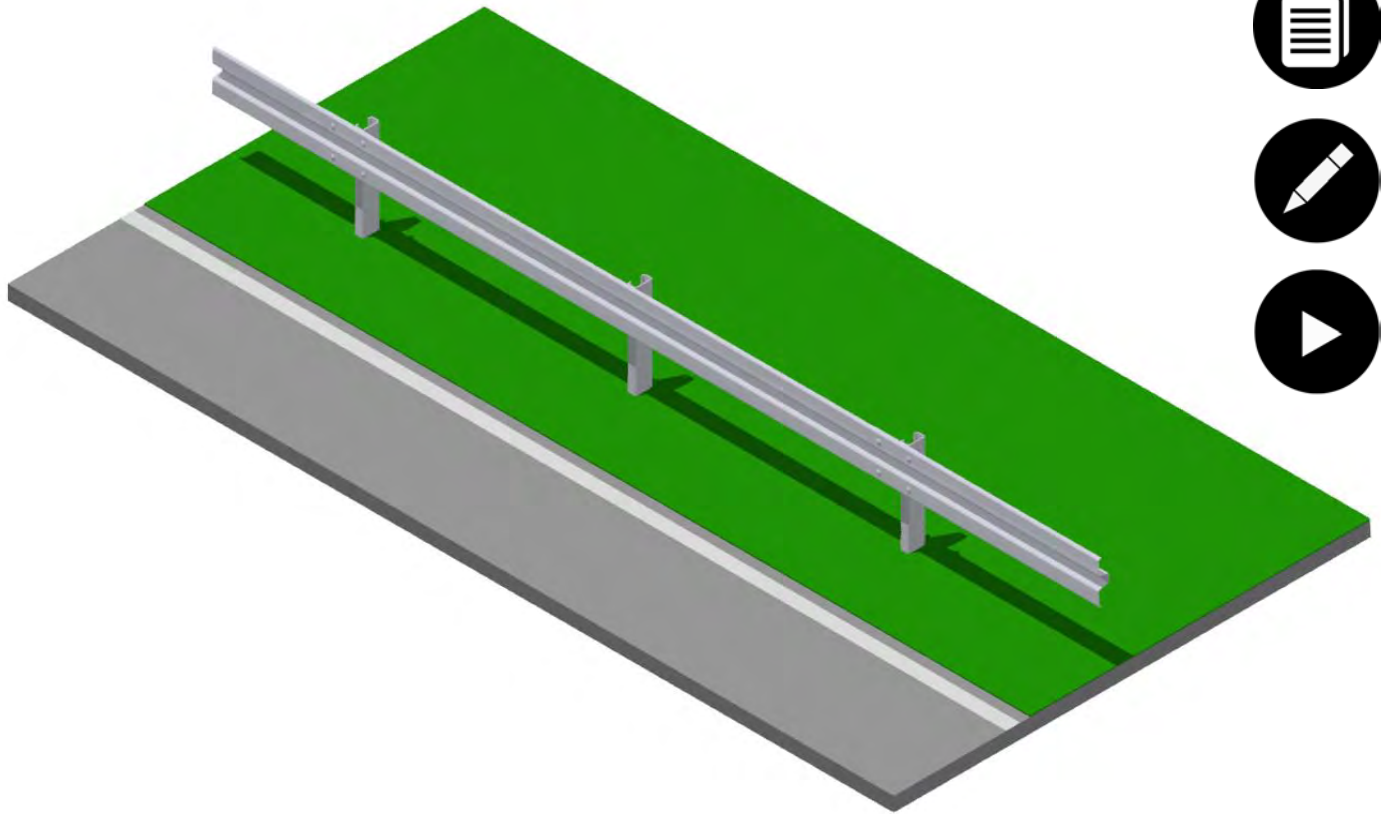
Application	Rammed
Type	Single
Construction width (m)	0,19
Construction height (m)	0,75
Beam shape	A/B/AF
Post shape	Sigma
Post distance (m)	2,00
Post length (m)	1,90
Loading capacity (m)	1060,00



HBB 2.0 Plus

Steel road guardrail

N2 W3 A



Performances

Containment level	N2
Normalized working width (m)	1,00
Class of normalized working width	W3
Acceleration Severity Index (ASI)	A
Normalized dynamic deflection (m)	0,90
Vehicle Intrusion (VI)	-
THIV (Km/h)	31
Tested length (m)	40,00
CE certificate number	2251-CPR-0181

Geometrical characteristics

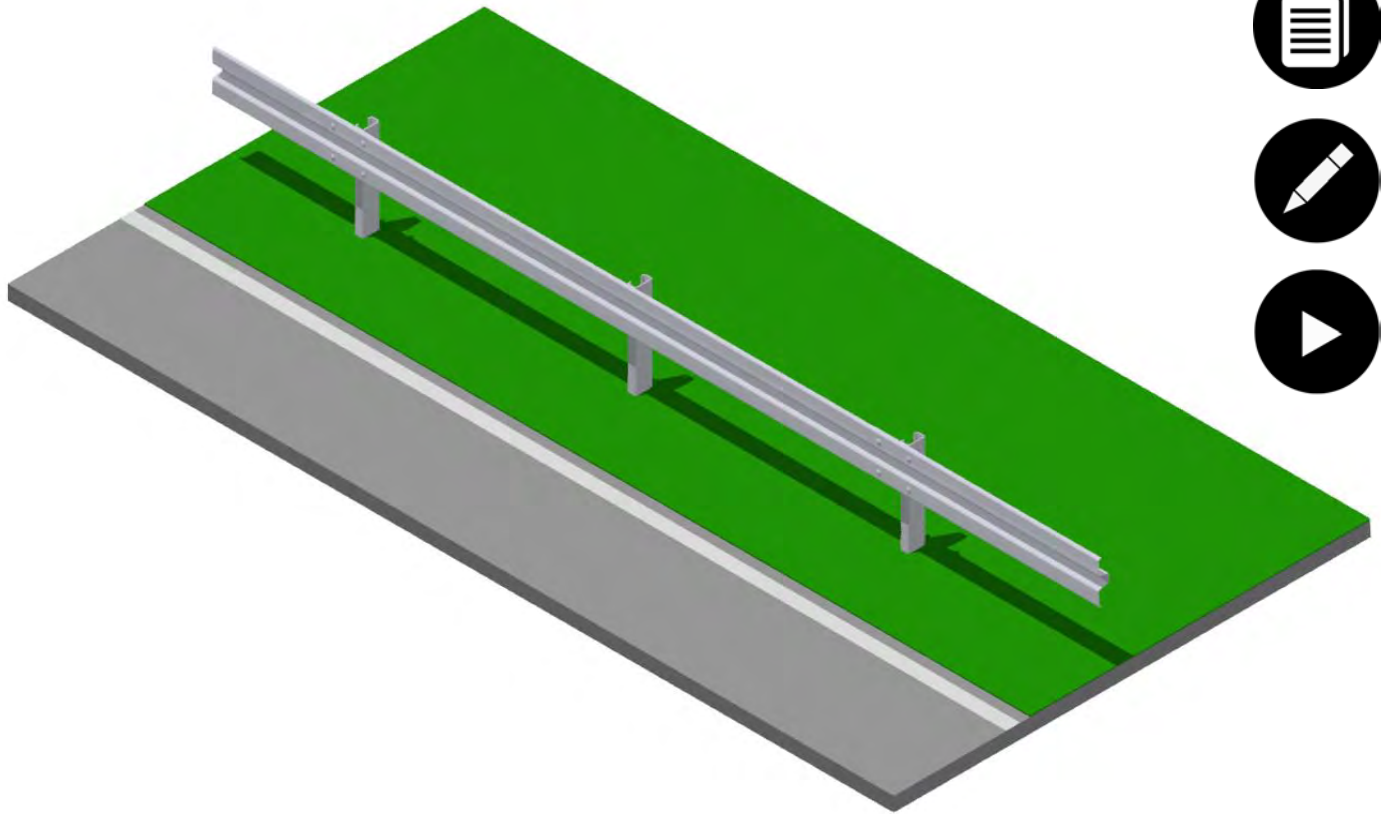
Application	Rammed
Type	Single
Construction width (m)	0,21
Construction height (m)	0,75
Beam shape	A/B/AF
Post shape	C 125
Post distance (m)	2,00
Post length (m)	1,60
Loading capacity (m)	1000,00



HBB 2.0 Plus

Steel road guardrail

H1 W4 A



Performances

Containment level	H1
Normalized working width (m)	1,20
Class of normalized working width	W4
Acceleration Severity Index (ASI)	A
Normalized dynamic deflection (m)	1,10
Vehicle Intrusion (VI)	2,1
THIV (Km/h)	31
Tested length (m)	52,00
CE certificate number	2251-CPR-0181

Geometrical characteristics

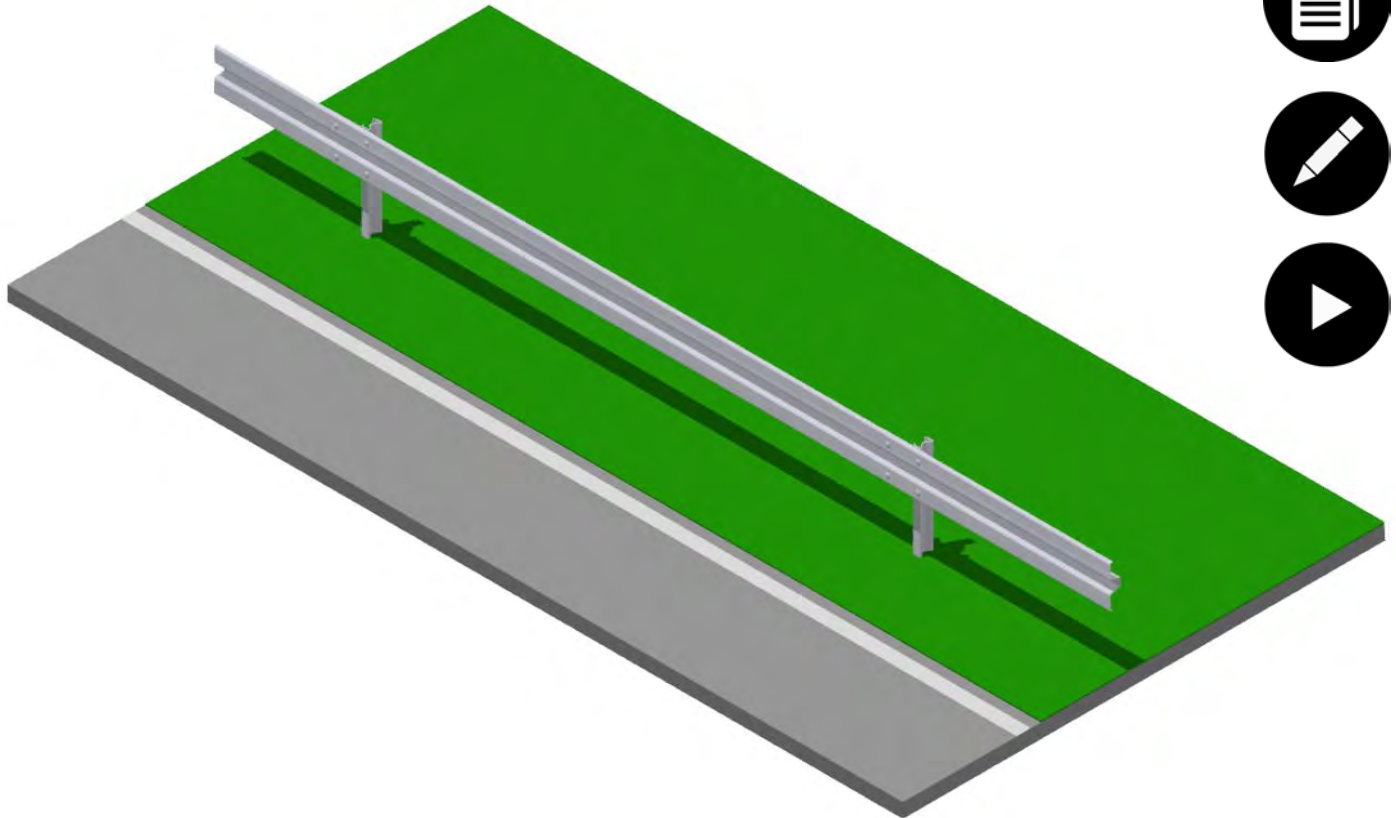
Application	Rammed
Type	Single
Construction width (m)	0,21
Construction height (m)	0,75
Beam shape	A/B/AF
Post shape	C 125
Post distance (m)	2,00
Post length (m)	1,60
Loading capacity (m)	-



HBB 4.0

Steel road guardrail

N2 W5 A



Performances

Containment level	N2
Normalized working width (m)	1,50
Class of normalized working width	W5
Acceleration Severity Index (ASI)	A
Normalized dynamic deflection (m)	1,40
Vehicle Intrusion (VI)	-
THIV (Km/h)	18
Tested length (m)	40,00
CE certificate number	2251-CPR-0181

Geometrical characteristics

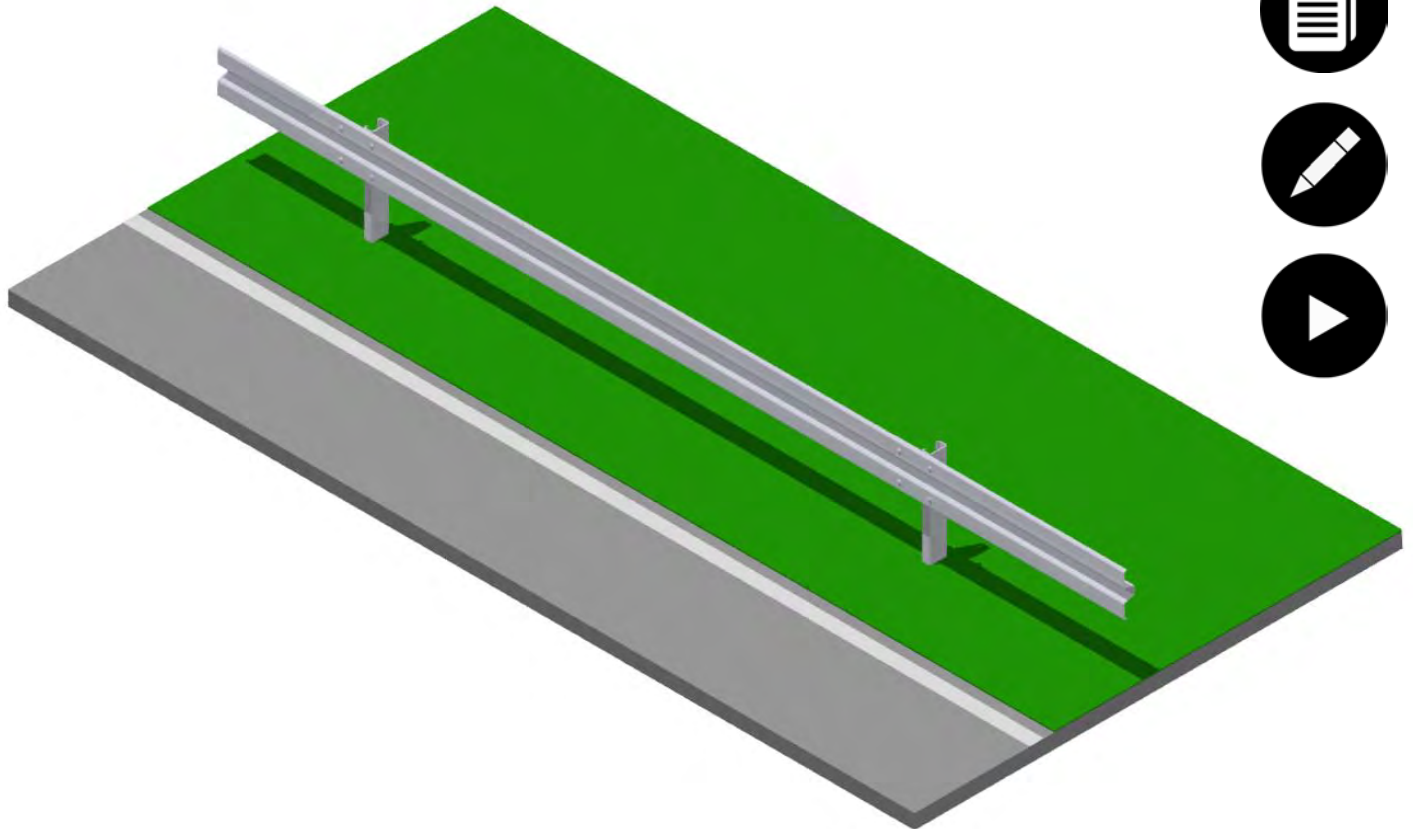
Application	Rammed
Type	Single
Construction width (m)	0,19
Construction height (m)	0,75
Beam shape	A/B/AF
Post shape	Sigma
Post distance (m)	4,00
Post length (m)	1,75
Loading capacity (m)	1340,00



HBB 4.0 Plus

Steel road guardrail

N2 W4 A



Performances

Containment level	N2
Normalized working width (m)	1,30
Class of normalized working width	W4
Acceleration Severity Index (ASI)	A
Normalized dynamic deflection (m)	1,20
Vehicle Intrusion (VI)	-
THIV (Km/h)	31
Tested length (m)	40,00
CE certificate number	2251-CPR-0181

Geometrical characteristics

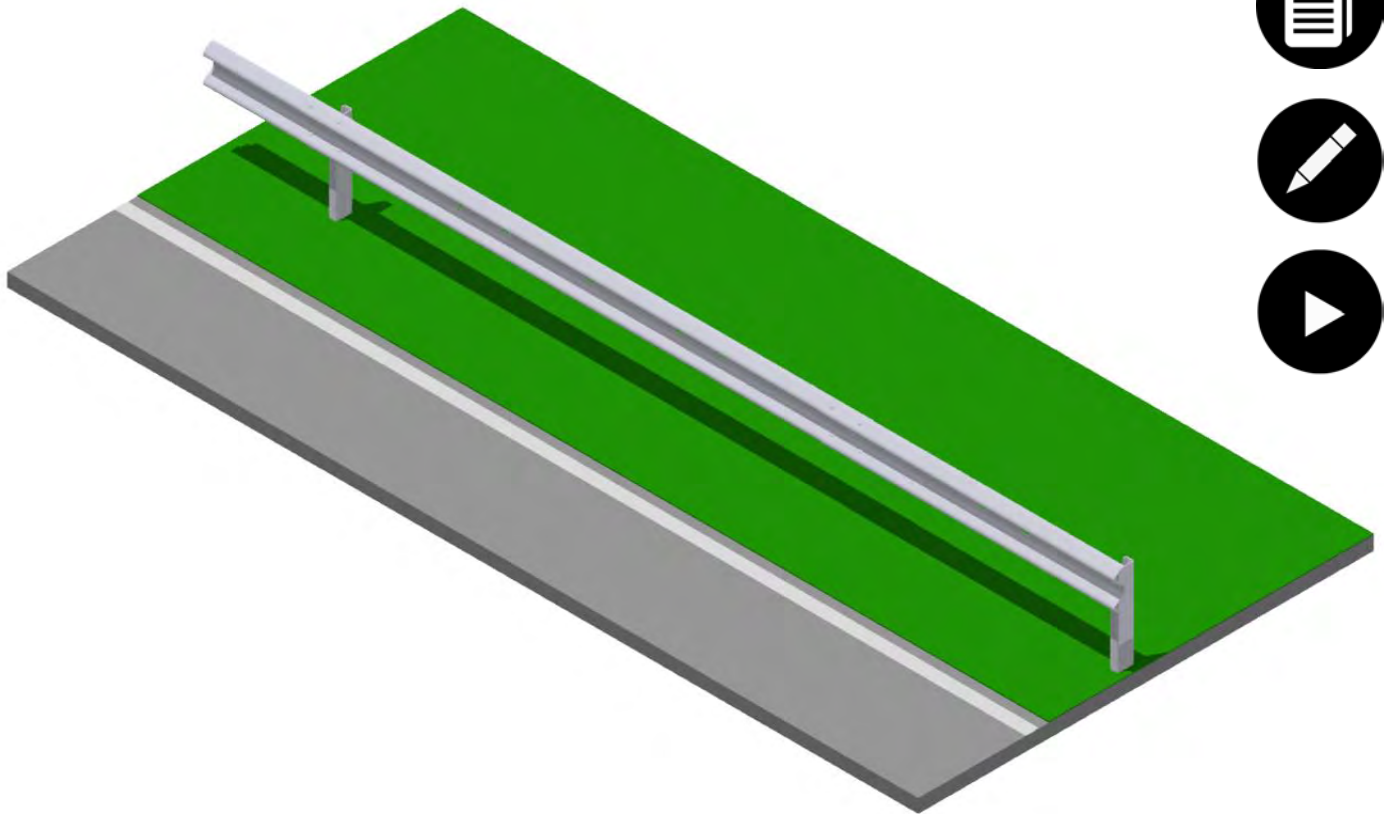
Application	Rammed
Type	Single
Construction width (m)	0,21
Construction height (m)	0,75
Beam shape	A/B/AF
Post shape	C 125
Post distance (m)	4,00
Post length (m)	1,75 / 160
Loading capacity (m)	-



HBB 6.0 Plus AF-HLK

Steel road guardrail

N2 W5 A



Performances

Containment level	N2
Normalized working width (m)	1,50
Class of normalized working width	W5
Acceleration Severity Index (ASI)	A
Normalized dynamic deflection (m)	1,40
Vehicle Intrusion (VI)	1,7
THIV (Km/h)	33
Tested length (m)	84,00
CE certificate number	2251-CPR-0181

Geometrical characteristics

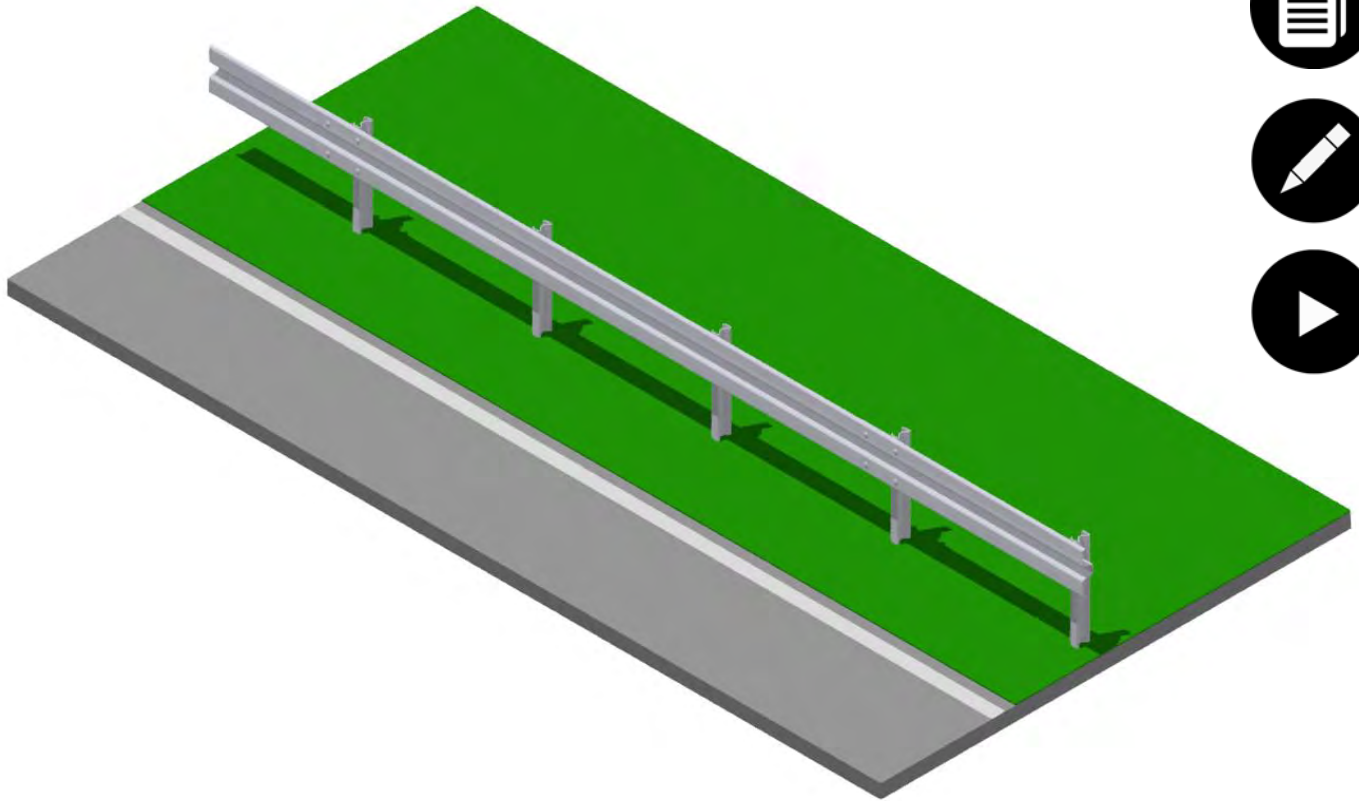
Application	Rammed
Type	Single
Construction width (m)	0,21
Construction height (m)	0,75
Beam shape	A/B/AF
Post shape	C125
Post distance (m)	6,00
Post length (m)	1,60
Loading capacity (m)	-



HLK 1.33

Steel road guardrail

N2 W2 A



Performances

Containment level	N2
Normalized working width (m)	0,80
Class of normalized working width	W2
Acceleration Severity Index (ASI)	A
Normalized dynamic deflection (m)	0,70
Vehicle Intrusion (VI)	-
THIV (Km/h)	31
Tested length (m)	40,00
CE certificate number	2251-CPR-0181

Geometrical characteristics

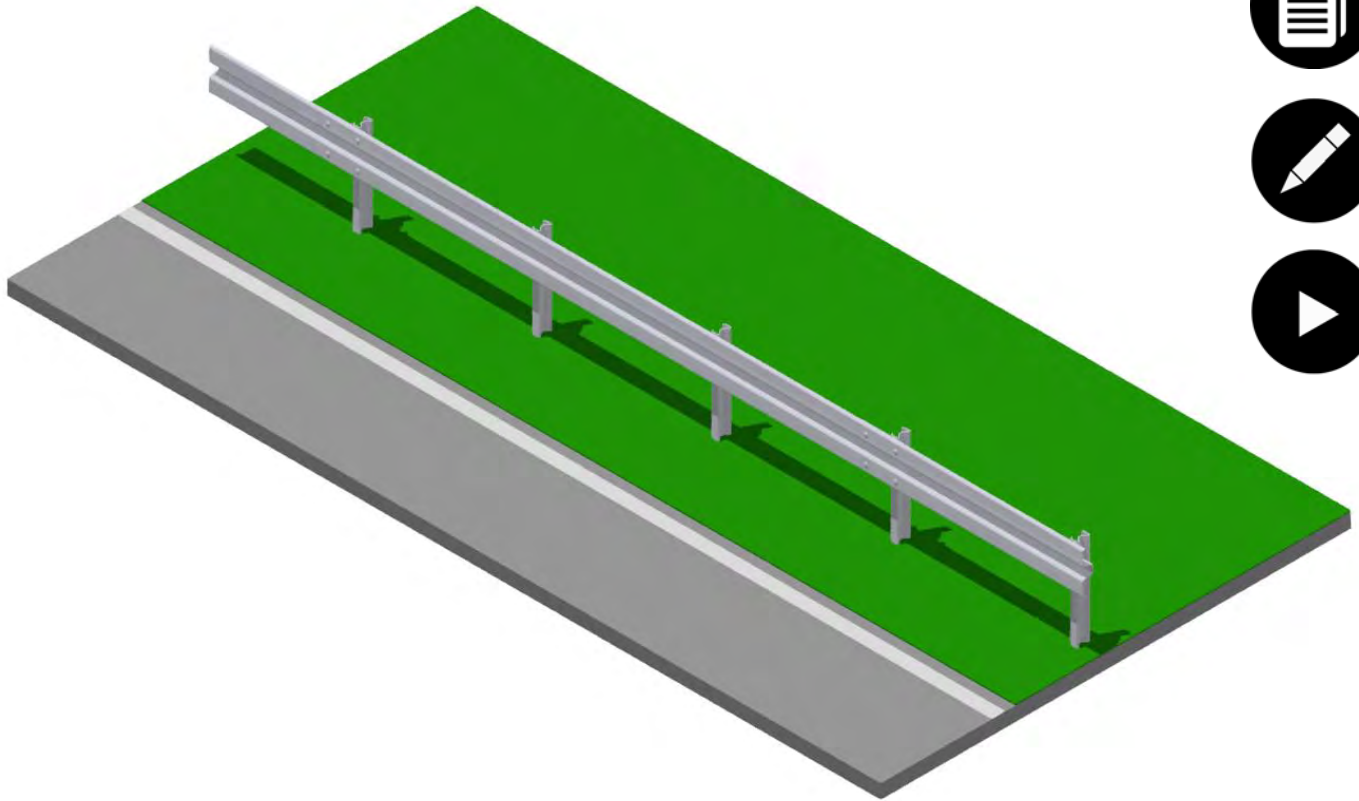
Application	Rammed
Type	Single
Construction width (m)	0,185
Construction height (m)	0,75
Beam shape	A/B/AF
Post shape	Sigma
Post distance (m)	1,33
Post length (m)	1,60
Loading capacity (m)	-



HLK 1.33

Steel road guardrail

H1 W4 A



Performances

Containment level	H1
Normalized working width (m)	1,30
Class of normalized working width	W4
Acceleration Severity Index (ASI)	A
Normalized dynamic deflection (m)	1,20
Vehicle Intrusion (VI)	2,6
THIV (Km/h)	32,7
Tested length (m)	52,00
CE certificate number	2251-CPR-0181

Geometrical characteristics

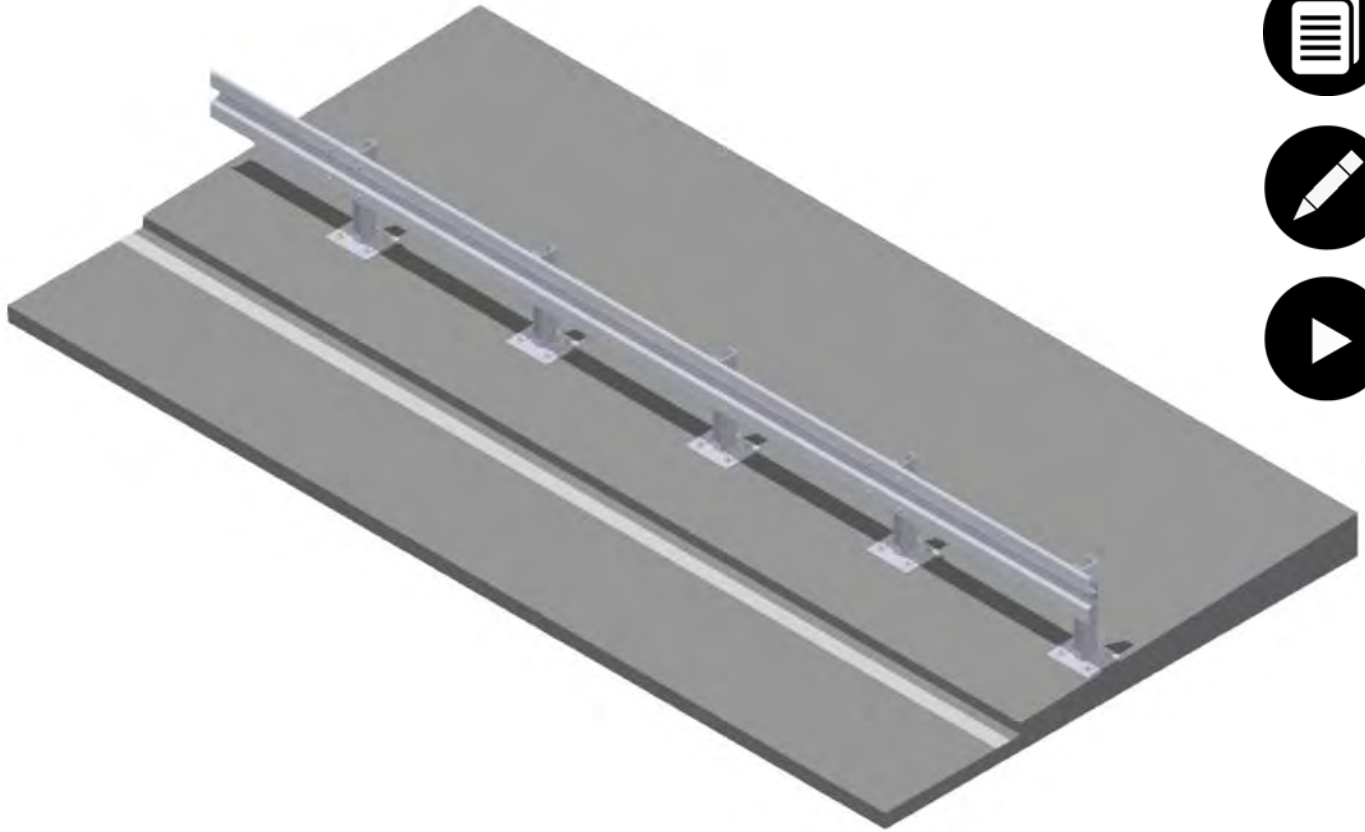
Application	Rammed
Type	Single
Construction width (m)	0,185
Construction height (m)	0,75
Beam shape	A/B/AF
Post shape	Sigma
Post distance (m)	1,33
Post length (m)	1,60
Loading capacity (m)	-



HLK 1.33 BW

Steel road guardrail

H1 W2 A



Performances

Containment level	H1
Normalized working width (m)	0,80
Class of normalized working width	W2
Acceleration Severity Index (ASI)	A
Normalized dynamic deflection (m)	0,70
Vehicle Intrusion (VI)	1,5
THIV (Km/h)	32,7
Tested length (m)	60,00
CE certificate number	2251-CPR-0181

Geometrical characteristics

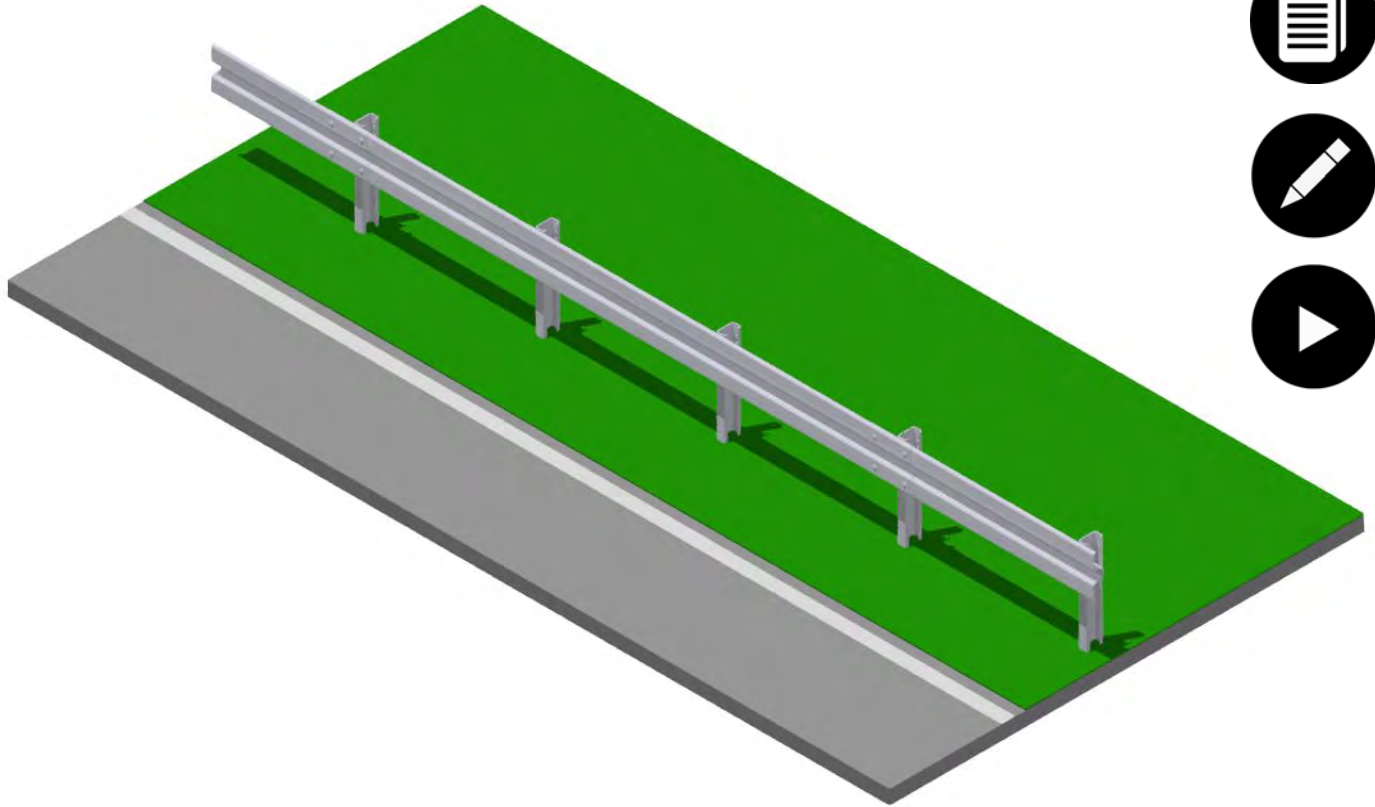
Application	On structures
Type	Single
Construction width (m)	0,27
Construction height (m)	0,75
Beam shape	A/B/AF
Post shape	-
Post distance (m)	1,33
Post length (m)	-
Loading capacity (m)	-



HLK 1.33 Plus

Steel road guardrail

N2 W2 A



Performances

Containment level	N2
Normalized working width (m)	1,00
Class of normalized working width	W2
Acceleration Severity Index (ASI)	A
Normalized dynamic deflection (m)	0,90
Vehicle Intrusion (VI)	1,6
THIV (Km/h)	32,7
Tested length (m)	52,00
CE certificate number	2251-CPR-0181

Geometrical characteristics

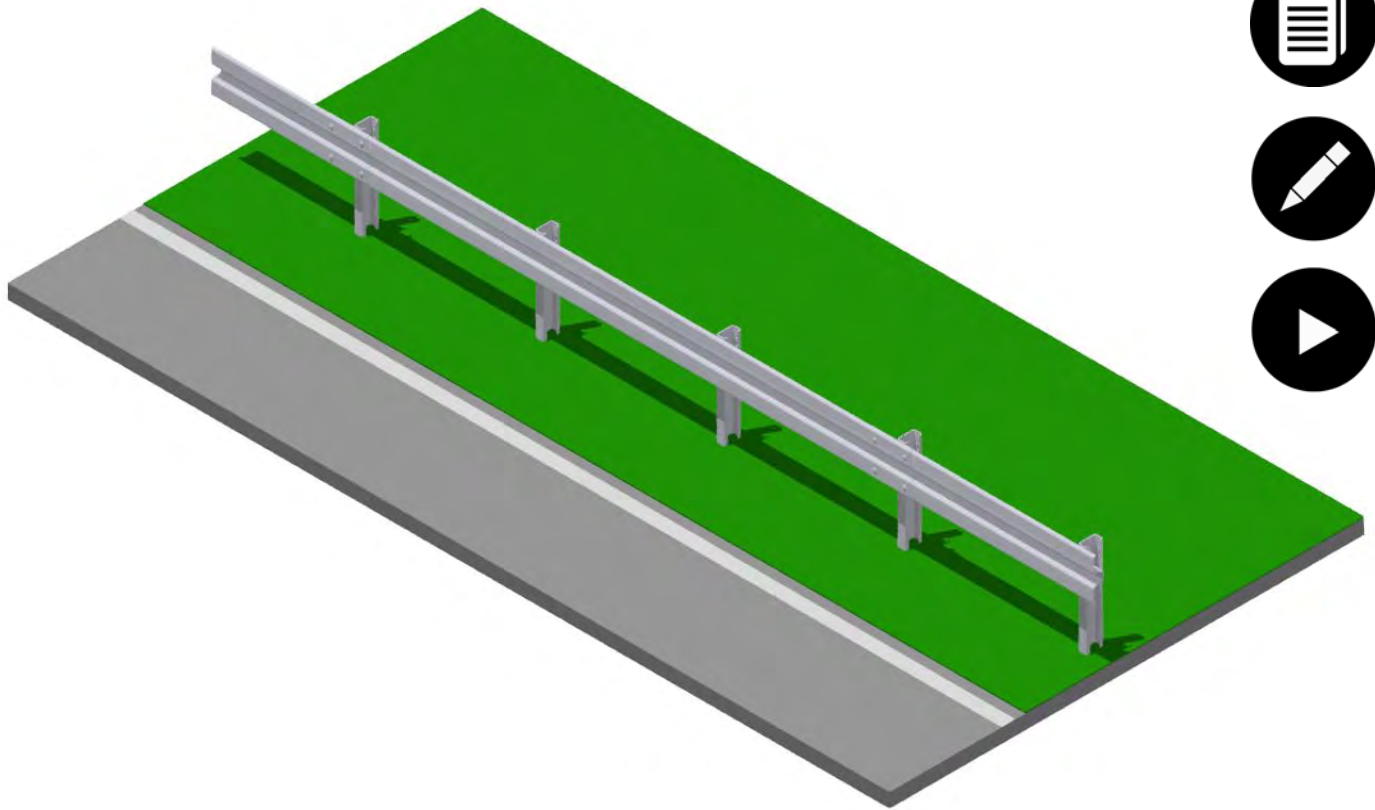
Application	Rammed
Type	Single
Construction width (m)	0,21
Construction height (m)	0,75
Beam shape	A/B/AF
Post shape	C 125
Post distance (m)	1,33
Post length (m)	1,60
Loading capacity (m)	-



HLK 1.33 Plus

Steel road guardrail

H1 W3 A



Performances

Containment level	H1
Normalized working width (m)	1,00
Class of normalized working width	W3
Acceleration Severity Index (ASI)	A
Normalized dynamic deflection (m)	0,90
Vehicle Intrusion (VI)	1,6
THIV (Km/h)	32,7
Tested length (m)	52,00
CE certificate number	2251-CPR-0181

Geometrical characteristics

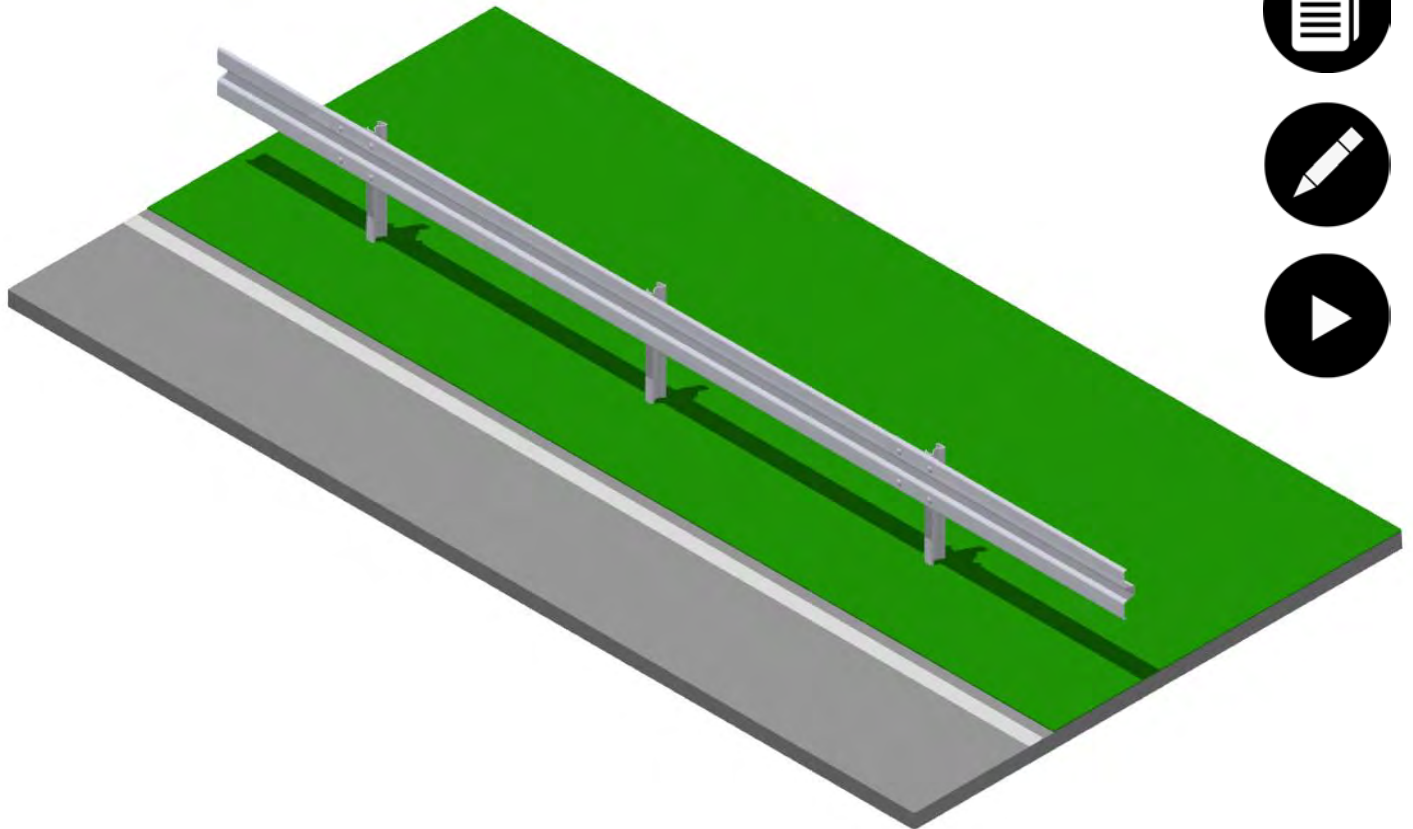
Application	Rammed
Type	Single
Construction width (m)	0,21
Construction height (m)	0,75
Beam shape	A/B/AF
Post shape	C 125
Post distance (m)	1,33
Post length (m)	1,60
Loading capacity (m)	-



HLK 2.0

Steel road guardrail

N2 W4 A



Performances

Containment level	N2
Normalized working width (m)	1,3 (A) 1,2 (B)
Class of normalized working width	W4
Acceleration Severity Index (ASI)	A
Normalized dynamic deflection (m)	1,2 (A) 1,1 (B)
Vehicle Intrusion (VI)	-
THIV (Km/h)	32,7
Tested length (m)	40,00
CE certificate number	2251-CPR-0181

Geometrical characteristics

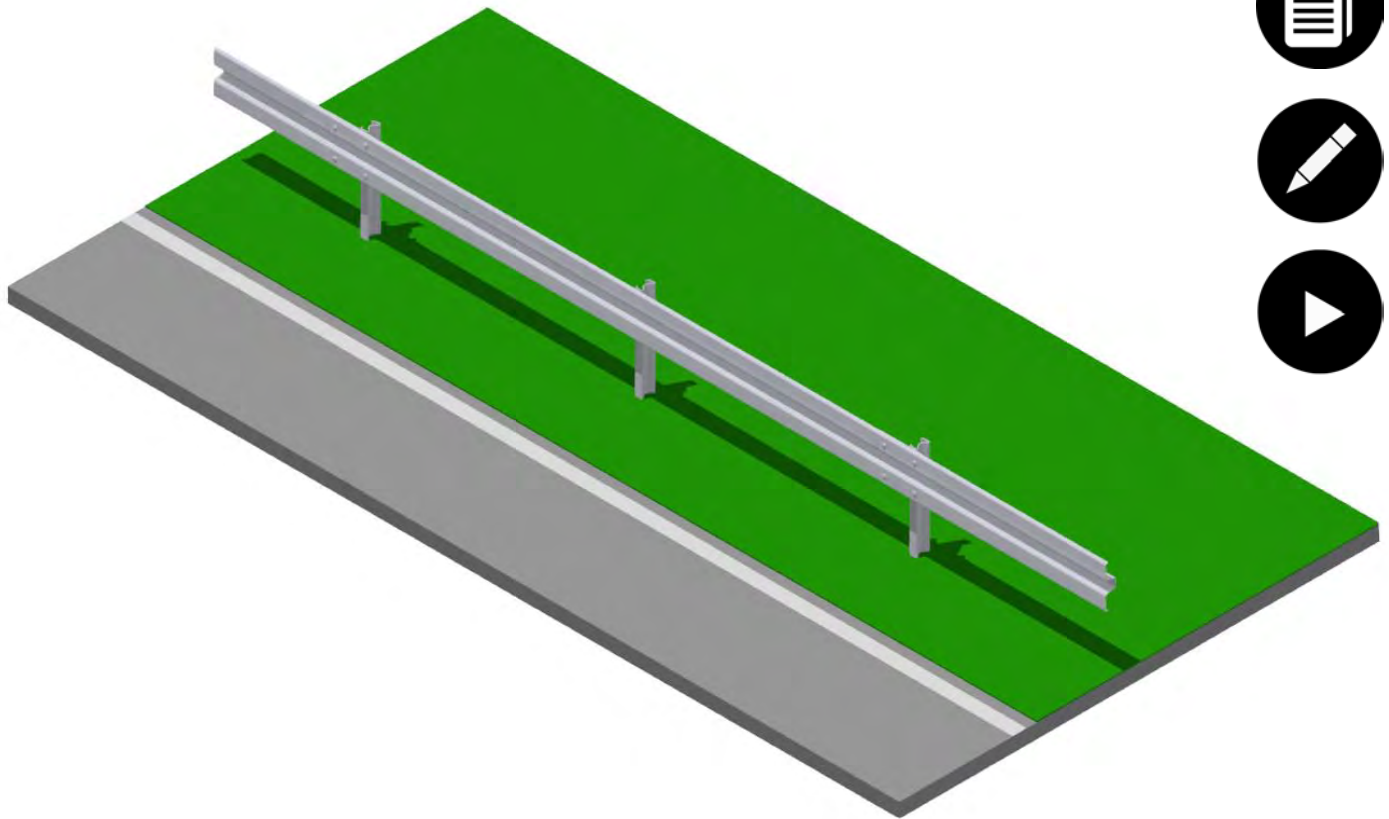
Application	Rammed
Type	Single
Construction width (m)	0,185
Construction height (m)	0,75
Beam shape	A/B/AF
Post shape	Sigma
Post distance (m)	2,00
Post length (m)	1,60
Loading capacity (m)	-



HLK 2.0 b

Steel road guardrail

N2 W3 A



Performances

Containment level	N2
Normalized working width (m)	1,20
Class of normalized working width	W3
Acceleration Severity Index (ASI)	A
Normalized dynamic deflection (m)	1,10
Vehicle Intrusion (VI)	-
THIV (Km/h)	32,7
Tested length (m)	40,00
CE certificate number	2251-CPR-0181

Geometrical characteristics

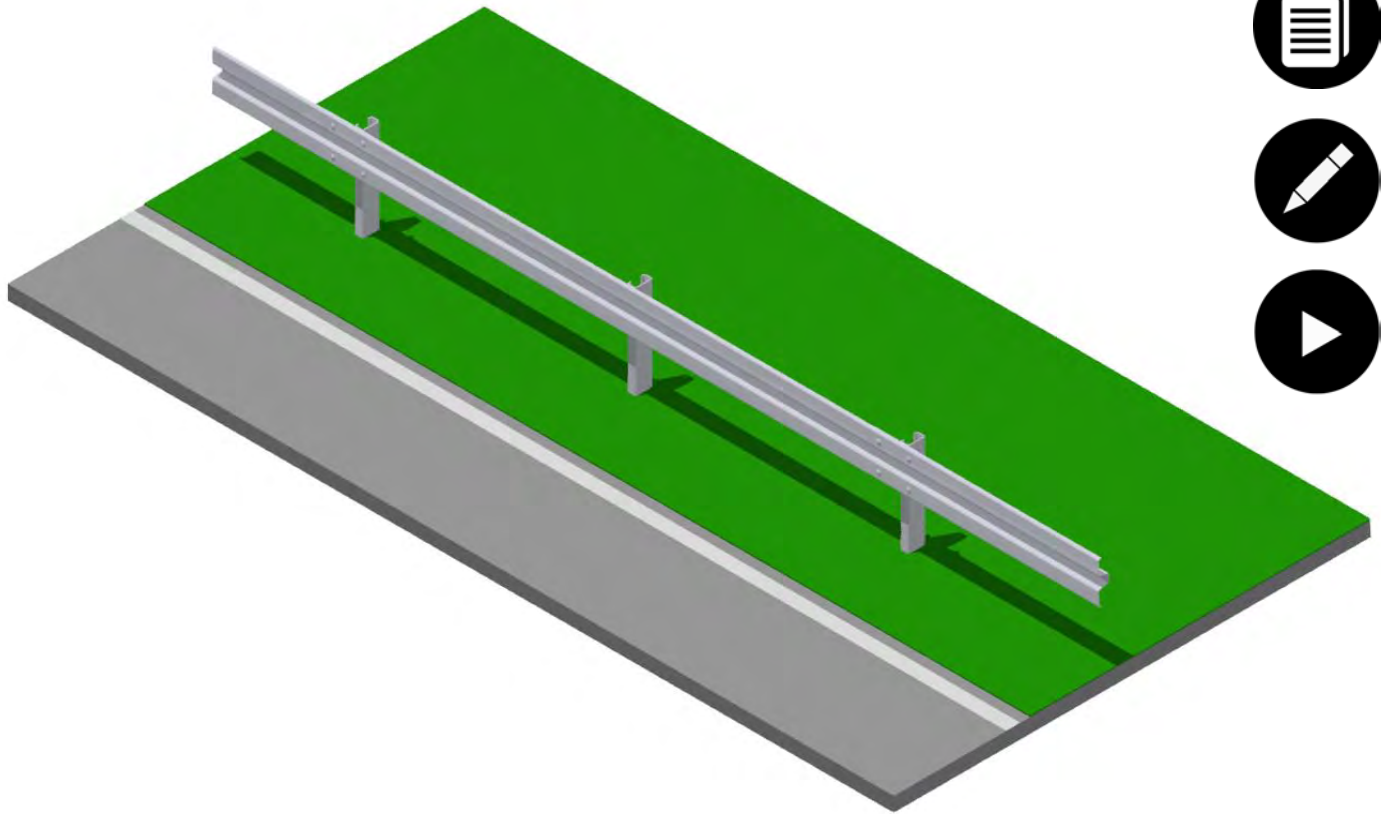
Application	Rammed
Type	Single
Construction width (m)	0,185
Construction height (m)	0,75
Beam shape	A/B/AF
Post shape	Sigma
Post distance (m)	2,00
Post length (m)	1,90
Loading capacity (m)	-



HLK 2.0 Plus

Steel road guardrail

N2 W3 A



Performances

Containment level	N2
Normalized working width (m)	1,00
Class of normalized working width	W3
Acceleration Severity Index (ASI)	A
Normalized dynamic deflection (m)	0,90
Vehicle Intrusion (VI)	-
THIV (Km/h)	32,7
Tested length (m)	40,00
CE certificate number	2251-CPR-0181

Geometrical characteristics

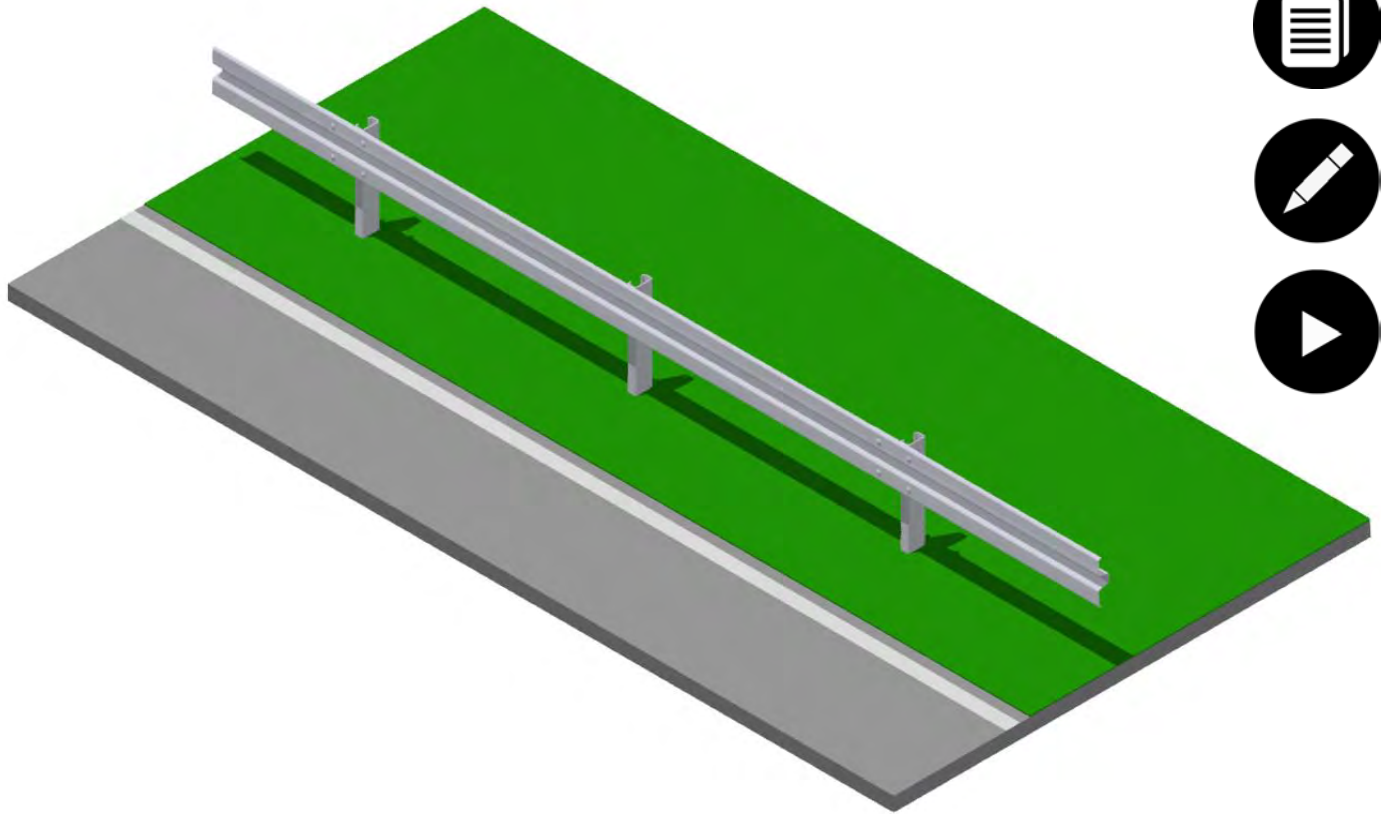
Application	Rammed
Type	Single
Construction width (m)	0,21
Construction height (m)	0,75
Beam shape	A/B/AF
Post shape	C 125
Post distance (m)	2,00
Post length (m)	1,60
Loading capacity (m)	-



HLK 2.0 Plus

Steel road guardrail

H1 W4 A



Performances

Containment level	H1
Normalized working width (m)	1,20
Class of normalized working width	W4
Acceleration Severity Index (ASI)	A
Normalized dynamic deflection (m)	1,10
Vehicle Intrusion (VI)	2,1
THIV (Km/h)	32,7
Tested length (m)	52,00
CE certificate number	2251-CPR-0181

Geometrical characteristics

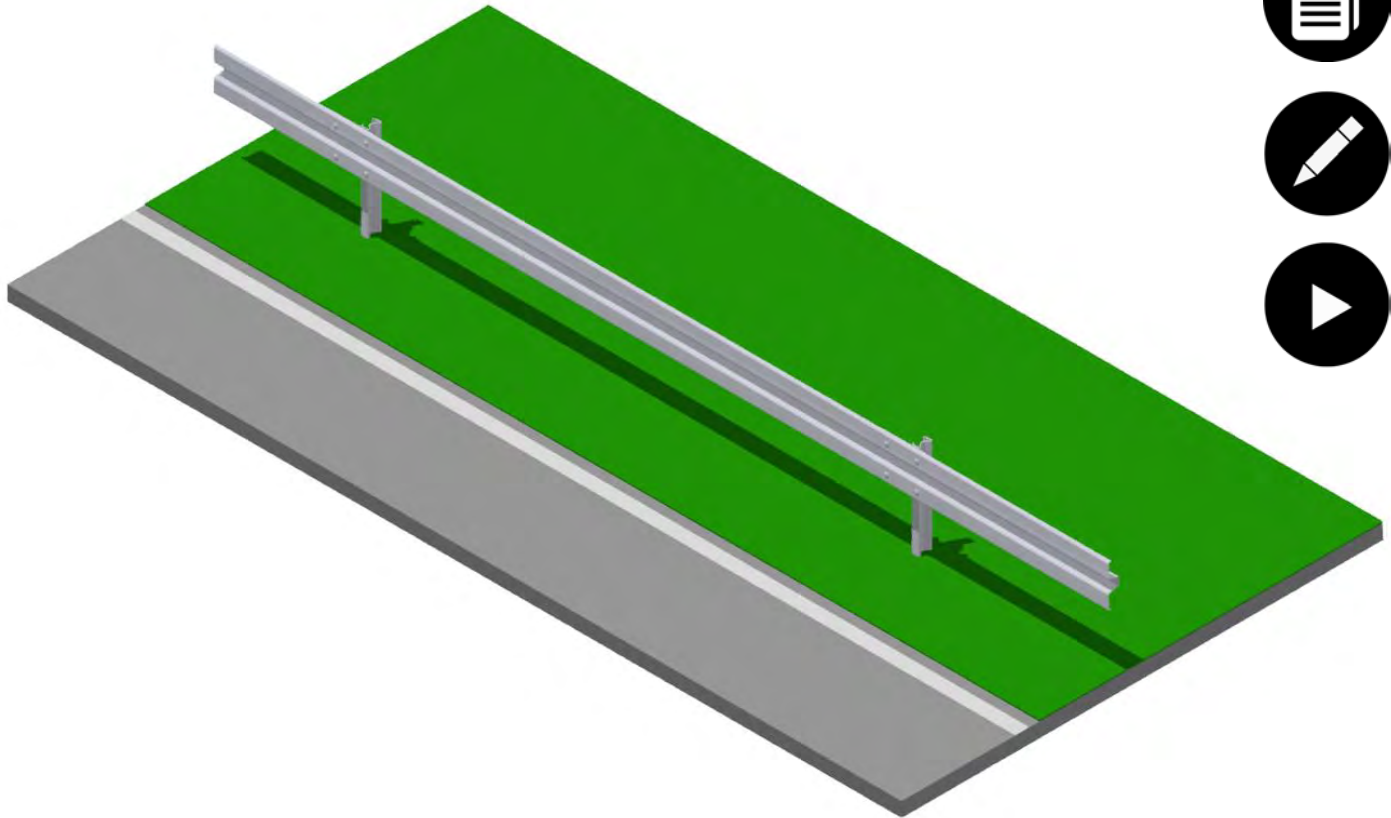
Application	Rammed
Type	Single
Construction width (m)	0,21
Construction height (m)	0,75
Beam shape	A/B/AF
Post shape	C 125
Post distance (m)	2,00
Post length (m)	1,60
Loading capacity (m)	-



HLK 4.0

Steel road guardrail

N2 W5 A



Performances

Containment level	N2
Normalized working width (m)	1,50
Class of normalized working width	W5
Acceleration Severity Index (ASI)	A
Normalized dynamic deflection (m)	1,40
Vehicle Intrusion (VI)	-
THIV (Km/h)	32,7
Tested length (m)	40,00
CE certificate number	2251-CPR-0181

Geometrical characteristics

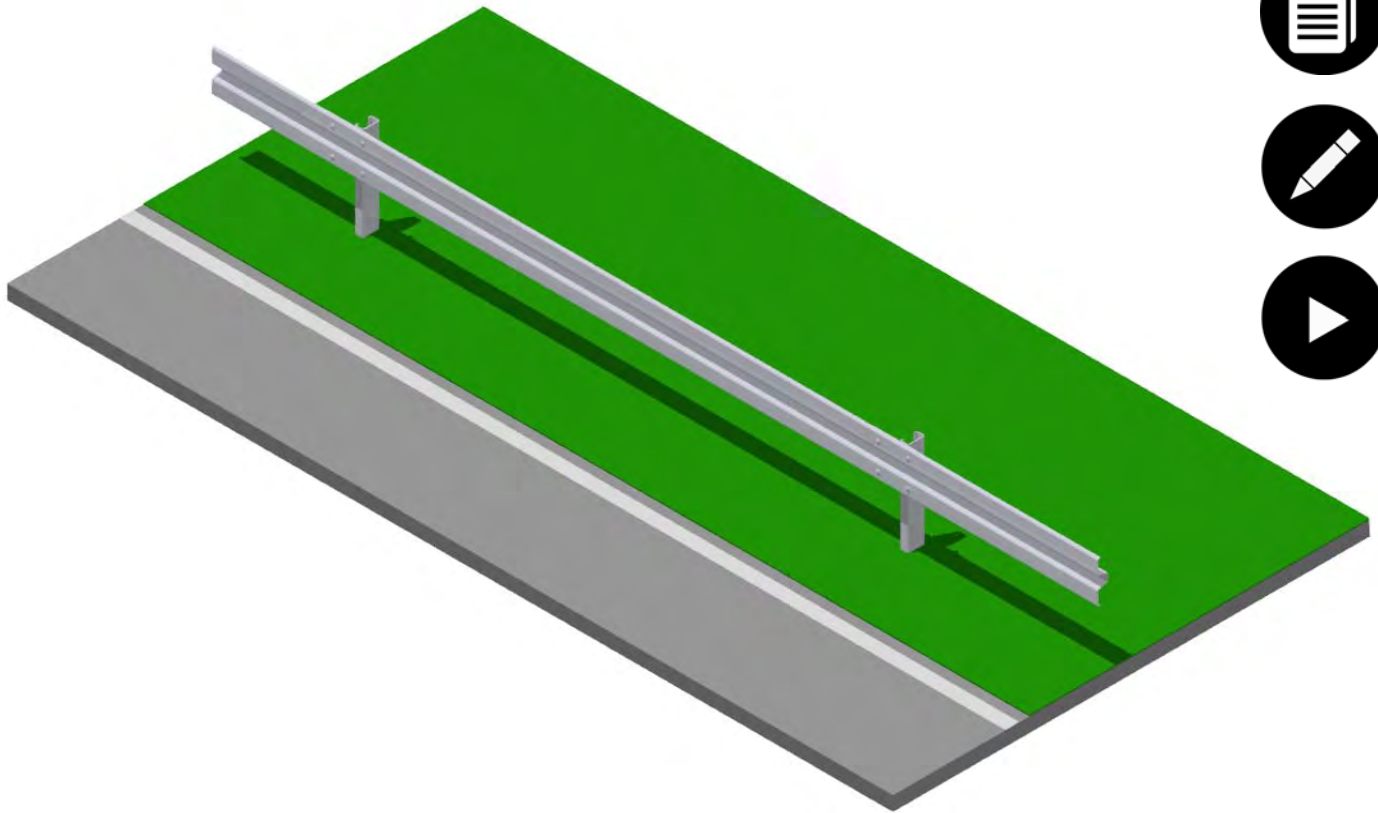
Application	Rammed
Type	Single
Construction width (m)	0,185
Construction height (m)	0,75
Beam shape	A/B/AF
Post shape	Sigma
Post distance (m)	4,00
Post length (m)	1,60
Loading capacity (m)	-



HLK 4.0 Plus

Steel road guardrail

N2 W4 A



Performances

Containment level	N2
Normalized working width (m)	1,30
Class of normalized working width	W4
Acceleration Severity Index (ASI)	A
Normalized dynamic deflection (m)	1,20
Vehicle Intrusion (VI)	-
THIV (Km/h)	32,7
Tested length (m)	40,00
CE certificate number	2251-CPR-0181

Geometrical characteristics

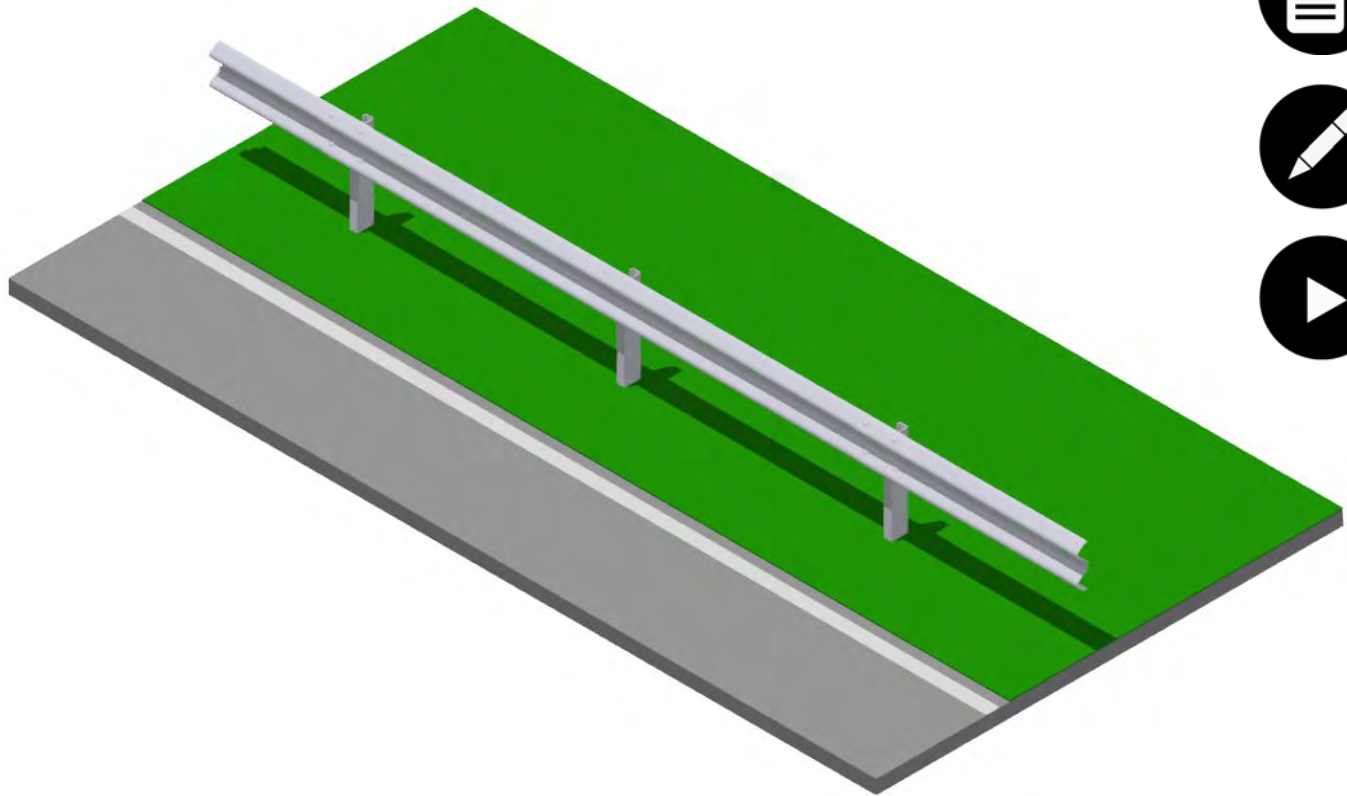
Application	Rammed
Type	Single
Construction width (m)	0,21
Construction height (m)	0,75
Beam shape	A/B/AF
Post shape	C 125
Post distance (m)	4,00
Post length (m)	1,60
Loading capacity (m)	-



MDB L 2.0

Steel road guardrail

N2 W2 A



Performances

Containment level	N2
Normalized working width (m)	0,80
Class of normalized working width	W2
Acceleration Severity Index (ASI)	A
Normalized dynamic deflection (m)	0,70
Vehicle Intrusion (VI)	-
THIV (Km/h)	32
Tested length (m)	48,00
CE certificate number	0531-CPR-1317-3024

Geometrical characteristics

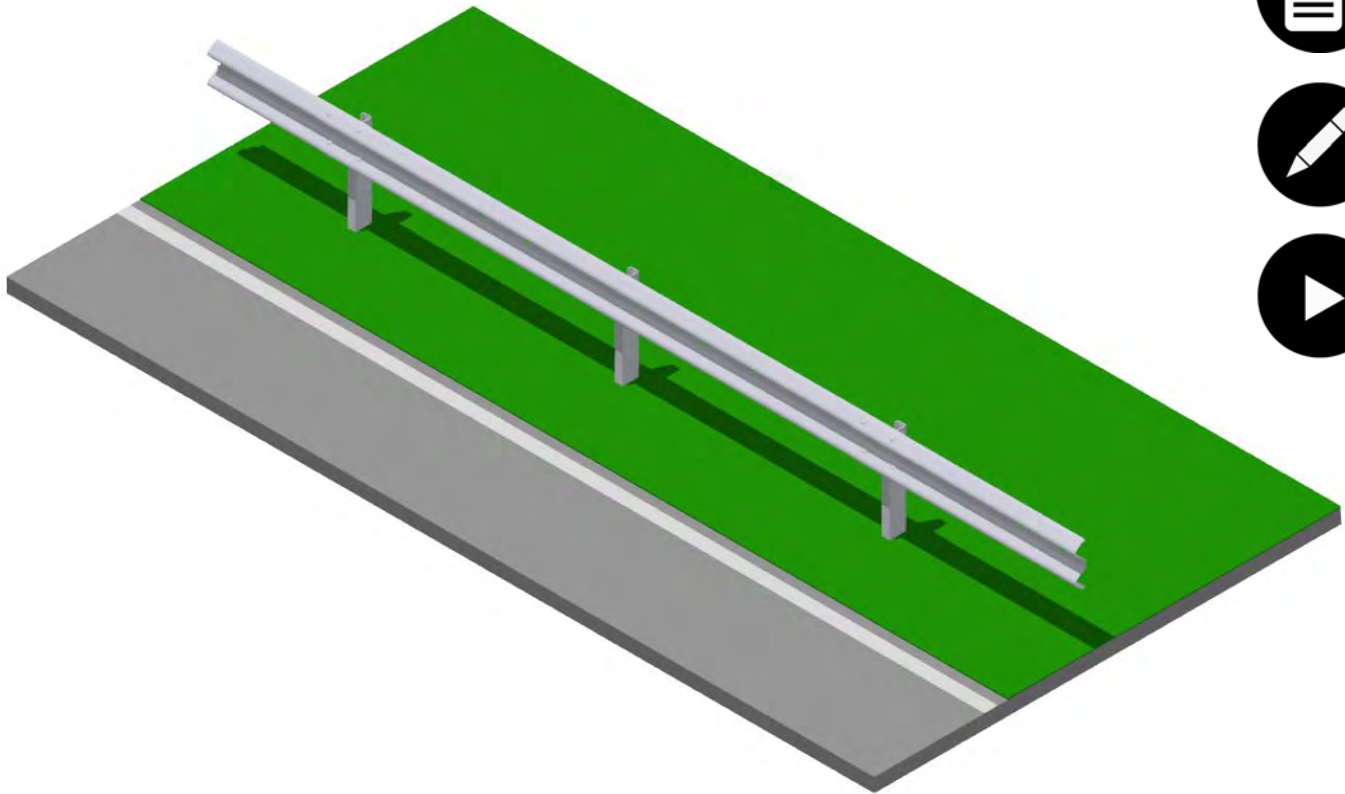
Application	Rammed
Type	Single
Construction width (m)	0,21
Construction height (m)	0,75
Beam shape	A/B
Post shape	C125
Post distance (m)	2,00
Post length (m)	1,60
Loading capacity (m)	-



MDB L 2.0

Steel road guardrail

H1 W3 A



Performances

Containment level	H1
Normalized working width (m)	1,00
Class of normalized working width	W3
Acceleration Severity Index (ASI)	A
Normalized dynamic deflection (m)	0,80
Vehicle Intrusion (VI)	1,5
THIV (Km/h)	32
Tested length (m)	48,00
CE certificate number	0531-CPR-1317-3024

Geometrical characteristics

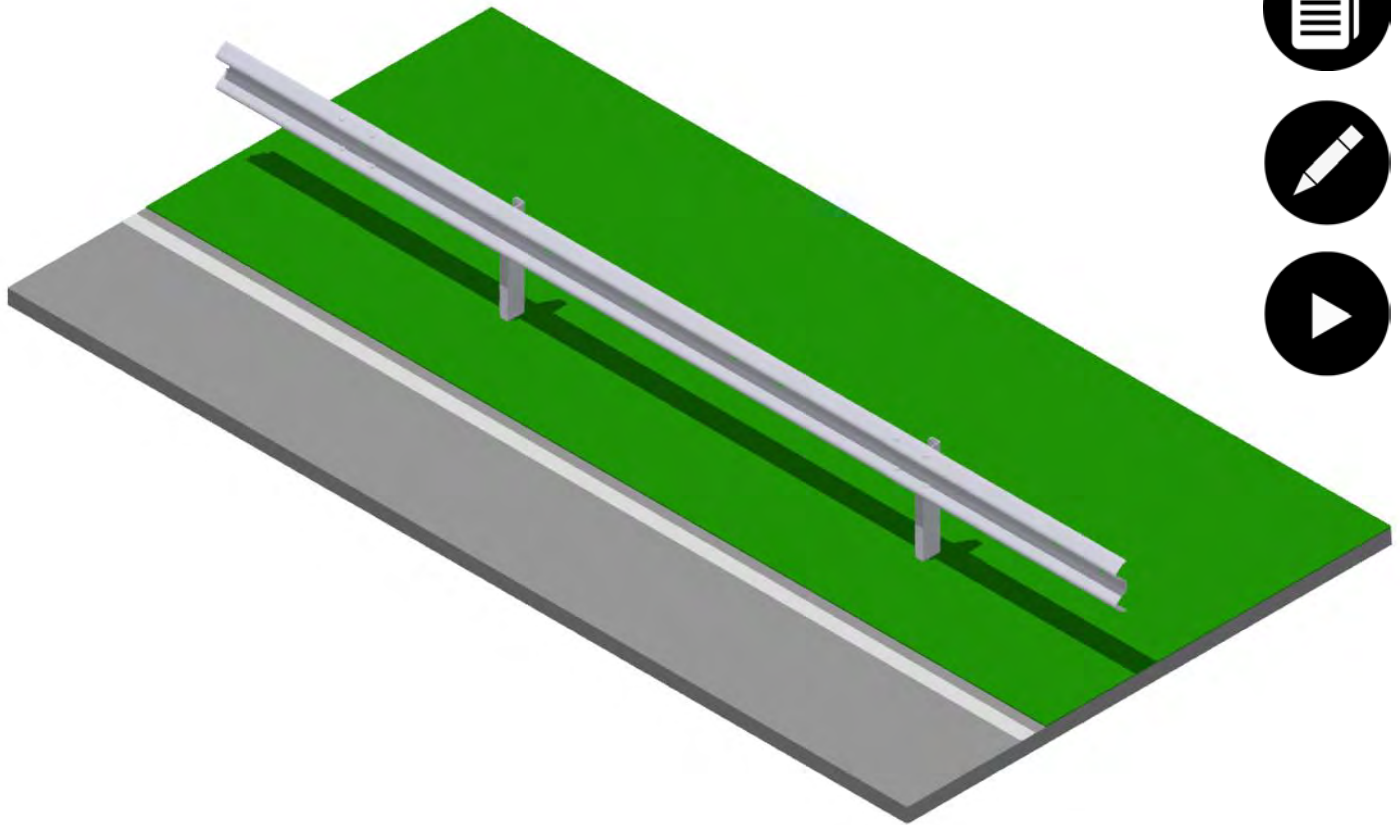
Application	Rammed
Type	Single
Construction width (m)	0,21
Construction height (m)	0,75
Beam shape	A/B
Post shape	C 125
Post distance (m)	2,00
Post length (m)	1,60
Loading capacity (m)	-



MDB L 3.0

Steel road guardrail

N2 W3 A



Performances

Containment level	N2
Normalized working width (m)	1,00
Class of normalized working width	W3
Acceleration Severity Index (ASI)	A
Normalized dynamic deflection (m)	0,90
Vehicle Intrusion (VI)	-
THIV (Km/h)	32
Tested length (m)	48,00
CE certificate number	0531-CPR-1317-3025

Geometrical characteristics

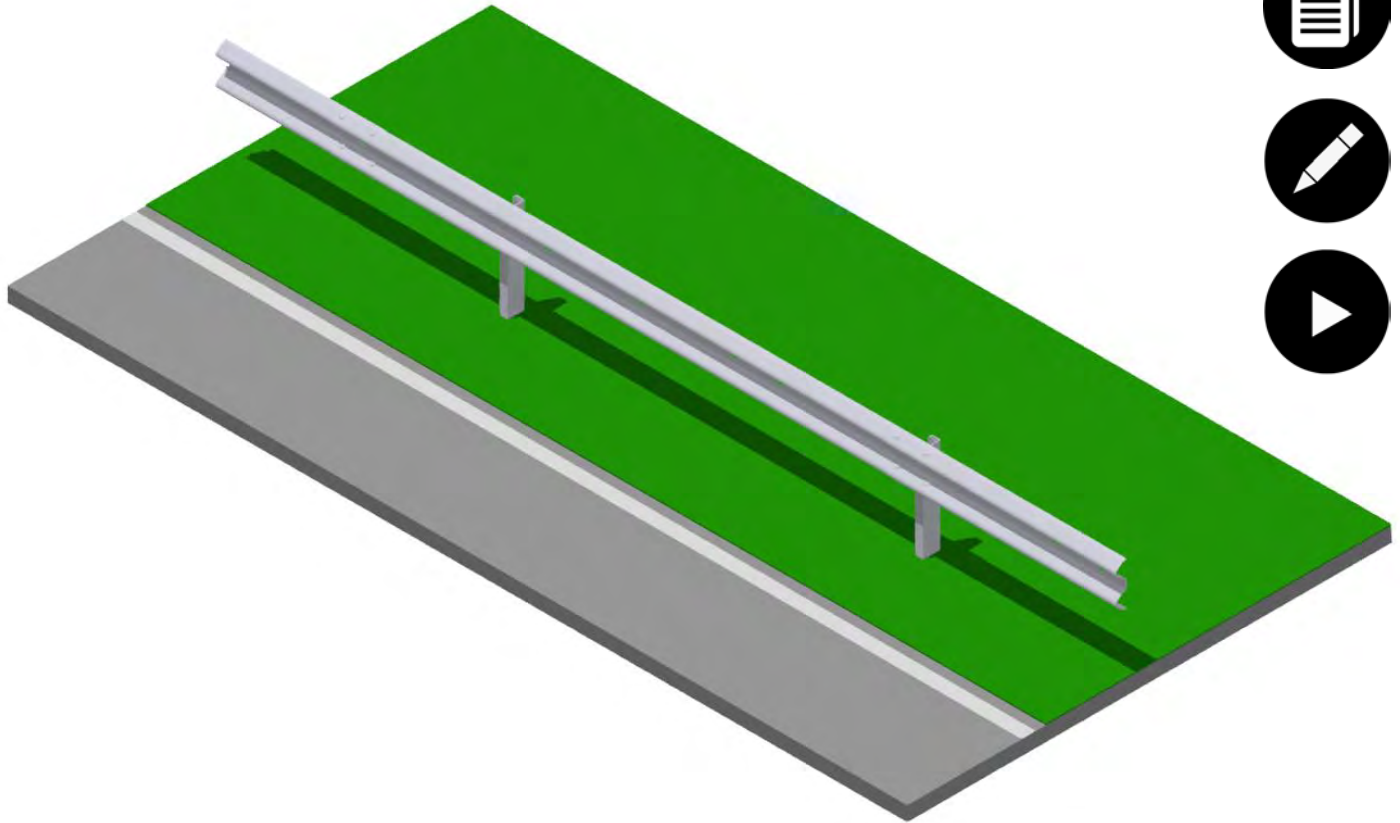
Application	Rammed
Type	Single
Construction width (m)	0,21
Construction height (m)	0,75
Beam shape	A/B
Post shape	C125
Post distance (m)	3,00
Post length (m)	1,60
Loading capacity (m)	-



MDB L 3.0

Steel road guardrail

H1 W4 A



Performances

Containment level	H1
Normalized working width (m)	1,20
Class of normalized working width	W4
Acceleration Severity Index (ASI)	A
Normalized dynamic deflection (m)	1,00
Vehicle Intrusion (VI)	1,7
THIV (Km/h)	32
Tested length (m)	48,00
CE certificate number	0531-CPR-1317-3025

Geometrical characteristics

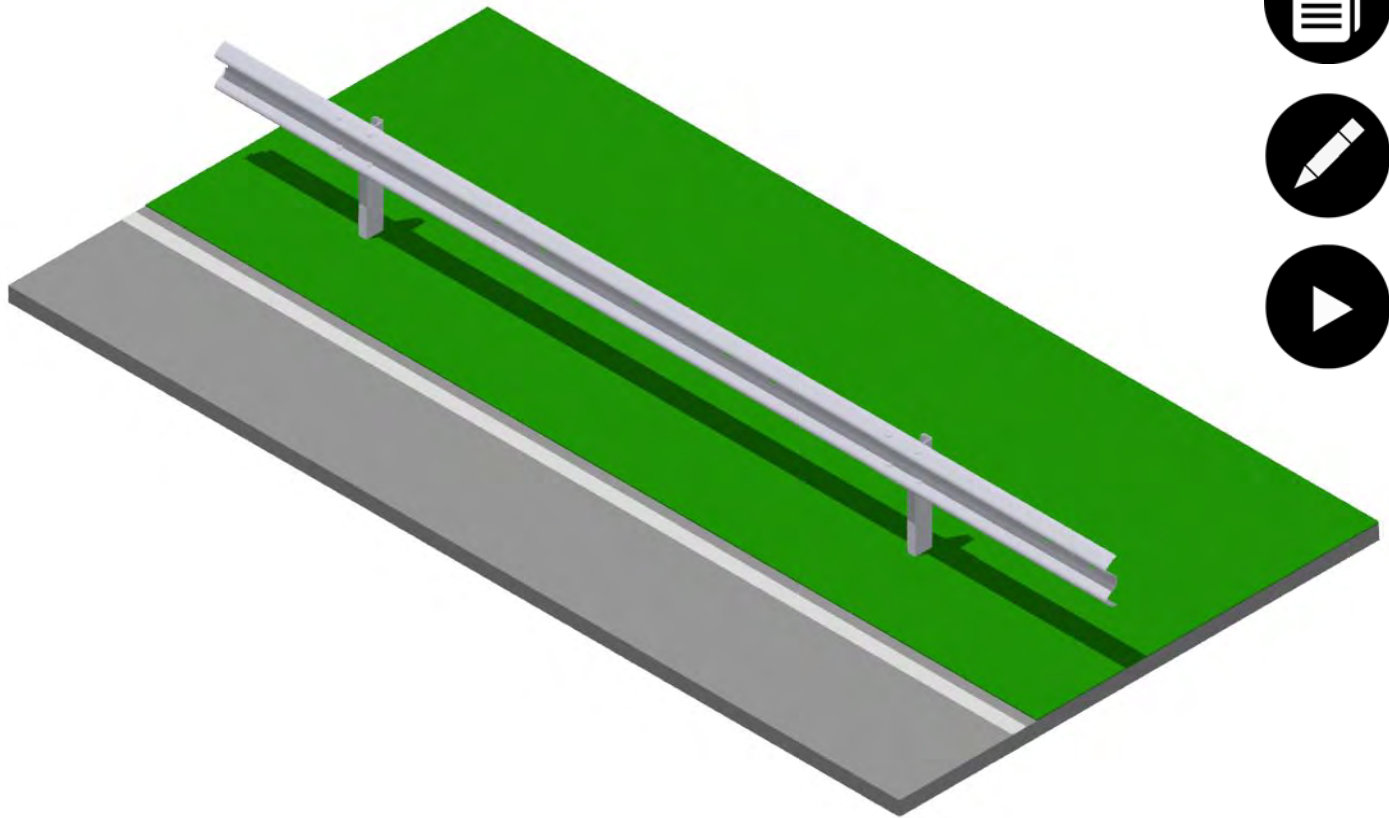
Application	Rammed
Type	Single
Construction width (m)	0,21
Construction height (m)	0,75
Beam shape	A/B
Post shape	C 125
Post distance (m)	3,00
Post length (m)	1,60
Loading capacity (m)	-



MDB L 4.0

Steel road guardrail

N2 W4 A



Performances

Containment level	N2
Normalized working width (m)	1,20
Class of normalized working width	W4
Acceleration Severity Index (ASI)	A
Normalized dynamic deflection (m)	1,10
Vehicle Intrusion (VI)	-
THIV (Km/h)	33
Tested length (m)	48,00
CE certificate number	0531-CPR-1317-3026

Geometrical characteristics

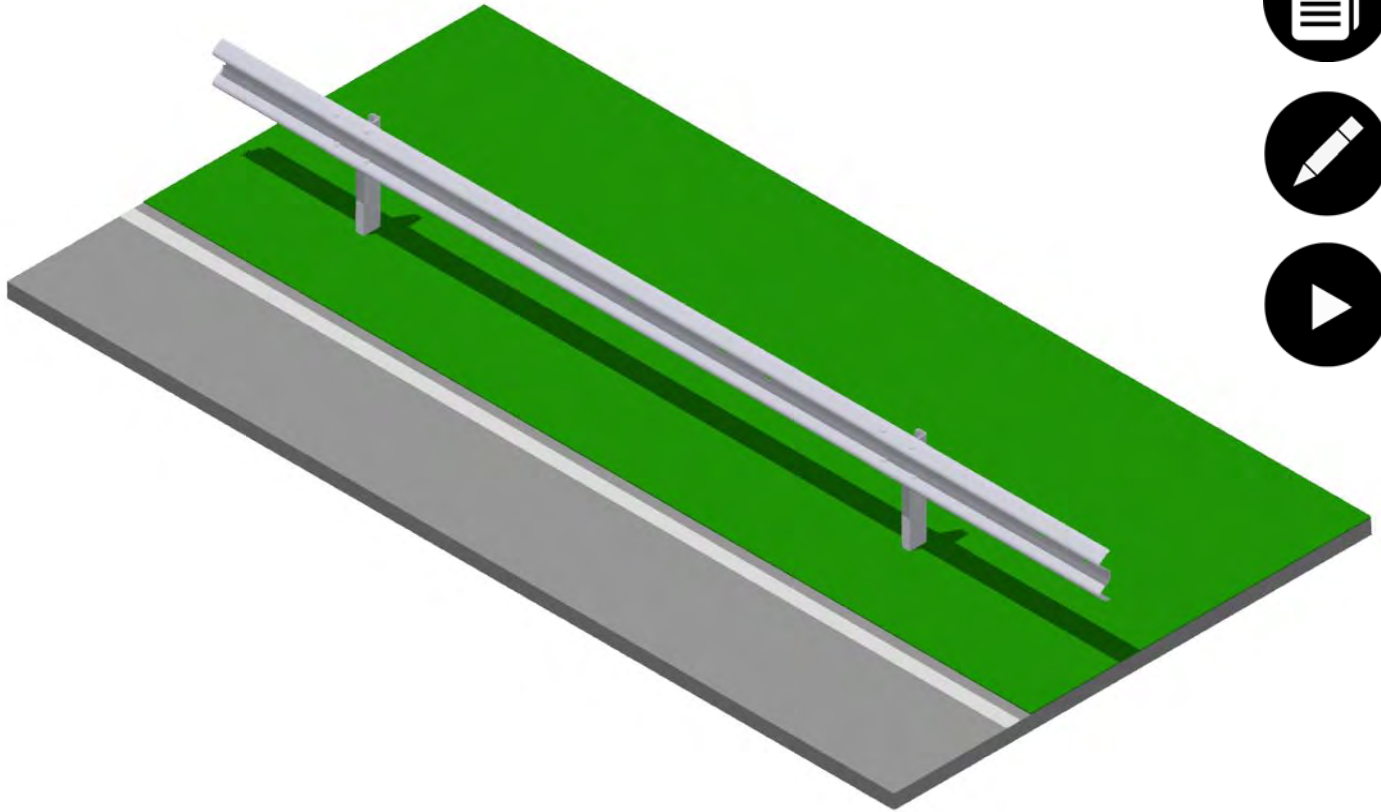
Application	Rammed
Type	Single
Construction width (m)	0,21
Construction height (m)	0,75
Beam shape	A/B
Post shape	C 125
Post distance (m)	4,00
Post length (m)	1,60
Loading capacity (m)	-



MDB L 4.0

Steel road guardrail

H1 W4 A



Performances

Containment level	H1
Normalized working width (m)	1,30
Class of normalized working width	W4
Acceleration Severity Index (ASI)	A
Normalized dynamic deflection (m)	1,10
Vehicle Intrusion (VI)	1,7
THIV (Km/h)	32
Tested length (m)	48,00
CE certificate number	0531-CPR-1317-3026

Geometrical characteristics

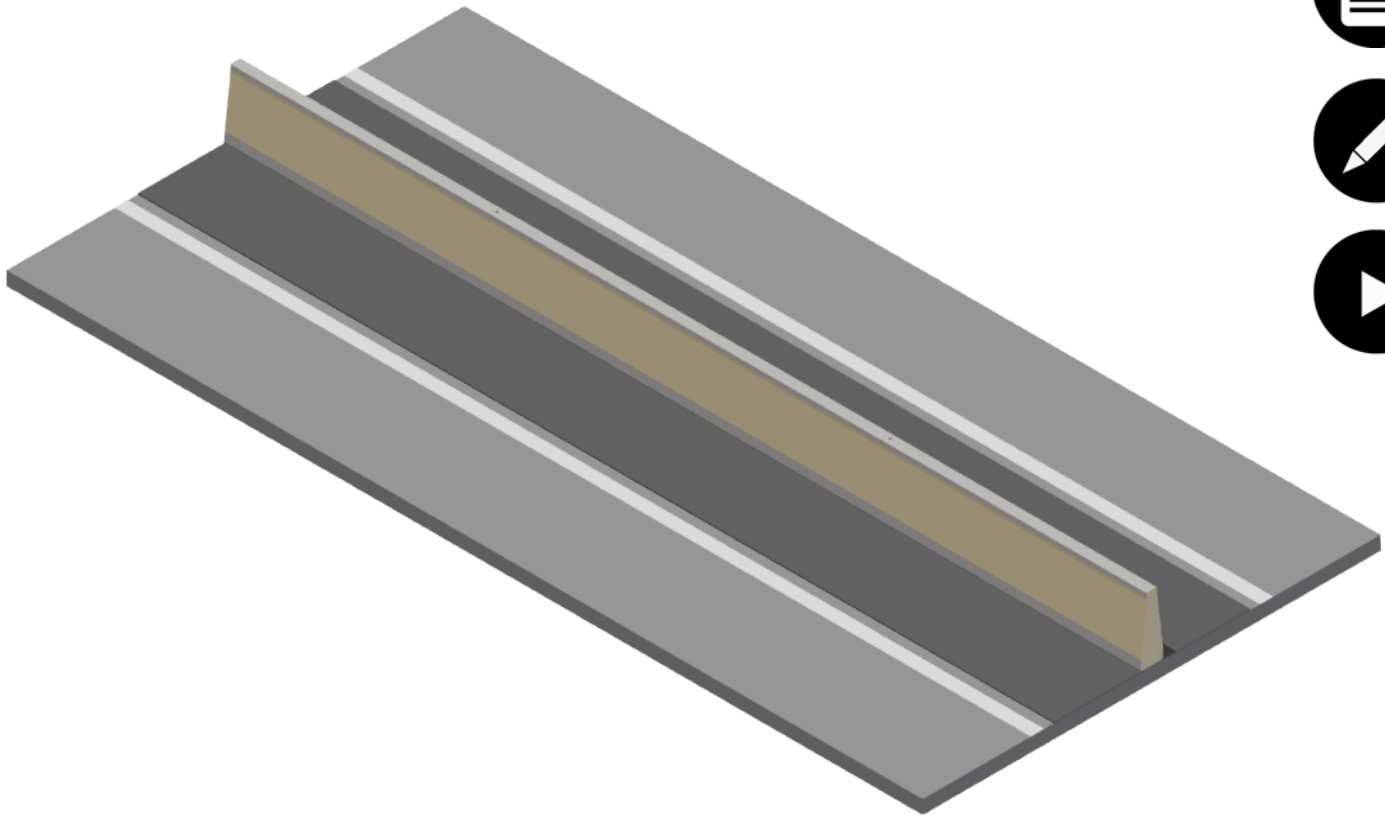
Application	Rammed
Type	Single
Construction width (m)	0,21
Construction height (m)	0,75
Beam shape	A/B
Post shape	C 125
Post distance (m)	4,00
Post length (m)	1,60
Loading capacity (m)	-



CONFICO 50

Temporary road barrier

H1 W4 A



Performances

Containment level	H1
Normalized working width (m)	1,30
Class of normalized working width	W4
Acceleration Severity Index (ASI)	A
Normalized dynamic deflection (m)	1,10
Vehicle Intrusion (VI)	VI7
THIV (Km/h)	20
Tested length (m)	96,00
CE certificate number	-

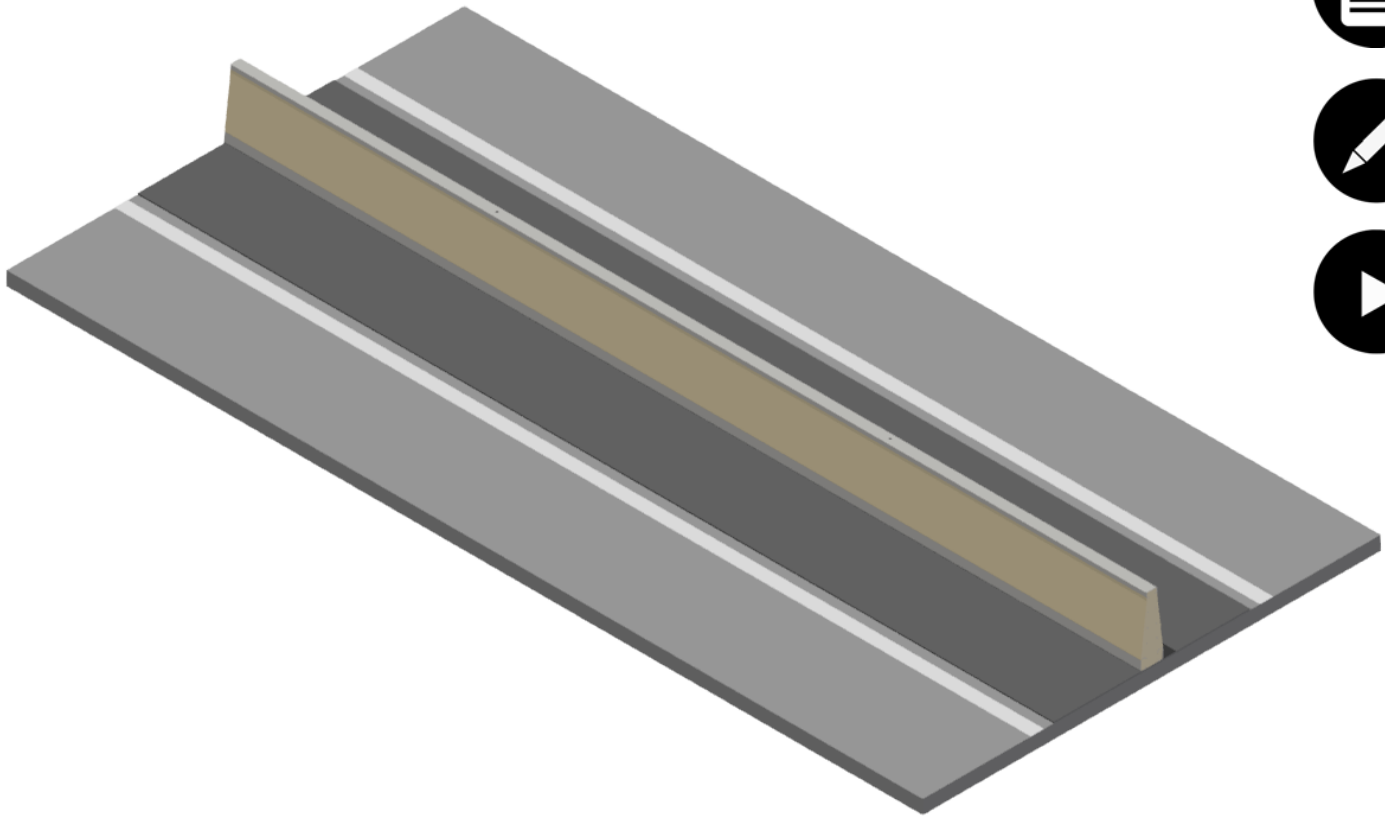
Geometrical characteristics

Application	Temporary system
Type	Double
Construction width (m)	0,17
Construction height (m)	0,50
Beam shape	-
Post shape	-
Post distance (m)	-
Post length (m)	-
Loading capacity (m)	144,00



CONFICO 50

Temporary road barrier
T3 W1 A



Performances

Containment level	T3
Normalized working width (m)	0,40
Class of normalized working width	W1
Acceleration Severity Index (ASI)	A
Normalized dynamic deflection (m)	0,20
Vehicle Intrusion (VI)	-
THIV (Km/h)	8
Tested length (m)	96,00
CE certificate number	-

Geometrical characteristics

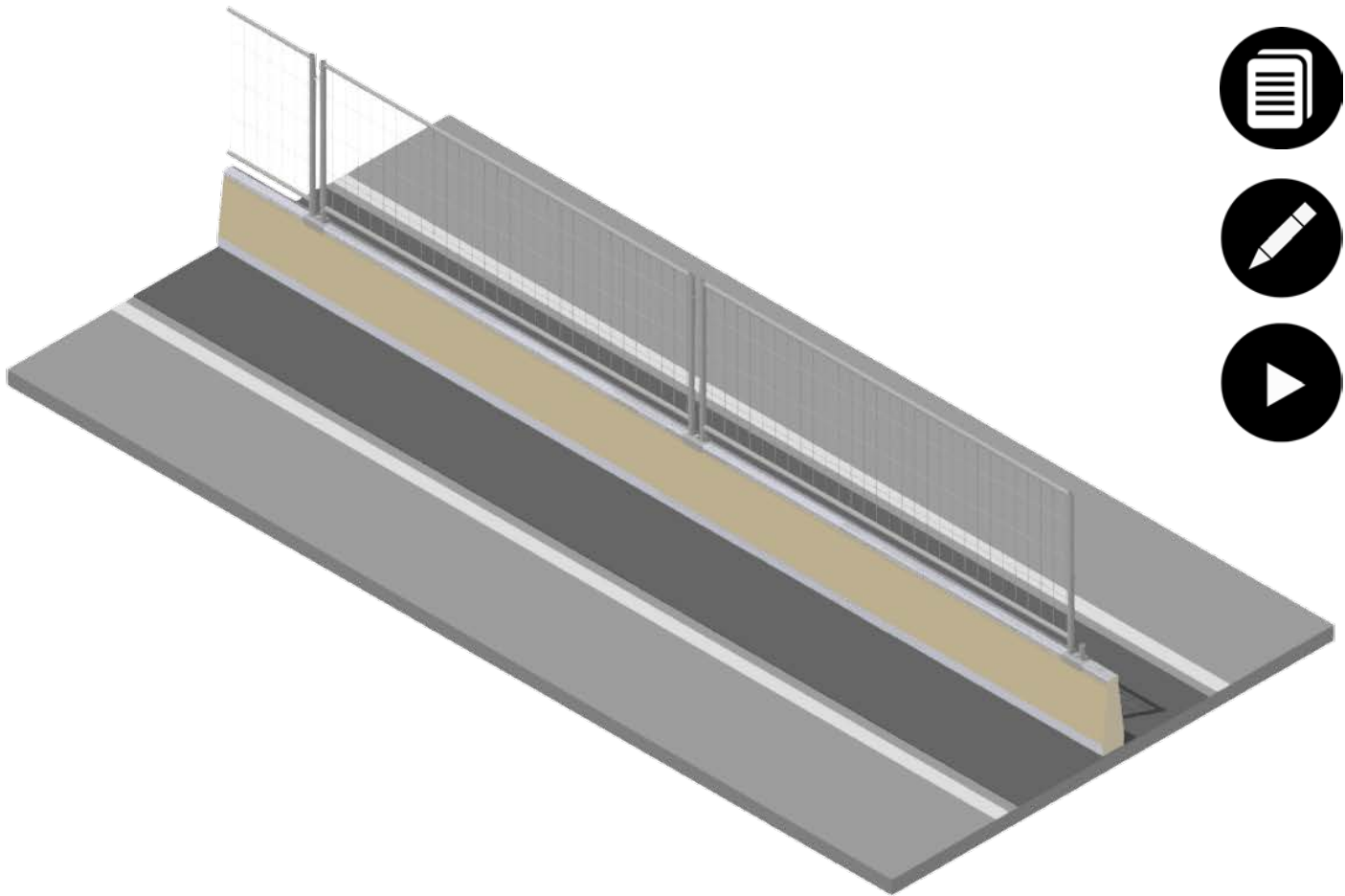
Application	Temporary system
Type	Double
Construction width (m)	0,20
Construction height (m)	0,50
Beam shape	-
Post shape	-
Post distance (m)	-
Post length (m)	-
Loading capacity (m)	144,00



CONFICO 50+

Temporary road barrier

T3 W2 A



Performances

Containment level	T3
Normalized working width (m)	0,70
Class of normalized working width	W2
Acceleration Severity Index (ASI)	A
Normalized dynamic deflection (m)	0,50
Vehicle Intrusion (VI)	VI1
THIV (Km/h)	8
Tested length (m)	96,00
CE certificate number	-

Geometrical characteristics

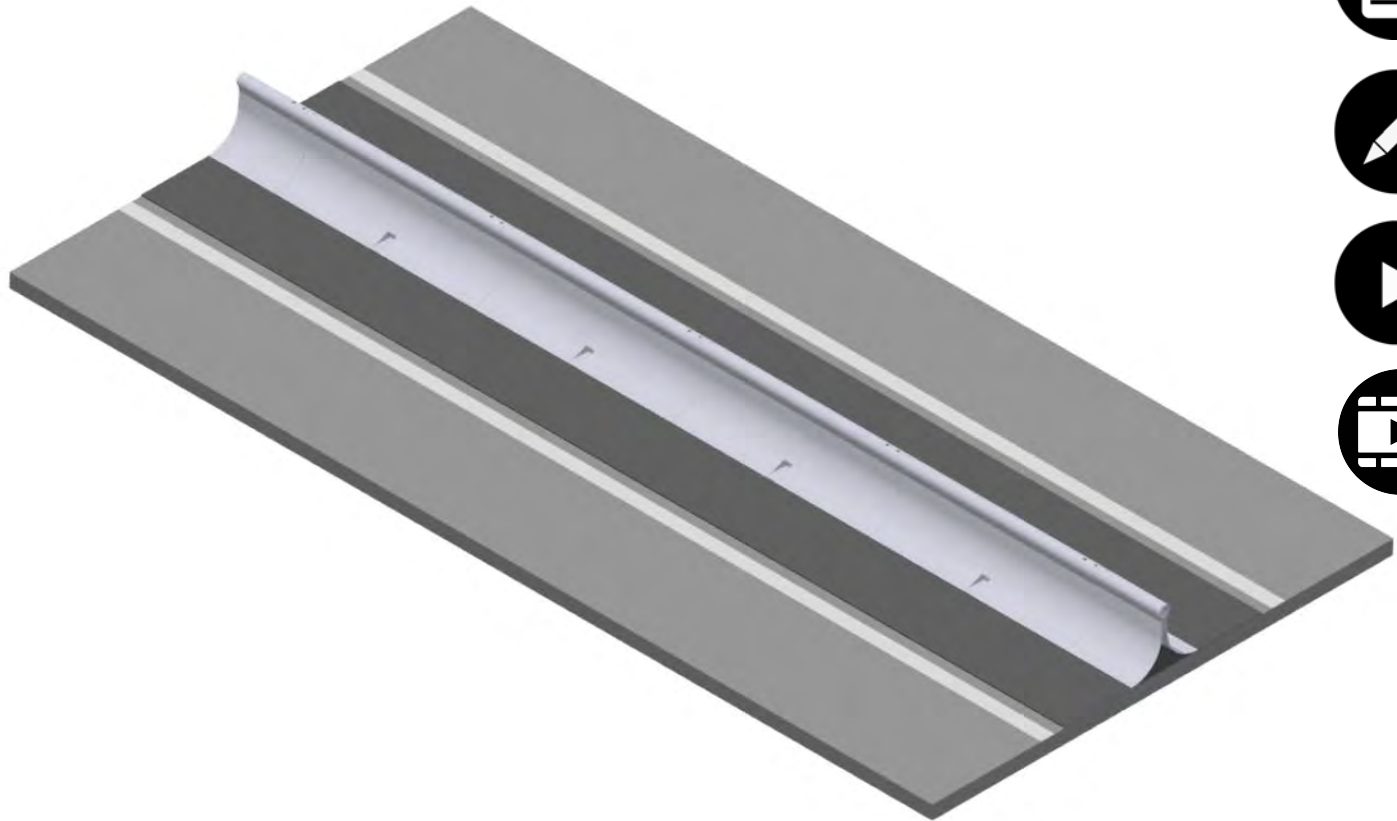
Application	Temporary system
Type	Double
Construction width (m)	0,20
Construction height (m)	1,15 - 1,65
Beam shape	-
Post shape	-
Post distance (m)	-
Post length (m)	-
Loading capacity (m)	144,00



MINI-GUARD

Temporary road barrier

T1 W3 A



Performances

Containment level	T1
Normalized working width (m)	-
Class of normalized working width	W3
Acceleration Severity Index (ASI)	A
Normalized dynamic deflection (m)	-
Vehicle Intrusion (VI)	-
THIV (Km/h)	-
Tested length (m)	94,50
CE certificate number	-

Geometrical characteristics

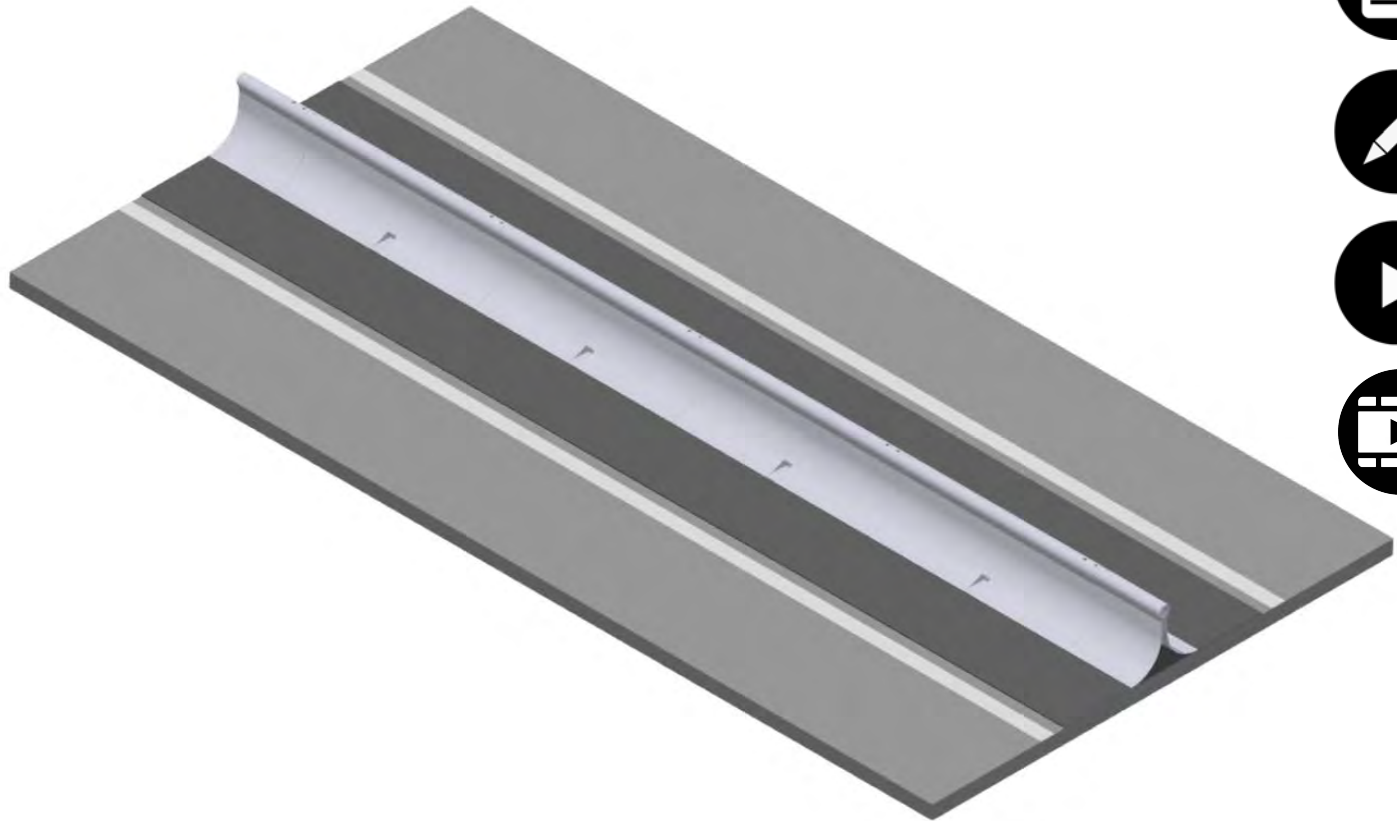
Application	Temporary system
Type	Double
Construction width (m)	0,505
Construction height (m)	0,50
Beam shape	-
Post shape	-
Post distance (m)	-
Post length (m)	-
Loading capacity (m)	280,00



MINI-GUARD

Temporary road barrier

T2 W5 A



Performances

Containment level	T2
Normalized working width (m)	-
Class of normalized working width	W5
Acceleration Severity Index (ASI)	A
Normalized dynamic deflection (m)	1,30
Vehicle Intrusion (VI)	-
THIV (Km/h)	-
Tested length (m)	93,00
CE certificate number	-

Geometrical characteristics

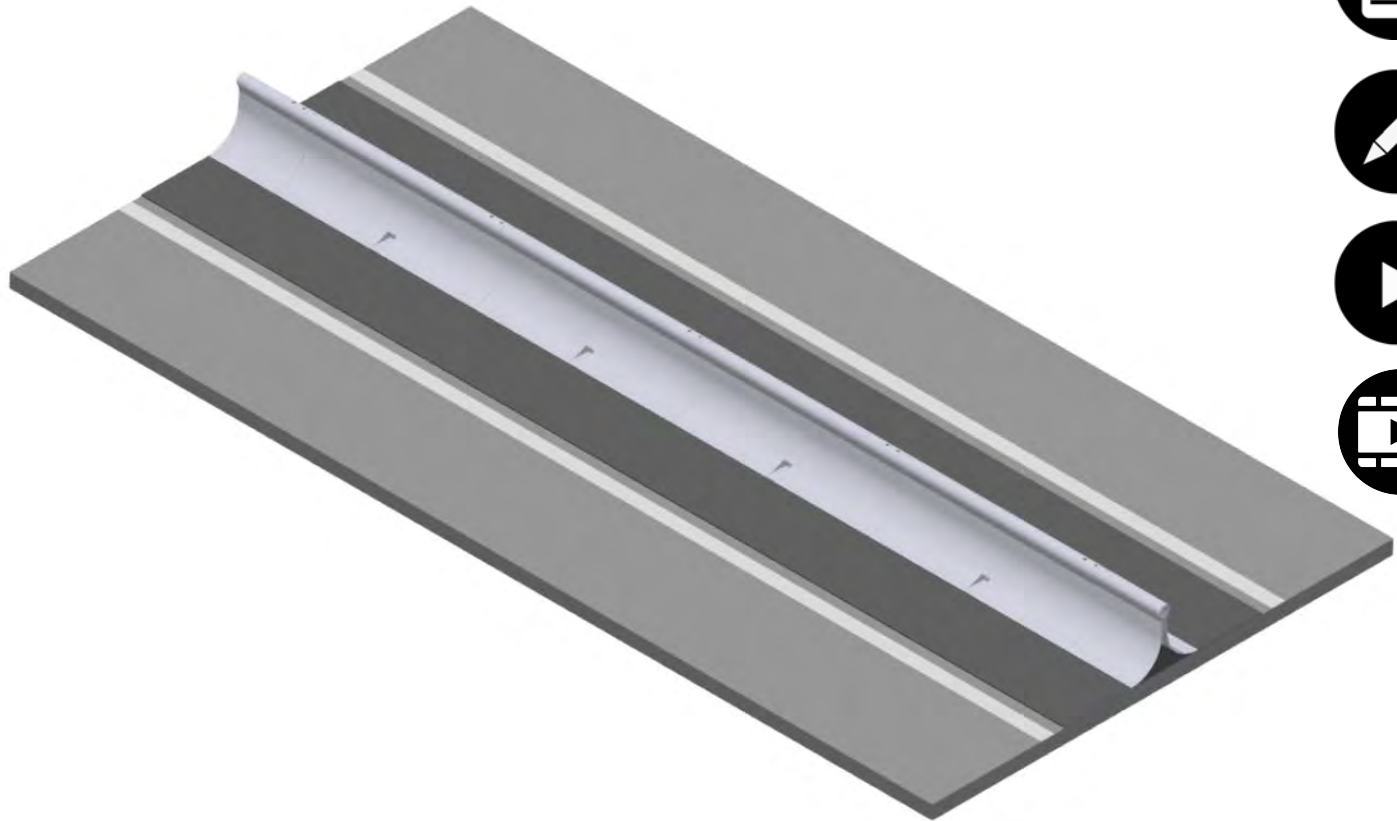
Application	Temporary system
Type	Double
Construction width (m)	0,505
Construction height (m)	0,50
Beam shape	-
Post shape	-
Post distance (m)	-
Post length (m)	-
Loading capacity (m)	280,00



MINI-GUARD

Temporary road barrier

T3 W6 A



Performances

Containment level	T3
Normalized working width (m)	1,80
Class of normalized working width	W6
Acceleration Severity Index (ASI)	A
Normalized dynamic deflection (m)	1,30
Vehicle Intrusion (VI)	-
THIV (Km/h)	6
Tested length (m)	60,00
CE certificate number	-

Geometrical characteristics

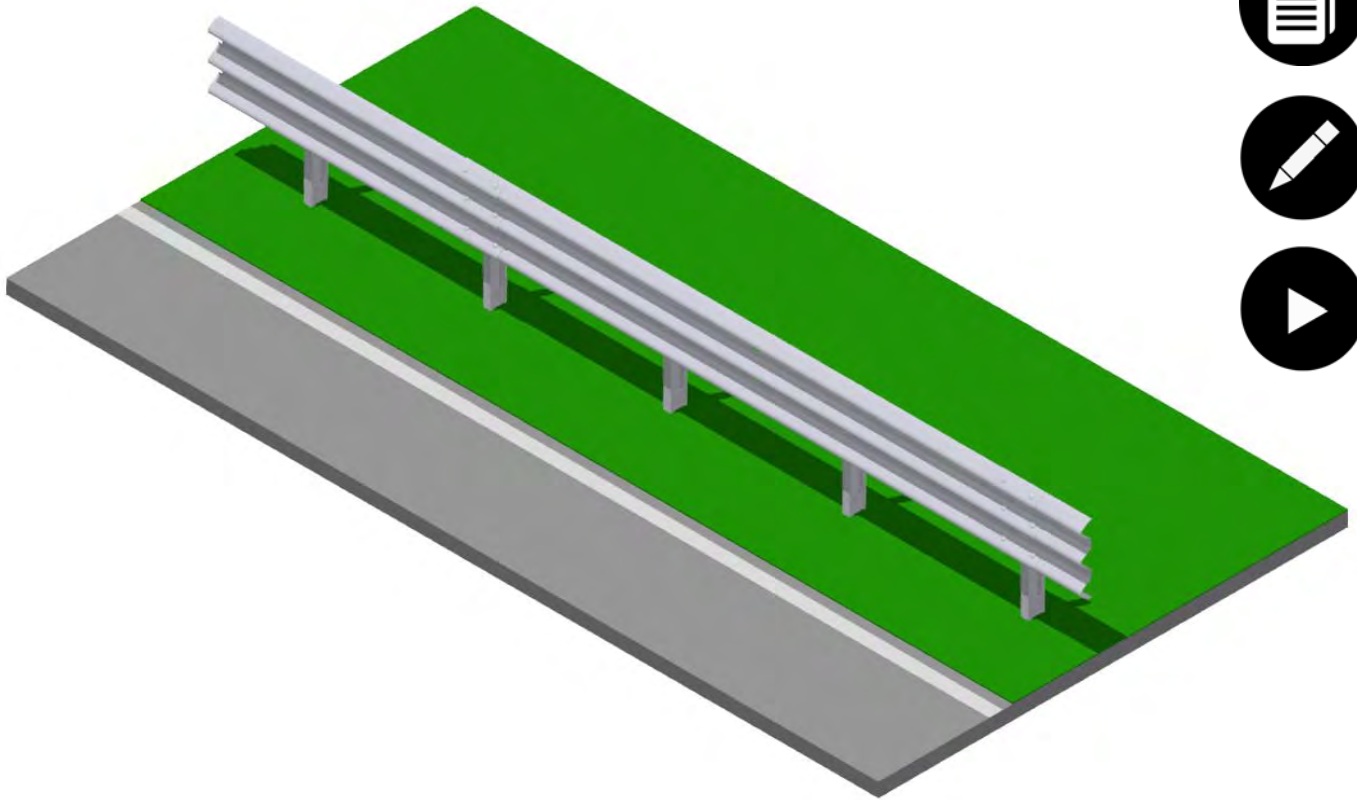
Application	Temporary system
Type	Double
Construction width (m)	0,505
Construction height (m)	0,50
Beam shape	-
Post shape	-
Post distance (m)	-
Post length (m)	-
Loading capacity (m)	280,00



MTB 1.33

Steel road guardrail

H2 W4 B



Performances

Containment level	H2
Normalized working width (m)	1,20
Class of normalized working width	W4
Acceleration Severity Index (ASI)	B
Normalized dynamic deflection (m)	1,10
Vehicle Intrusion (VI)	1,2
THIV (Km/h)	33
Tested length (m)	40,00
CE certificate number	0531-CPR-1317-2628

Geometrical characteristics

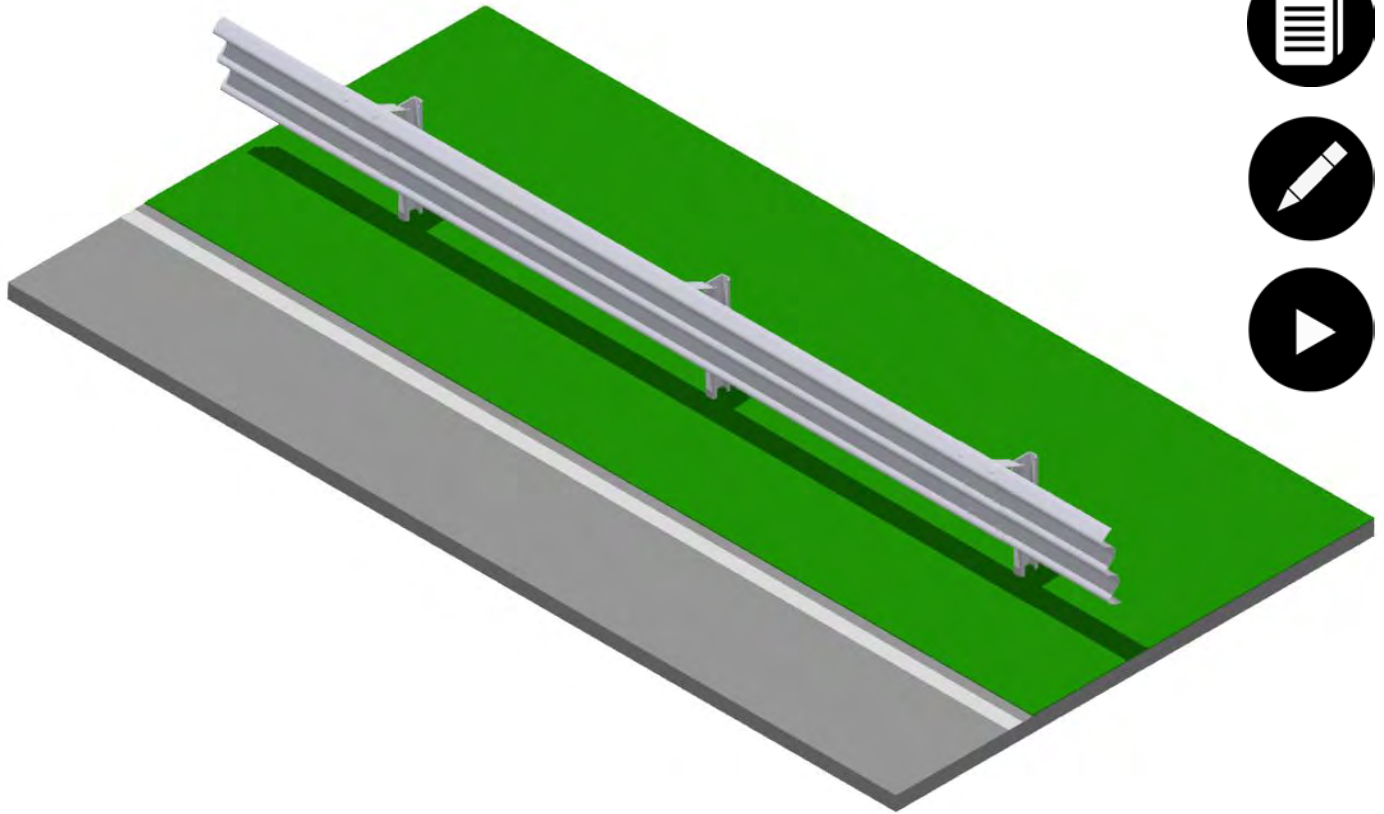
Application	Rammed
Type	Single
Construction width (m)	0,215
Construction height (m)	0,90
Beam shape	3N
Post shape	C 125
Post distance (m)	1,33
Post length (m)	1,60
Loading capacity (m)	-



MTB 2.25

Steel road guardrail

H2 W5 A



Performances

Containment level	H2
Normalized working width (m)	1,60
Class of normalized working width	W5
Acceleration Severity Index (ASI)	A
Normalized dynamic deflection (m)	1,40
Vehicle Intrusion (VI)	1,7
THIV (Km/h)	23
Tested length (m)	65,00
CE certificate number	0531-CPR-1317-2629

Geometrical characteristics

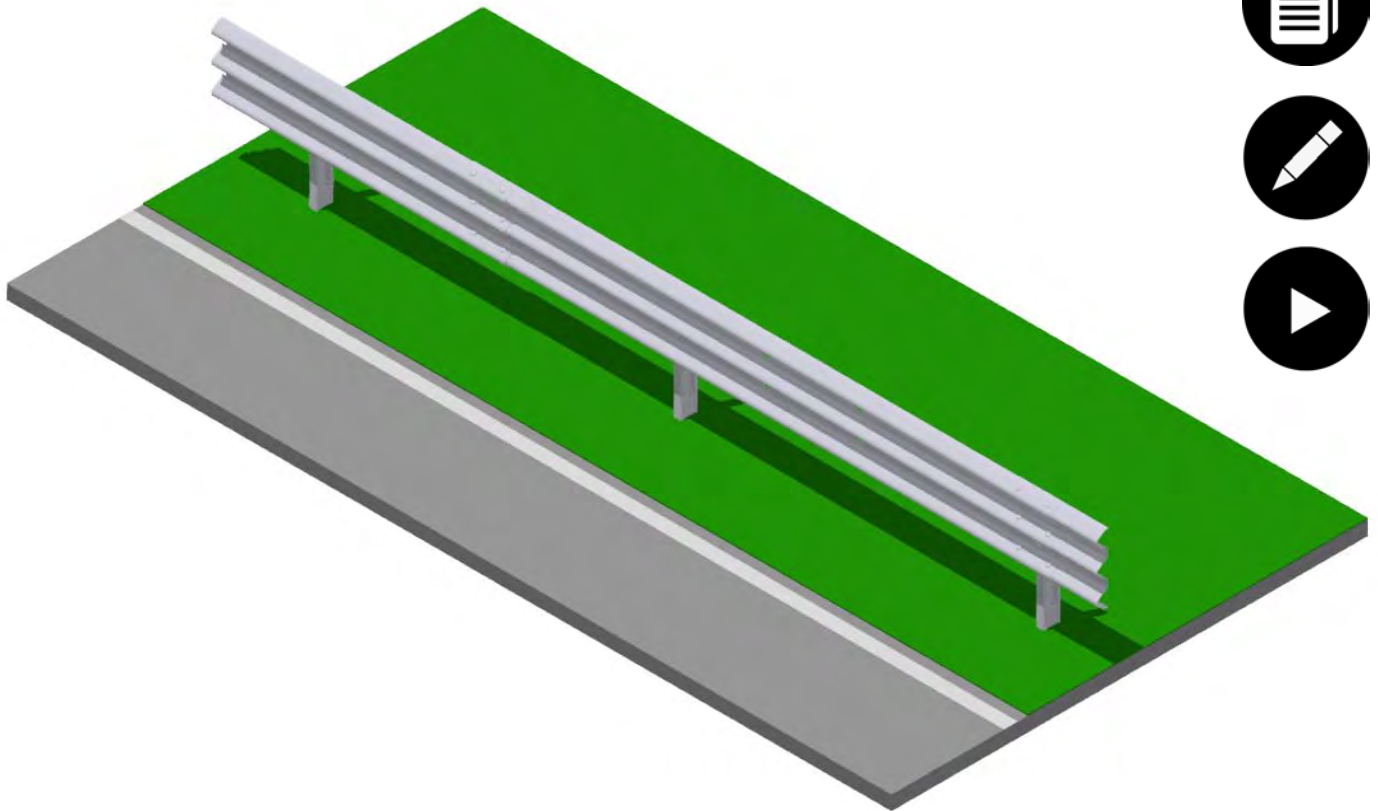
Application	Rammed
Type	Single
Construction width (m)	0,45
Construction height (m)	0,90
Beam shape	3N
Post shape	C 125
Post distance (m)	2,25
Post length (m)	1,60
Loading capacity (m)	-



MTB 2.66

Steel road guardrail

H2 W5 A



Performances

Containment level	H2
Normalized working width (m)	1,60
Class of normalized working width	W5
Acceleration Severity Index (ASI)	A
Normalized dynamic deflection (m)	1,50
Vehicle Intrusion (VI)	1,7
THIV (Km/h)	27
Tested length (m)	40,00
CE certificate number	0531-CPR-1317-2630

Geometrical characteristics

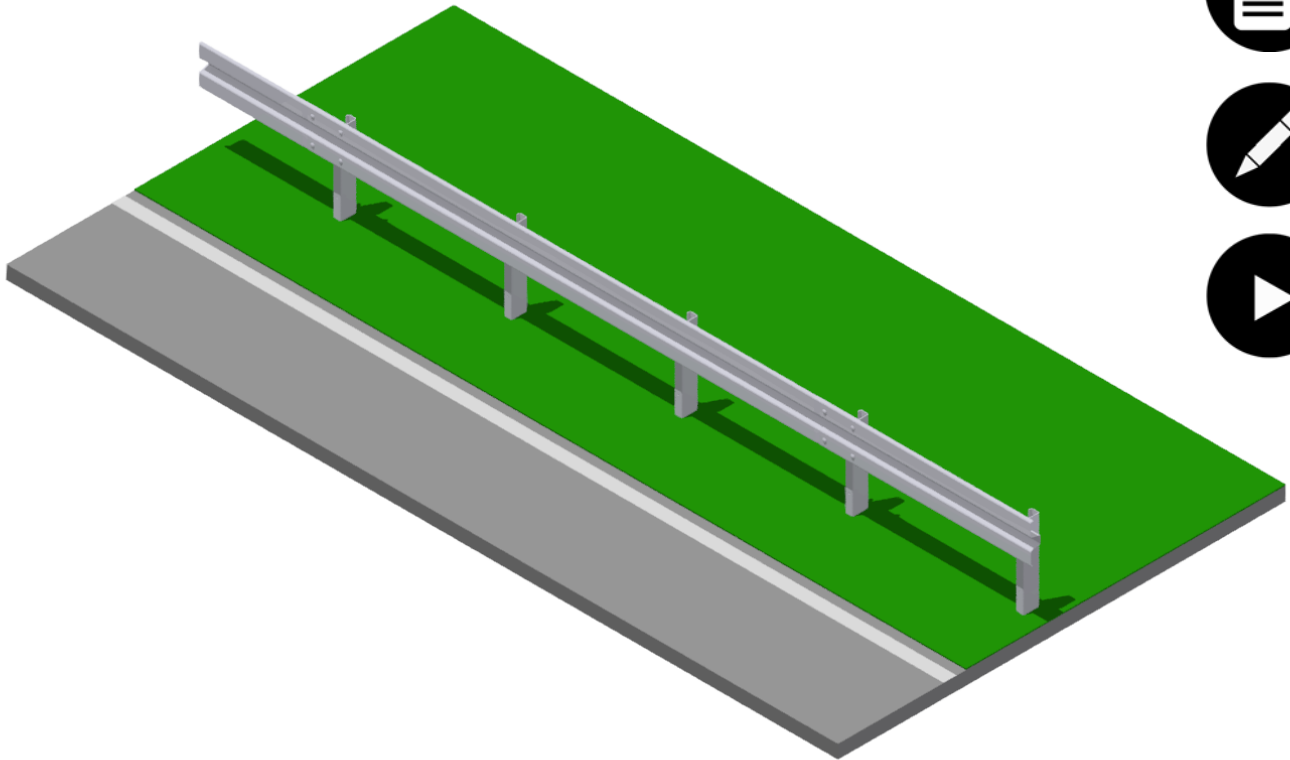
Application	Rammed
Type	Single
Construction width (m)	0,216
Construction height (m)	0,90
Beam shape	3N
Post shape	C 125
Post distance (m)	2,66
Post length (m)	1,60
Loading capacity (m)	-



Novo Rail 1.33 L1

Steel road guardrail

H1 W2 A



Performances

Containment level	H1
Normalized working width (m)	0,80
Class of normalized working width	W2
Acceleration Severity Index (ASI)	A
Normalized dynamic deflection (m)	0,70
Vehicle Intrusion (VI)	VI5
THIV (Km/h)	-
Tested length (m)	40,00
CE certificate number	0531-CPR-1317-2976

Geometrical characteristics

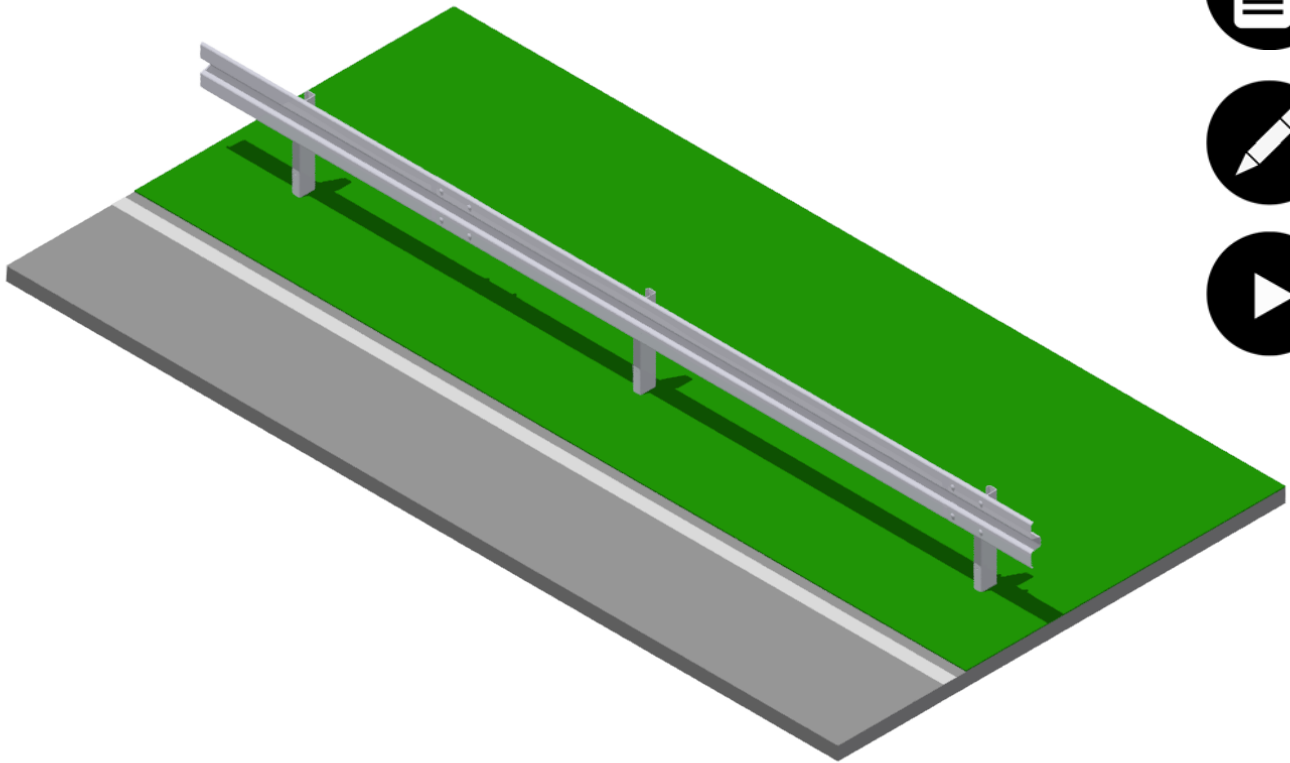
Application	Rammed
Type	Single
Construction width (m)	0,20
Construction height (m)	0,75
Beam shape	A-B
Post shape	C125
Post distance (m)	1,33
Post length (m)	1,55
Loading capacity (m)	-



Novo Rail 2.66 L1

Steel road guardrail

H1 W3 A



Performances

Containment level	H1
Normalized working width (m)	1,00
Class of normalized working width	W3
Acceleration Severity Index (ASI)	A
Normalized dynamic deflection (m)	0,90
Vehicle Intrusion (VI)	VI4
THIV (Km/h)	-
Tested length (m)	40,00
CE certificate number	0531-CPR-1317-2977

Geometrical characteristics

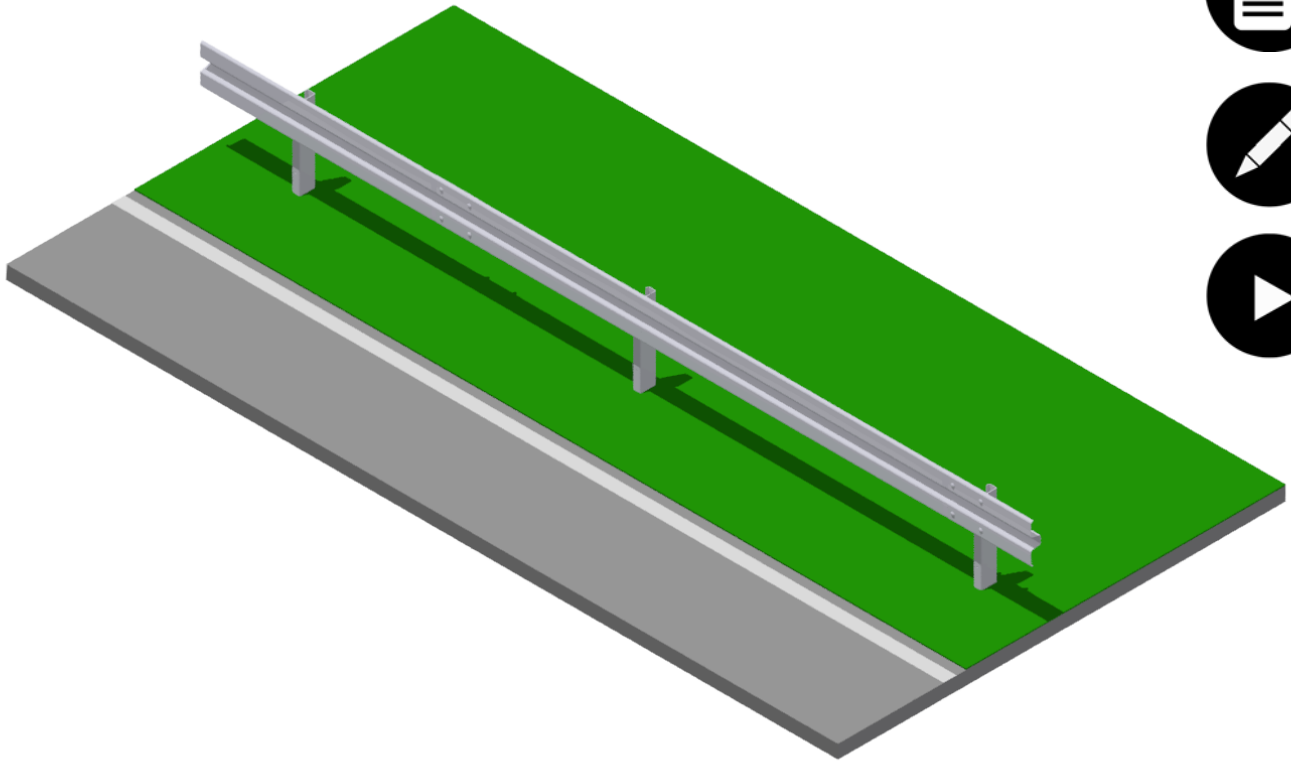
Application	Rammed
Type	Single
Construction width (m)	0,20
Construction height (m)	0,75
Beam shape	A-B
Post shape	C125
Post distance (m)	2,66
Post length (m)	1,55
Loading capacity (m)	-



Novo Rail 2.66 L1

Steel road guardrail

N2 W2 A



Performances

Containment level	N2
Normalized working width (m)	0,80
Class of normalized working width	W2
Acceleration Severity Index (ASI)	A
Normalized dynamic deflection (m)	0,70
Vehicle Intrusion (VI)	-
THIV (Km/h)	-
Tested length (m)	40,00
CE certificate number	0531-CPR-1317-2977

Geometrical characteristics

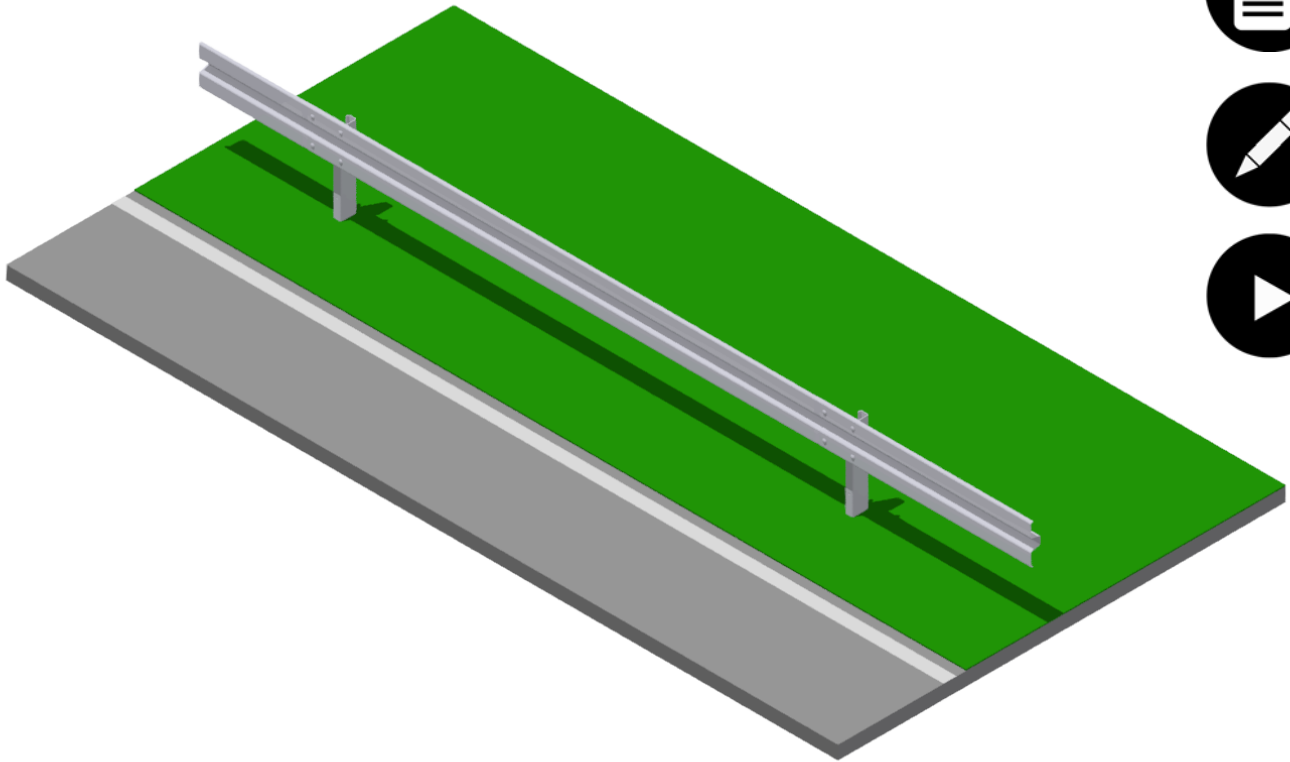
Application	Rammed
Type	Single
Construction width (m)	0,20
Construction height (m)	0,75
Beam shape	A-B
Post shape	C125
Post distance (m)	2,66
Post length (m)	1,55
Loading capacity (m)	-



Novo Rail 4.00 L1

Steel road guardrail

H1 W4 A



Performances

Containment level	H1
Normalized working width (m)	1,30
Class of normalized working width	W4
Acceleration Severity Index (ASI)	A
Normalized dynamic deflection (m)	1,20
Vehicle Intrusion (VI)	VI6
THIV (Km/h)	-
Tested length (m)	40,00
CE certificate number	0531-CPR-1317-2978

Geometrical characteristics

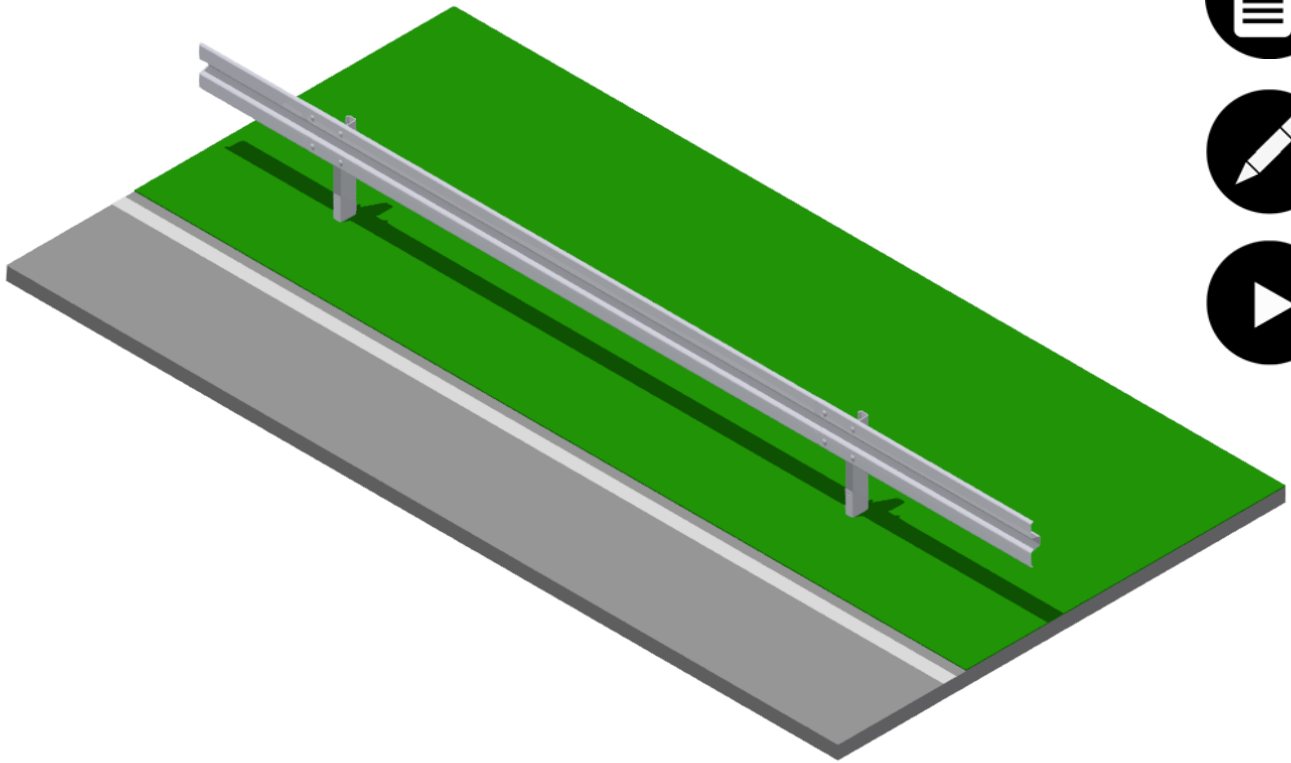
Application	Rammed
Type	Single
Construction width (m)	0,20
Construction height (m)	0,75
Beam shape	A-B
Post shape	C125
Post distance (m)	4,00
Post length (m)	1,55
Loading capacity (m)	1.800



Novo Rail 4.00 L1

Steel road guardrail

N2 W3 A



Performances

Containment level	N2
Normalized working width (m)	1,00
Class of normalized working width	W3
Acceleration Severity Index (ASI)	A
Normalized dynamic deflection (m)	1,00
Vehicle Intrusion (VI)	-
THIV (Km/h)	-
Tested length (m)	40,00
CE certificate number	0531-CPR-1317-2978

Geometrical characteristics

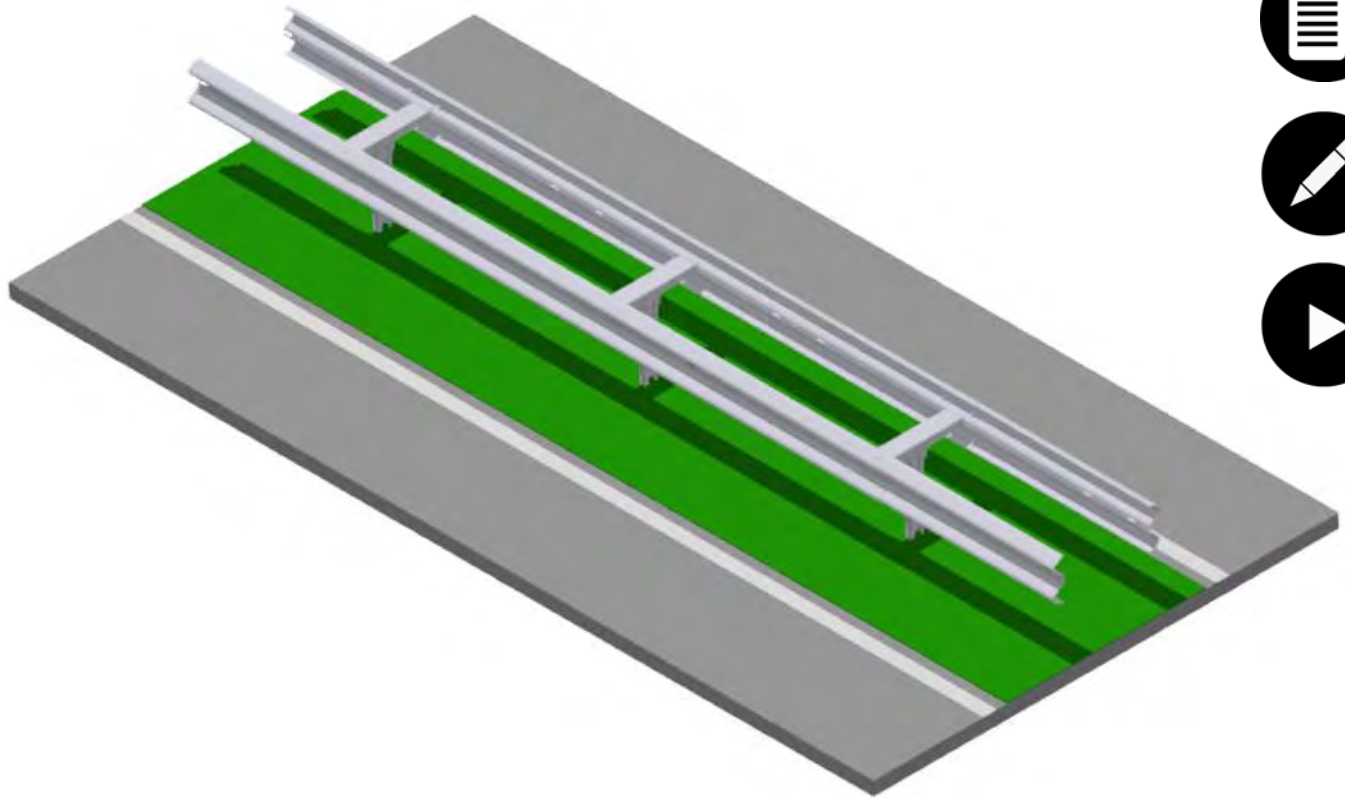
Application	Rammed
Type	Single
Construction width (m)	0,20
Construction height (m)	0,75
Beam shape	A-B
Post shape	C125
Post distance (m)	4,00
Post length (m)	1,55
Loading capacity (m)	1.800



P13

Steel road guardrail

H2 W5 A



Performances

Containment level	H2
Normalized working width (m)	1,60
Class of normalized working width	W5
Acceleration Severity Index (ASI)	A
Normalized dynamic deflection (m)	1,50
Vehicle Intrusion (VI)	1,6
THIV (Km/h)	23
Tested length (m)	68,00
CE certificate number	2131-CPR-939

Geometrical characteristics

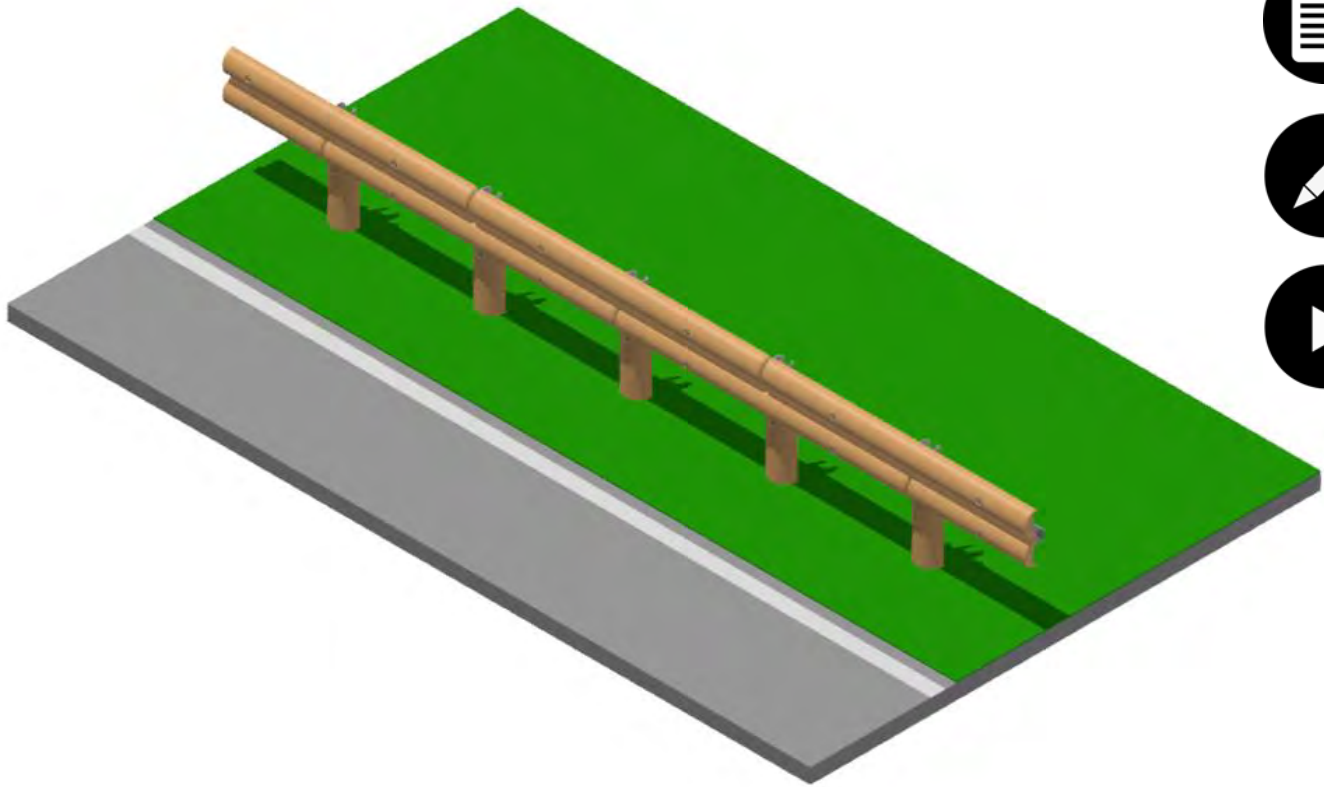
Application	Rammed
Type	Double
Construction width (m)	0,8
Construction height (m)	0,75
Beam shape	AF
Post shape	C 100
Post distance (m)	2,00
Post length (m)	1,50
Loading capacity (m)	-



Passion 1.0

Steel and wood road guardrail

H1 W2 A



Performances

Containment level	H1
Normalized working width (m)	0,80
Class of normalized working width	W2
Acceleration Severity Index (ASI)	A
Normalized dynamic deflection (m)	0,70
Vehicle Intrusion (VI)	-
THIV (Km/h)	28
Tested length (m)	48,00
CE certificate number	1020-CPR-090-051264

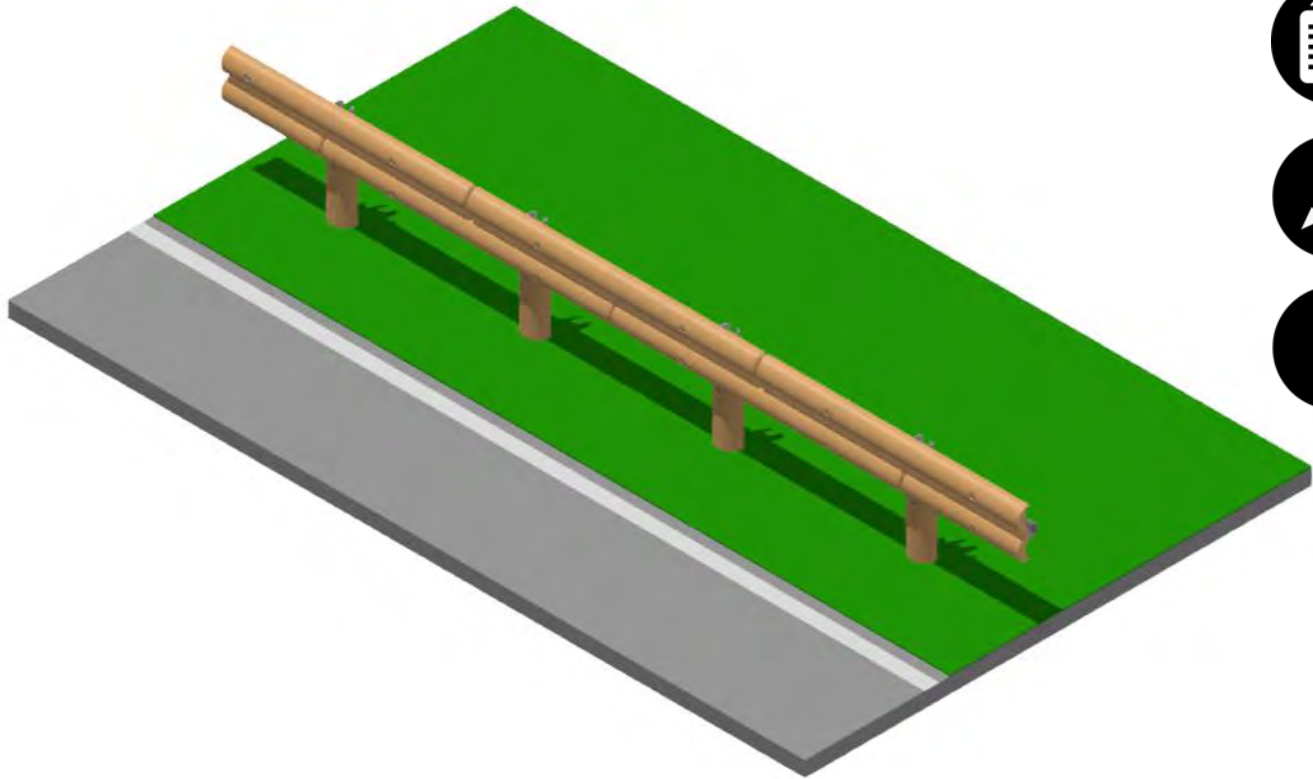
Geometrical characteristics

Application	Rammed
Type	Wood/steel
Construction width (m)	0,195
Construction height (m)	0,74
Beam shape	B
Post shape	C100
Post distance (m)	1,00
Post length (m)	1,65
Loading capacity (m)	-



Passion 1.33

Steel and wood road
guardrail N2 W2 A



Performances

Containment level	N2
Normalized working width (m)	0,80
Class of normalized working width	W2
Acceleration Severity Index (ASI)	A
Normalized dynamic deflection (m)	0,70
Vehicle Intrusion (VI)	-
THIV (Km/h)	29
Tested length (m)	48,00
CE certificate number	1020-CPR-090-051270

Geometrical characteristics

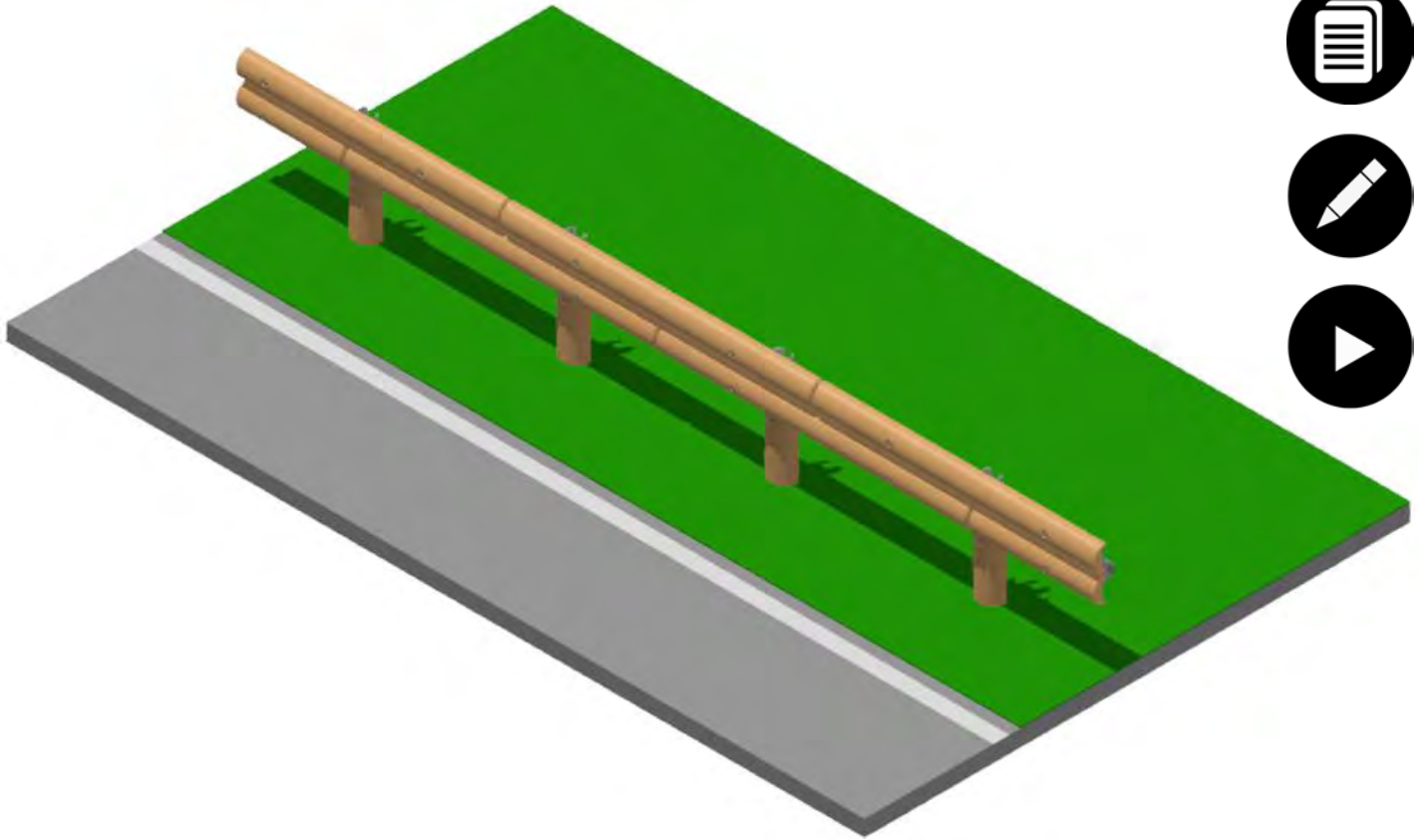
Application	Rammed
Type	Wood/steel
Construction width (m)	0,195
Construction height (m)	0,74
Beam shape	B
Post shape	C100
Post distance (m)	1,33
Post length (m)	1,65
Loading capacity (m)	-



Passion 1.33

Steel and wood road guardrail

H1 W3 A



Performances

Containment level	H1
Normalized working width (m)	0,90
Class of normalized working width	W3
Acceleration Severity Index (ASI)	A
Normalized dynamic deflection (m)	0,80
Vehicle Intrusion (VI)	2,10
THIV (Km/h)	29
Tested length (m)	48,00
CE certificate number	1020-CPR-090-051266

Geometrical characteristics

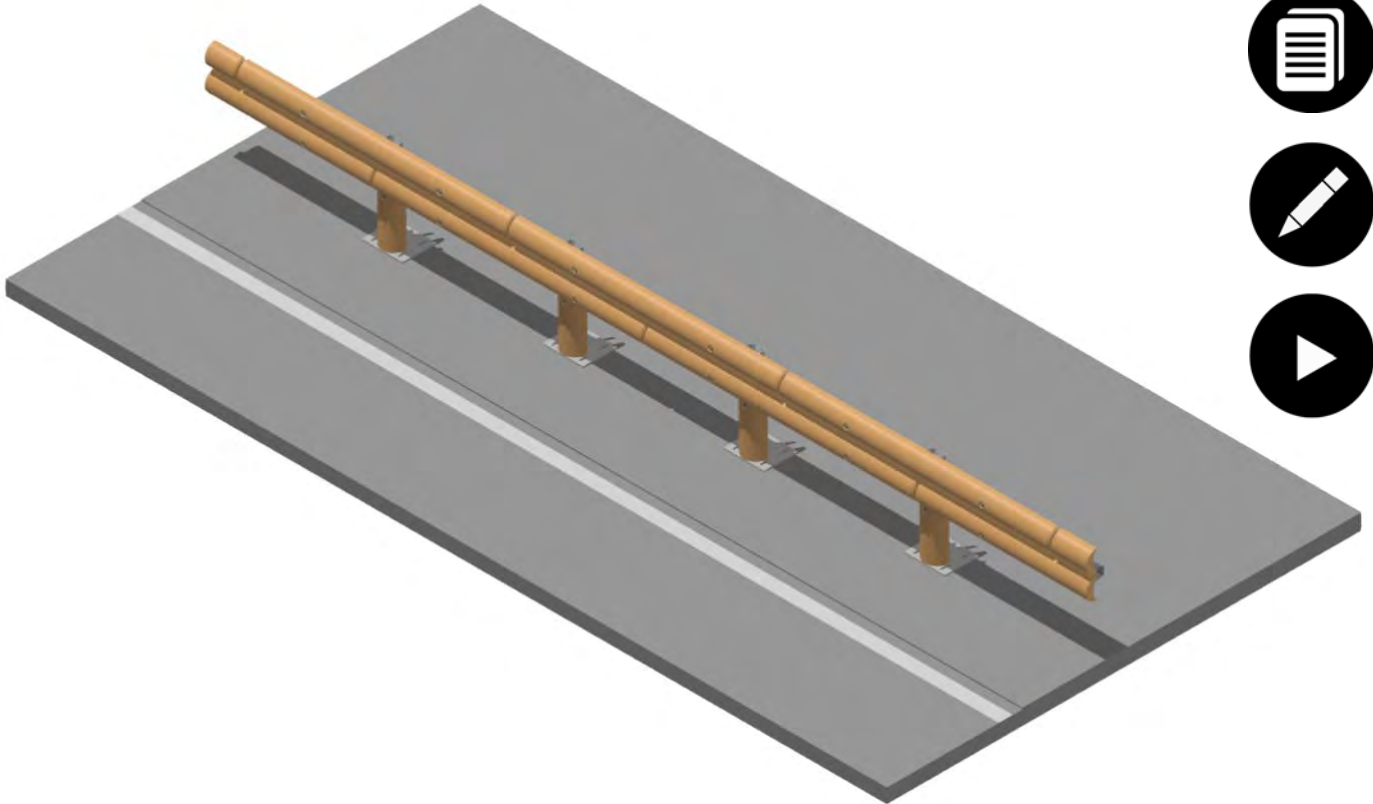
Application	Rammed
Type	Wood/steel
Construction width (m)	0,195
Construction height (m)	0,74
Beam shape	B
Post shape	C100
Post distance (m)	1,33
Post length (m)	1,65
Loading capacity (m)	-



Passion 1.33 BW

Steel and wood road guardrail

H1 W4 A



Performances

Containment level	H1
Normalized working width (m)	1,20
Class of normalized working width	W4
Acceleration Severity Index (ASI)	A
Normalized dynamic deflection (m)	1,00
Vehicle Intrusion (VI)	1,50
THIV (Km/h)	29
Tested length (m)	48,00
CE certificate number	1020-CPR-090-051276

Geometrical characteristics

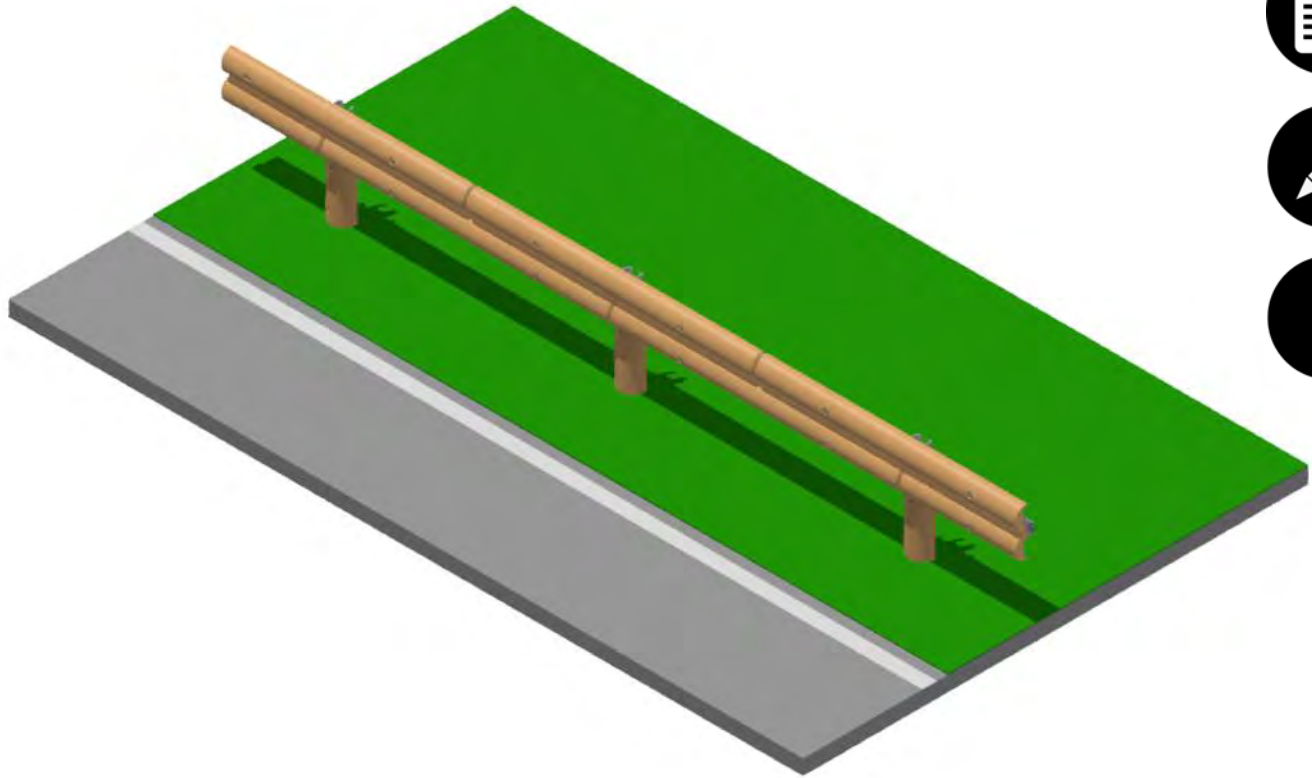
Application	On structures
Type	Wood/steel
Construction width (m)	0,195
Construction height (m)	0,74
Beam shape	B
Post shape	C100
Post distance (m)	1,33
Post length (m)	0,74
Loading capacity (m)	-



Passion 2.0

Steel road guardrail

N2 W3 A



Performances

Containment level	N2
Normalized working width (m)	1,00
Class of normalized working width	W3
Acceleration Severity Index (ASI)	A
Normalized dynamic deflection (m)	0,90
Vehicle Intrusion (VI)	-
THIV (Km/h)	29
Tested length (m)	48,00
CE certificate number	1020-CPR-090-051272

Geometrical characteristics

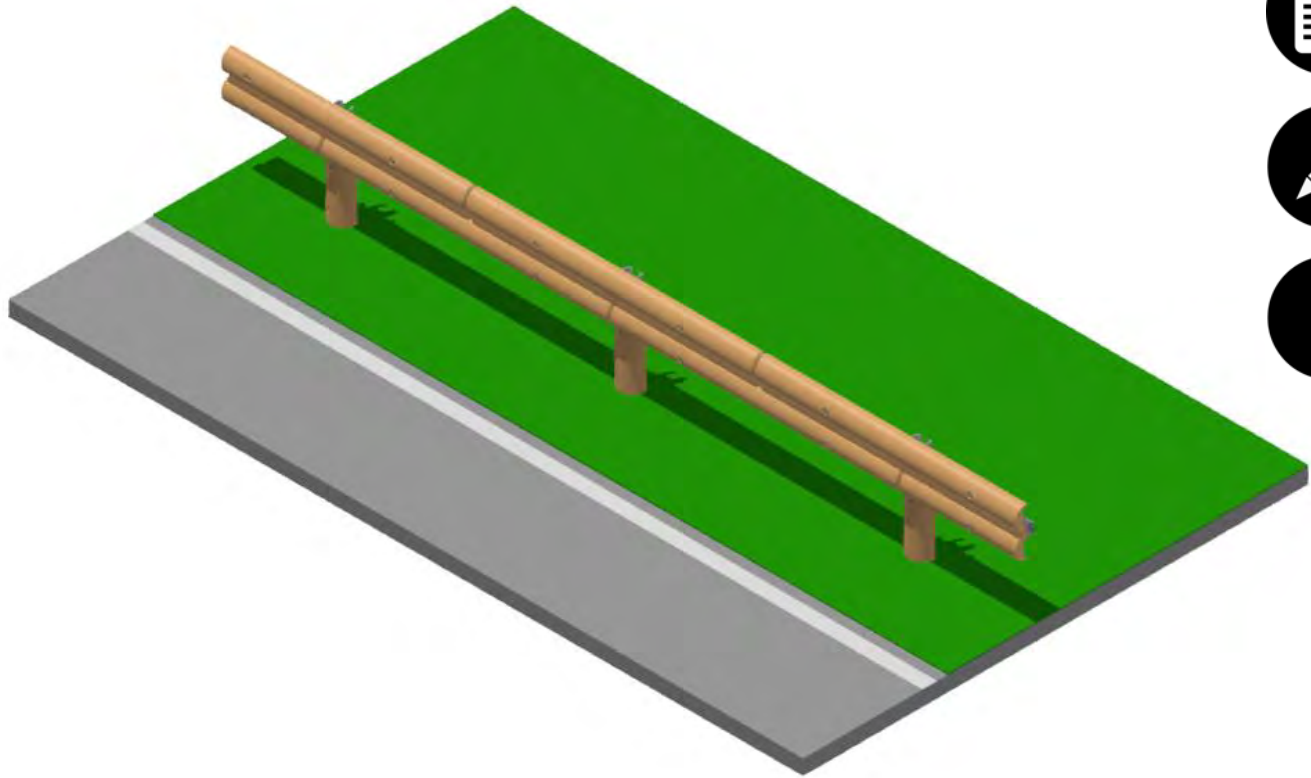
Application	Rammed
Type	Wood/steel
Construction width (m)	0,195
Construction height (m)	0,74
Beam shape	B
Post shape	C100
Post distance (m)	2,00
Post length (m)	1,65
Loading capacity (m)	-



Passion 2.0

Steel road guardrail

H1 W4 A



Performances

Containment level	H1
Normalized working width (m)	1,20
Class of normalized working width	W4
Acceleration Severity Index (ASI)	A
Normalized dynamic deflection (m)	1,10
Vehicle Intrusion (VI)	2,40
THIV (Km/h)	29
Tested length (m)	48,00
CE certificate number	1020-CPR-090-051268

Geometrical characteristics

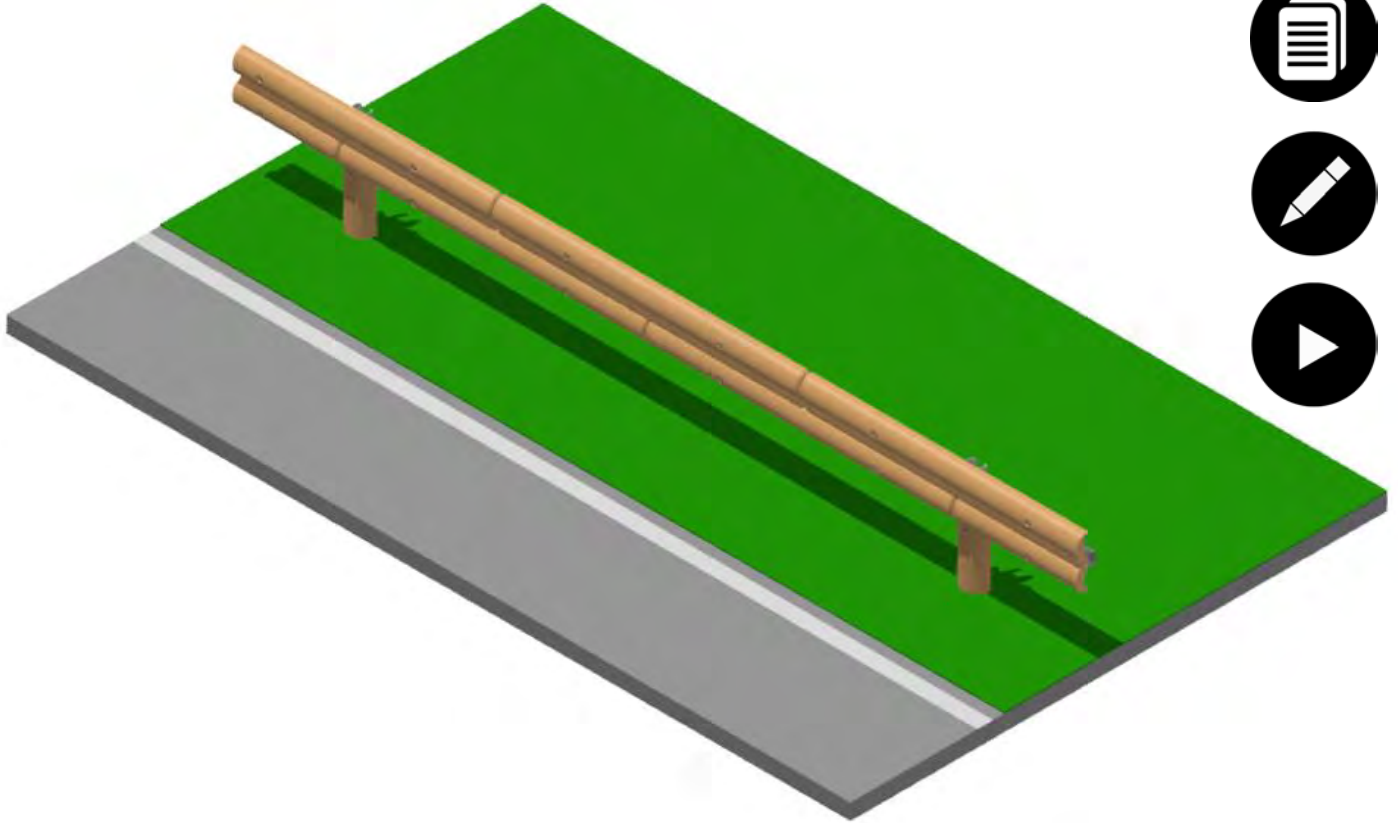
Application	Rammed
Type	Wood/steel
Construction width (m)	0,195
Construction height (m)	0,74
Beam shape	B
Post shape	C100
Post distance (m)	2,00
Post length (m)	1,65
Loading capacity (m)	-



Passion 4.0

Steel road guardrail

N2 W4 A



Performances

Containment level	N2
Normalized working width (m)	1,80
Class of normalized working width	W4
Acceleration Severity Index (ASI)	A
Normalized dynamic deflection (m)	1,10
Vehicle Intrusion (VI)	-
THIV (Km/h)	29
Tested length (m)	48,00
CE certificate number	1020-CPR-090-051274

Geometrical characteristics

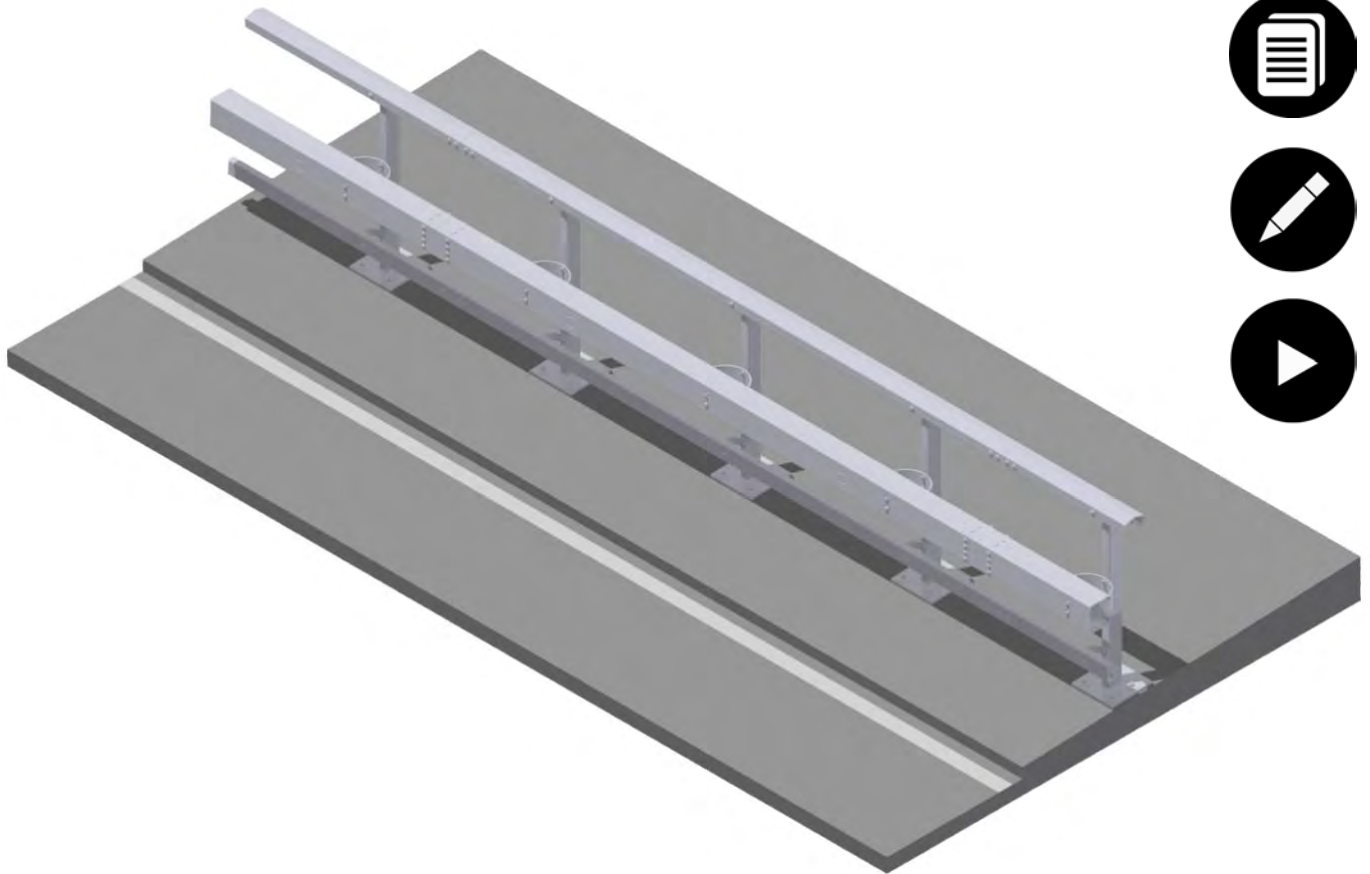
Application	Rammed
Type	Wood/steel
Construction width (m)	0,195
Construction height (m)	0,74
Beam shape	B
Post shape	C100
Post distance (m)	4,00
Post length (m)	1,65
Loading capacity (m)	-



SAFETY RAIL

Steel road guardrail

H2 W4 C



Performances

Containment level	H2
Normalized working width (m)	-
Class of normalized working width	W4
Acceleration Severity Index (ASI)	C
Normalized dynamic deflection (m)	-
Vehicle Intrusion (VI)	-
THIV (Km/h)	-
Tested length (m)	32,00
CE certificate number	0071-CPD-2011

Geometrical characteristics

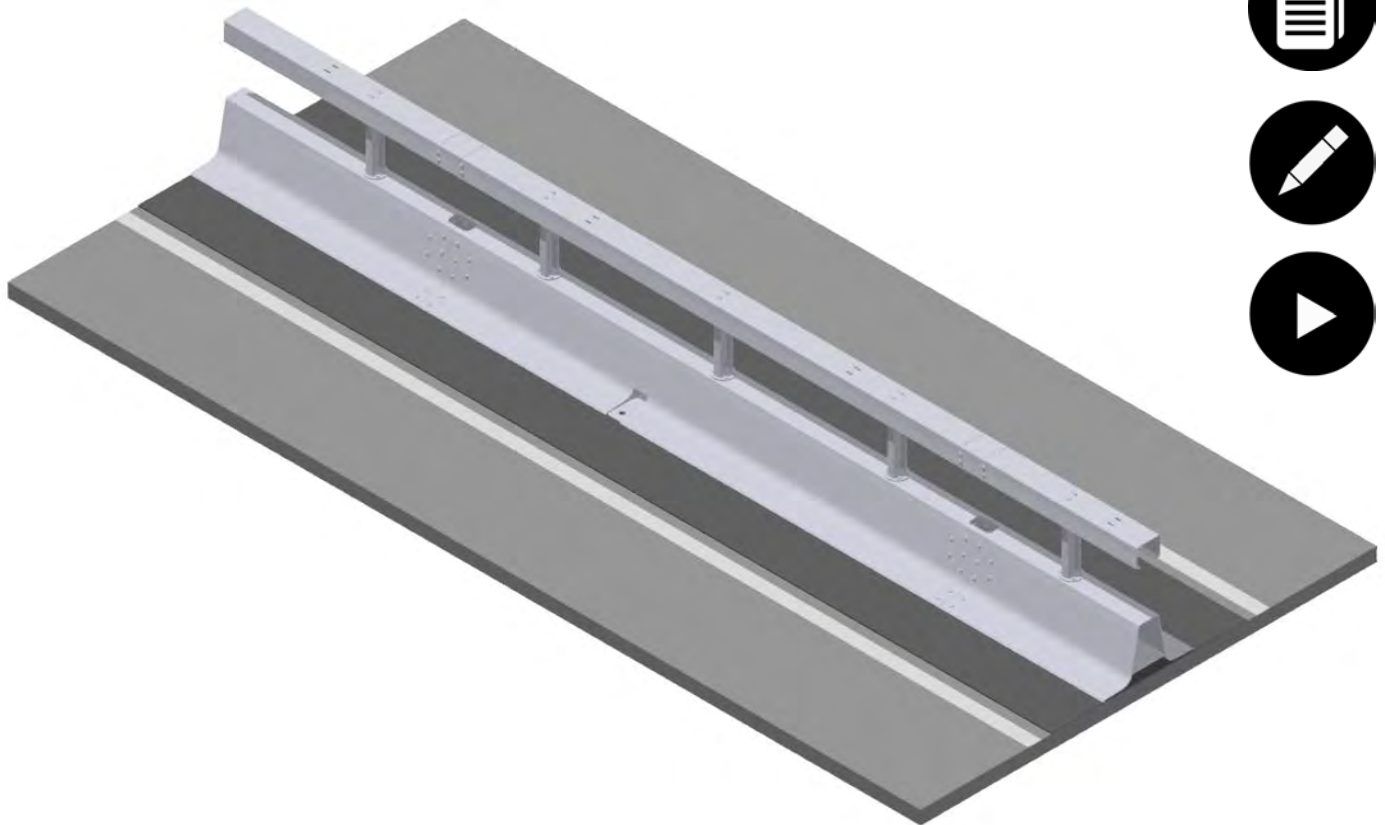
Application	On structures
Type	Single
Construction width (m)	0.4
Construction height (m)	1.25
Beam shape	Box Beam
Post shape	-
Post distance (m)	1.33
Post length (m)	-
Loading capacity (m)	-



SOLO-GUARD

Steel road guardrail

H1 W5 B



Performances

Containment level	H1
Normalized working width (m)	1,40
Class of normalized working width	W5
Acceleration Severity Index (ASI)	B
Normalized dynamic deflection (m)	0,68
Vehicle Intrusion (VI)	1,40
THIV (Km/h)	29
Tested length (m)	40,00
CE certificate number	0038-CPD-2011

Geometrical characteristics

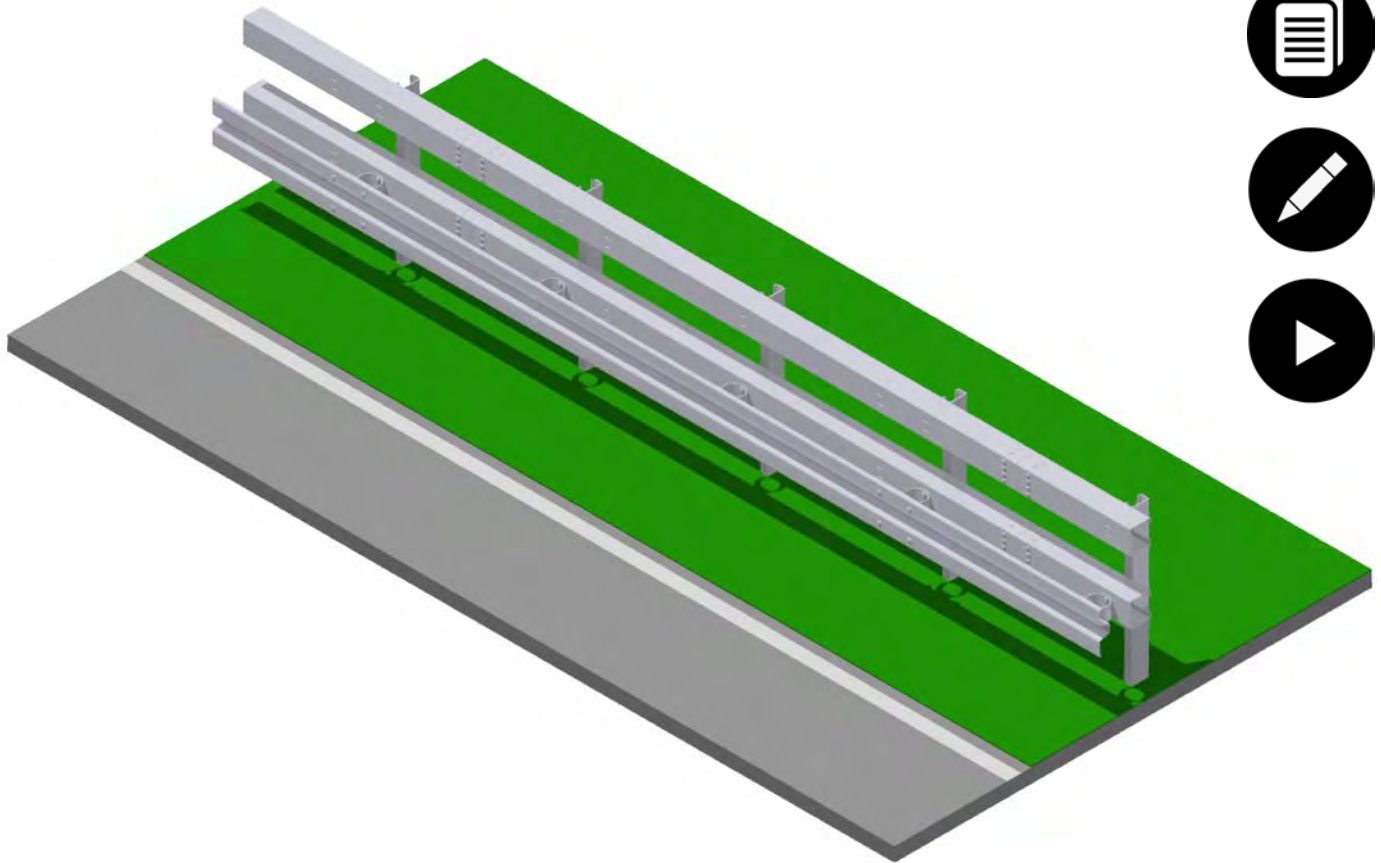
Application	Opening system
Type	Double
Construction width (m)	0,7
Construction height (m)	0,90
Beam shape	-
Post shape	-
Post distance (m)	-
Post length (m)	-
Loading capacity (m)	-



SUPER-RAIL

Steel road guardrail

N2 W2 A



Performances

Containment level	N2
Normalized working width (m)	0,80
Class of normalized working width	W2
Acceleration Severity Index (ASI)	A
Normalized dynamic deflection (m)	0,50
Vehicle Intrusion (VI)	-
THIV (Km/h)	32
Tested length (m)	40,00
CE certificate number	0138-CPR-2010

Geometrical characteristics

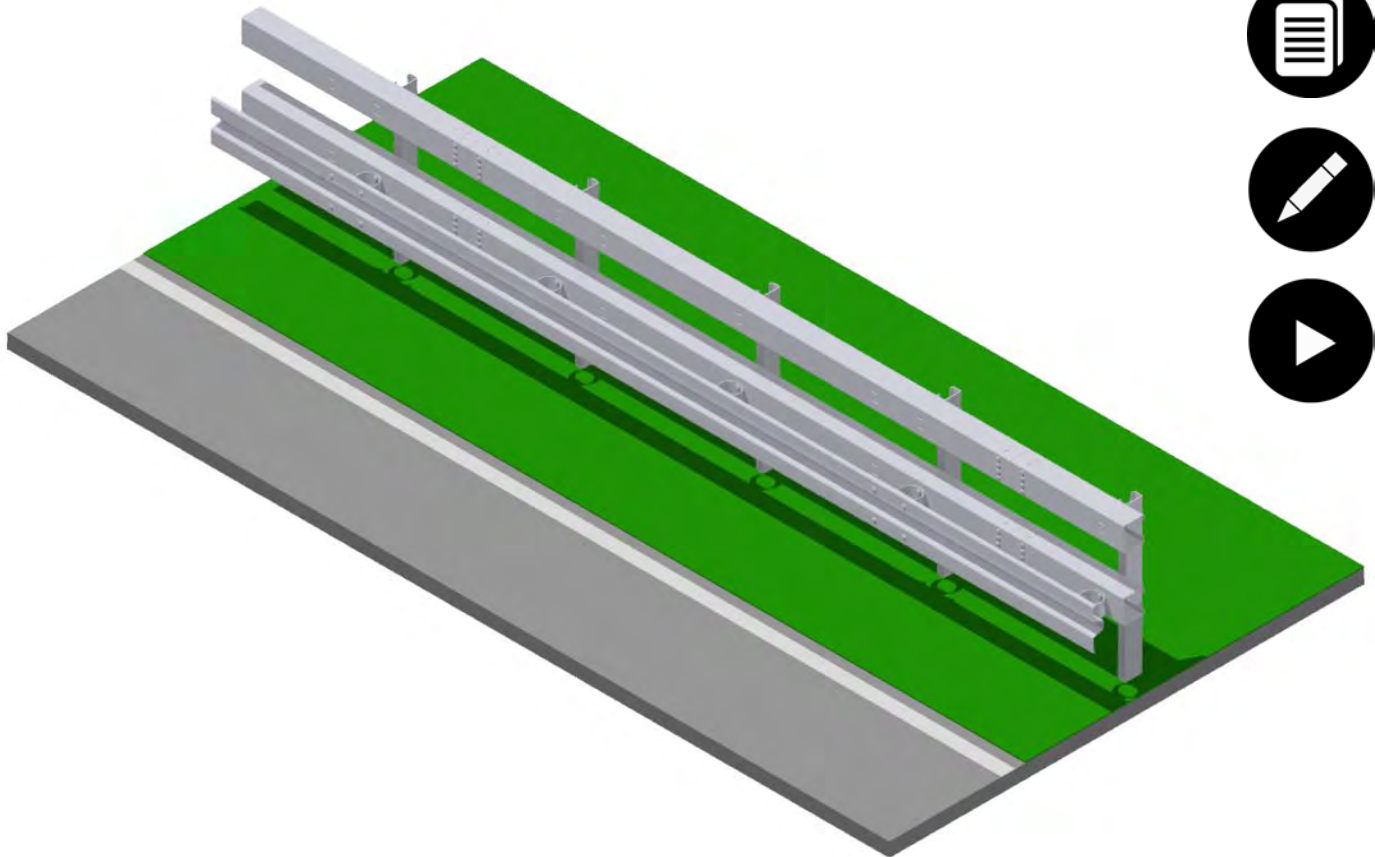
Application	Rammed
Type	Single
Construction width (m)	0,5
Construction height (m)	1,15
Beam shape	A/B
Post shape	C 125
Post distance (m)	1,33
Post length (m)	2,40
Loading capacity (m)	200,00



SUPER-RAIL

Steel road guardrail

H4b W7 A



Performances

Containment level	H4b
Normalized working width (m)	2,30
Class of normalized working width	W7
Acceleration Severity Index (ASI)	A
Normalized dynamic deflection (m)	2,00
Vehicle Intrusion (VI)	2,4
THIV (Km/h)	32
Tested length (m)	76,00
CE certificate number	0138-CPR-2010

Geometrical characteristics

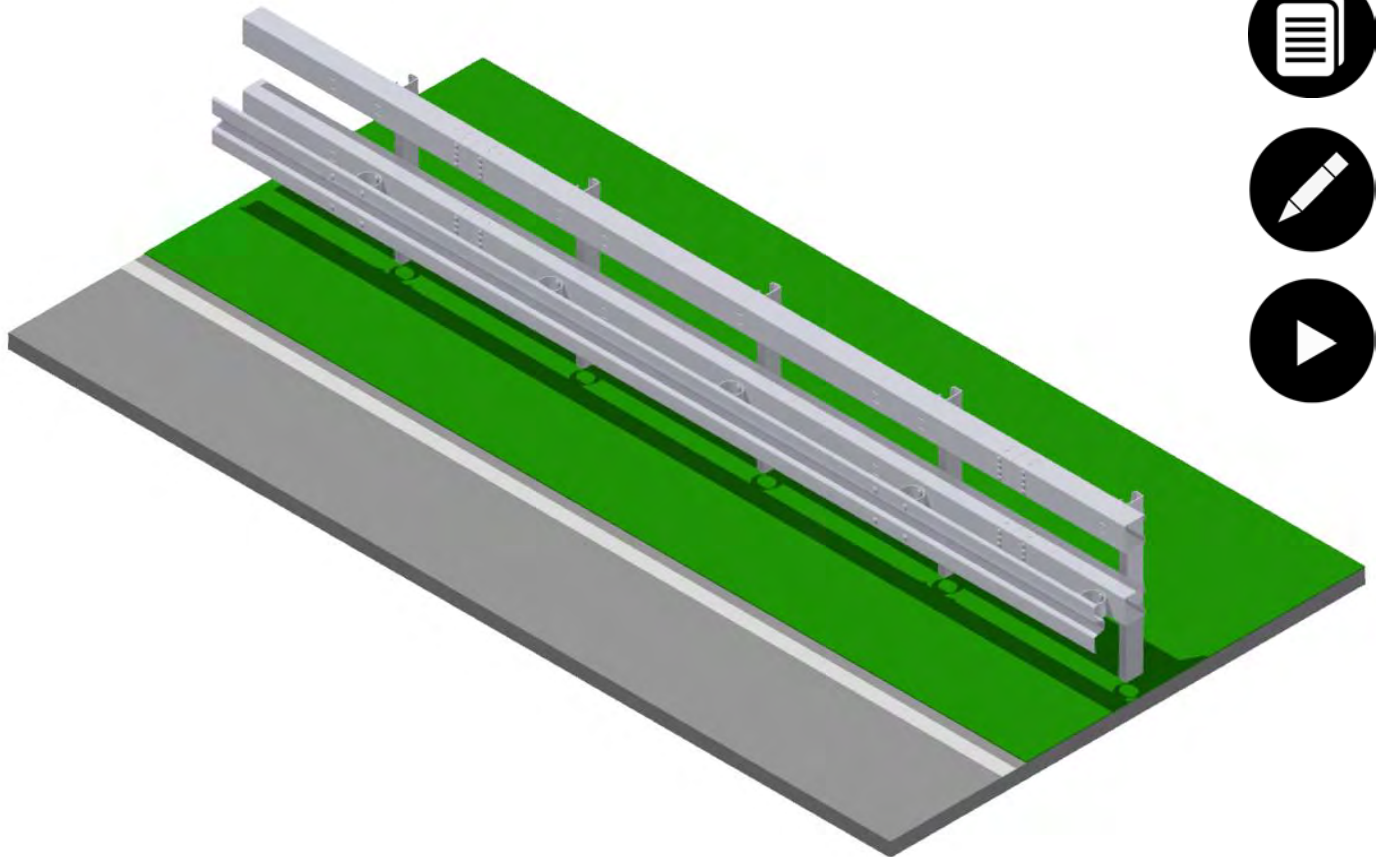
Application	Rammed
Type	Single
Construction width (m)	0,5
Construction height (m)	1,15
Beam shape	A/B
Post shape	C 125
Post distance (m)	1,33
Post length (m)	2,40
Loading capacity (m)	200,00



SUPER-RAIL

Steel road guardrail

H2 W4 A



Performances

Containment level	H2
Normalized working width (m)	1,30
Class of normalized working width	W4
Acceleration Severity Index (ASI)	A
Normalized dynamic deflection (m)	0,80
Vehicle Intrusion (VI)	1,3
THIV (Km/h)	32
Tested length (m)	40,00
CE certificate number	0138-CPR-2010

Geometrical characteristics

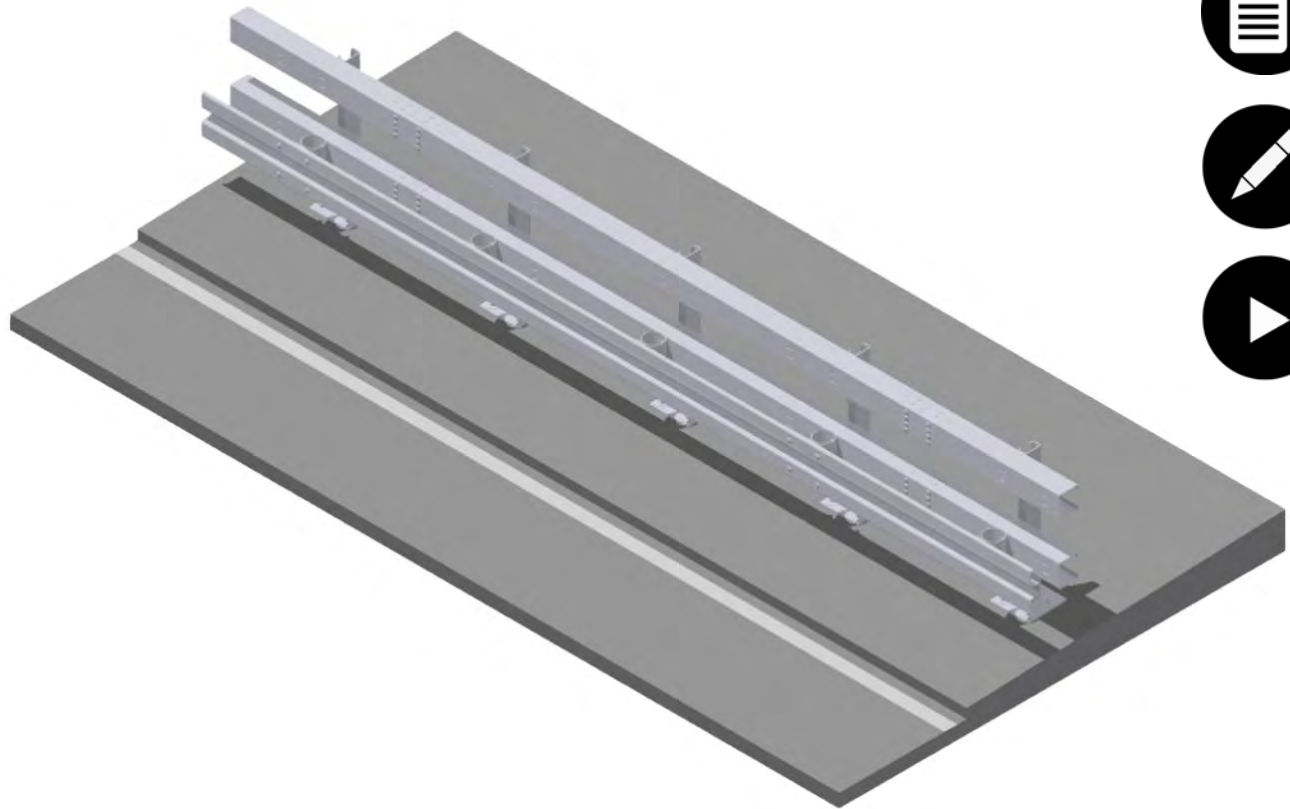
Application	Rammed
Type	Single
Construction width (m)	0,5
Construction height (m)	1,15
Beam shape	A/B
Post shape	C 125
Post distance (m)	1,33
Post length (m)	2,40
Loading capacity (m)	200,00



SUPER-RAIL BW

Steel road guardrail

H2 W4 B



Performances

Containment level	H2
Normalized working width (m)	1,20
Class of normalized working width	W4
Acceleration Severity Index (ASI)	B
Normalized dynamic deflection (m)	0,60
Vehicle Intrusion (VI)	1,2
THIV (Km/h)	31
Tested length (m)	36,00
CE certificate number	0119-CPR-2010

Geometrical characteristics

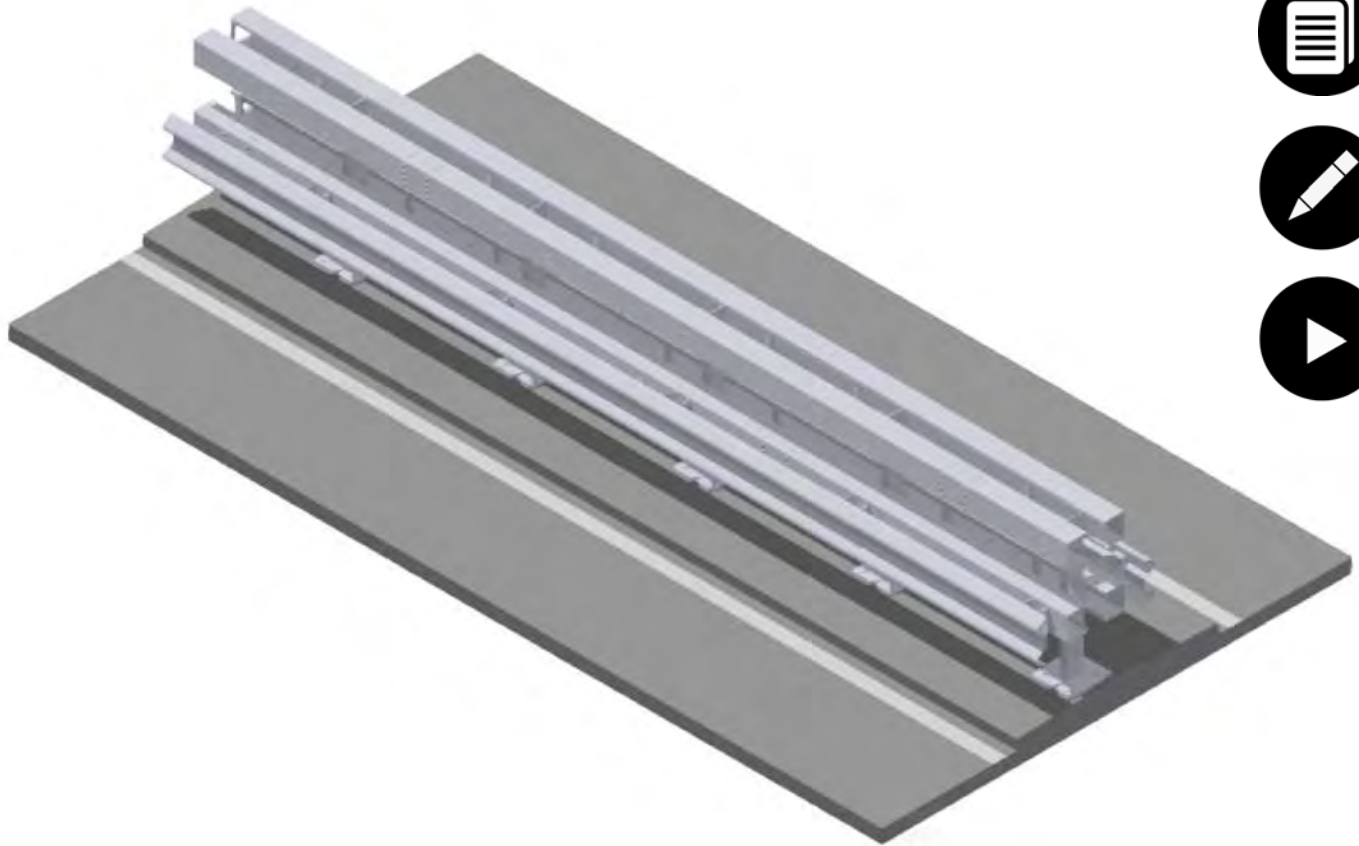
Application	On structures
Type	Single
Construction width (m)	0,585
Construction height (m)	0,11
Beam shape	A/B
Post shape	C125
Post distance (m)	1,33
Post length (m)	0,11
Loading capacity (m)	200,00



SUPER-RAIL double BW

Steel road guardrail

H2 W4 B



Performances

Containment level	H2
Normalized working width (m)	1,20
Class of normalized working width	W4
Acceleration Severity Index (ASI)	B
Normalized dynamic deflection (m)	0,60
Vehicle Intrusion (VI)	1,2
THIV (Km/h)	31
Tested length (m)	36,00
CE certificate number	0119-CPR-2010

Geometrical characteristics

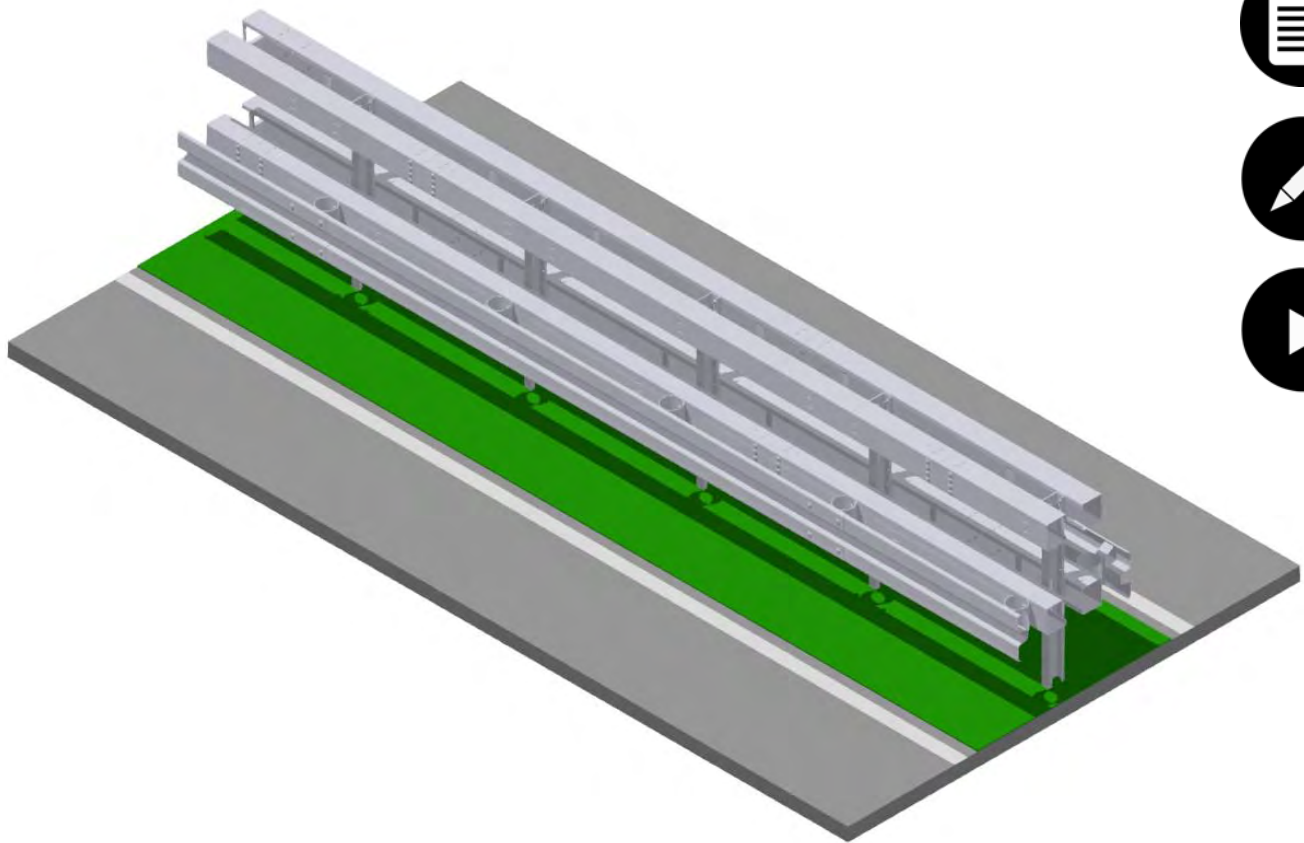
Application	On structures
Type	Double
Construction width (m)	0,89
Construction height (m)	1,15
Beam shape	A/B
Post shape	C125
Post distance (m)	1,33
Post length (m)	0,79
Loading capacity (m)	-



SUPER-RAIL double

Steel road guardrail

N2 W4 B



Performances

Containment level	N2
Normalized working width (m)	1,20
Class of normalized working width	W4
Acceleration Severity Index (ASI)	B
Normalized dynamic deflection (m)	0,60
Vehicle Intrusion (VI)	1
THIV (Km/h)	32
Tested length (m)	60,00
CE certificate number	0103-CPR-2010

Geometrical characteristics

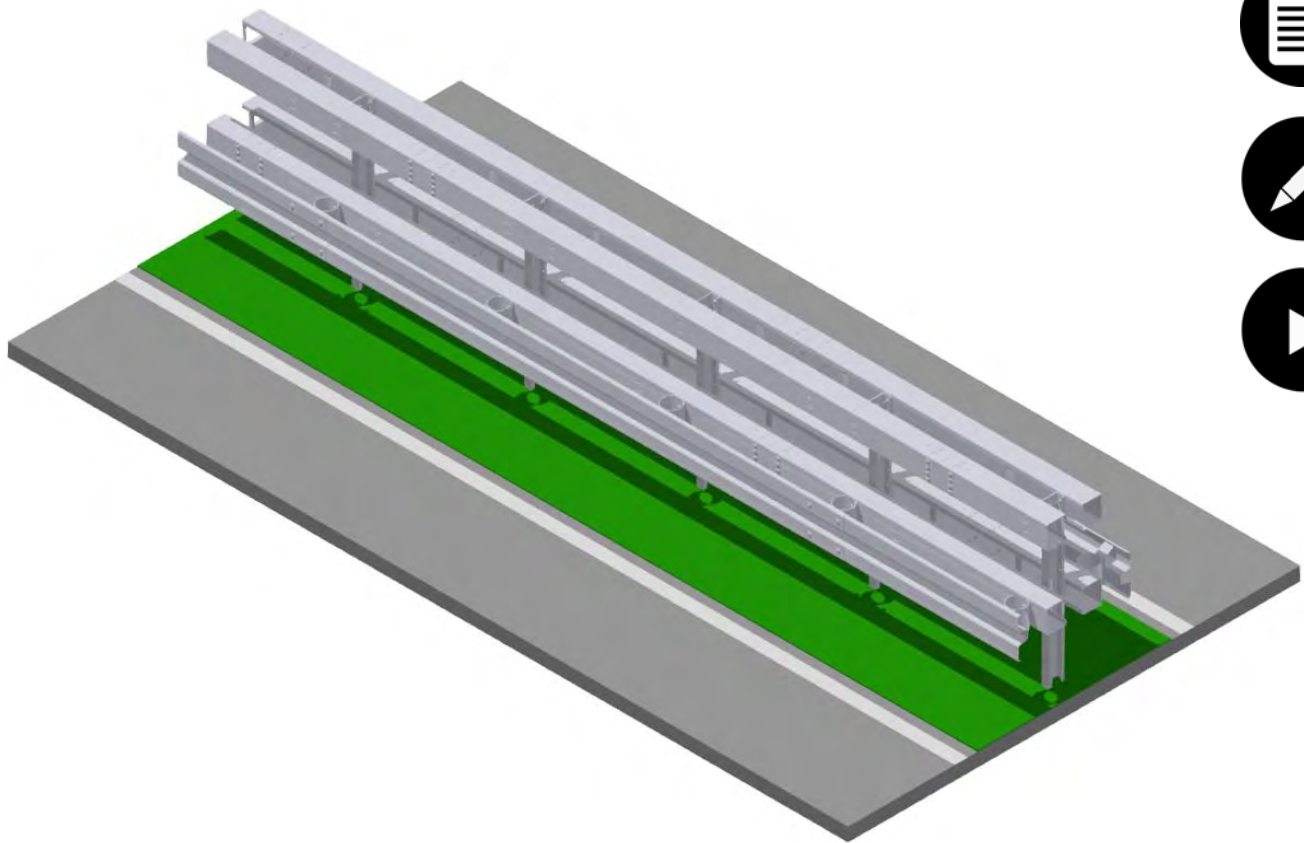
Application	Rammed
Type	Double
Construction width (m)	0,9
Construction height (m)	1,15
Beam shape	A/B
Post shape	C 125
Post distance (m)	1,33
Post length (m)	2,40
Loading capacity (m)	148,00



SUPER-RAIL double

Steel road guardrail

H2 W4 B



Performances

Containment level	H2
Normalized working width (m)	1,20
Class of normalized working width	W4
Acceleration Severity Index (ASI)	B
Normalized dynamic deflection (m)	0,60
Vehicle Intrusion (VI)	1
THIV (Km/h)	32
Tested length (m)	60,00
CE certificate number	0103-CPR-2010

Geometrical characteristics

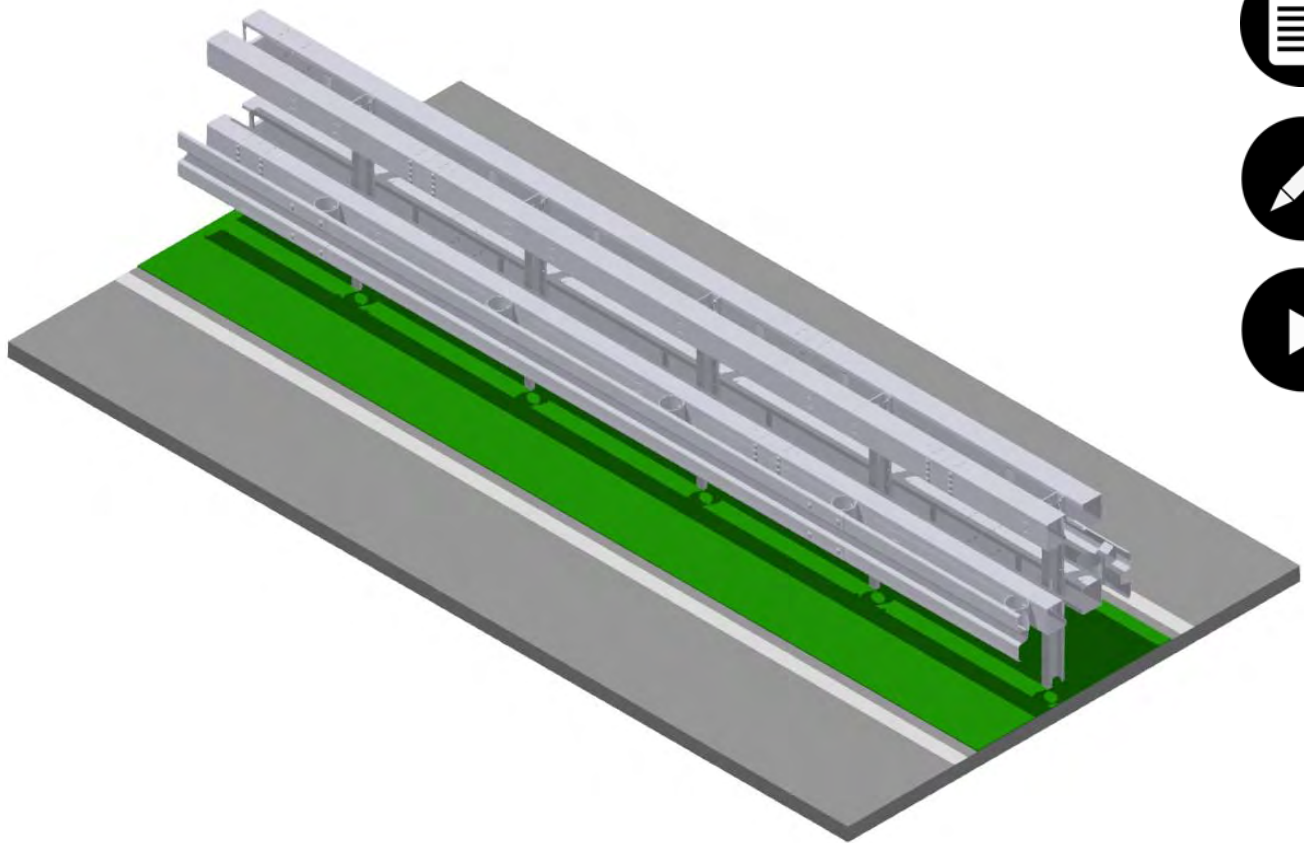
Application	Rammed
Type	Double
Construction width (m)	0,9
Construction height (m)	1,15
Beam shape	A/B
Post shape	C 125
Post distance (m)	1,33
Post length (m)	2,40
Loading capacity (m)	148,00



SUPER-RAIL DS H4b

Steel road guardrail

H4b W5 B



Performances

Containment level	H4b
Normalized working width (m)	1,50
Class of normalized working width	W5
Acceleration Severity Index (ASI)	B
Normalized dynamic deflection (m)	0,90
Vehicle Intrusion (VI)	3,4
THIV (Km/h)	32
Tested length (m)	76,00
CE certificate number	0043-CPR-2011

Geometrical characteristics

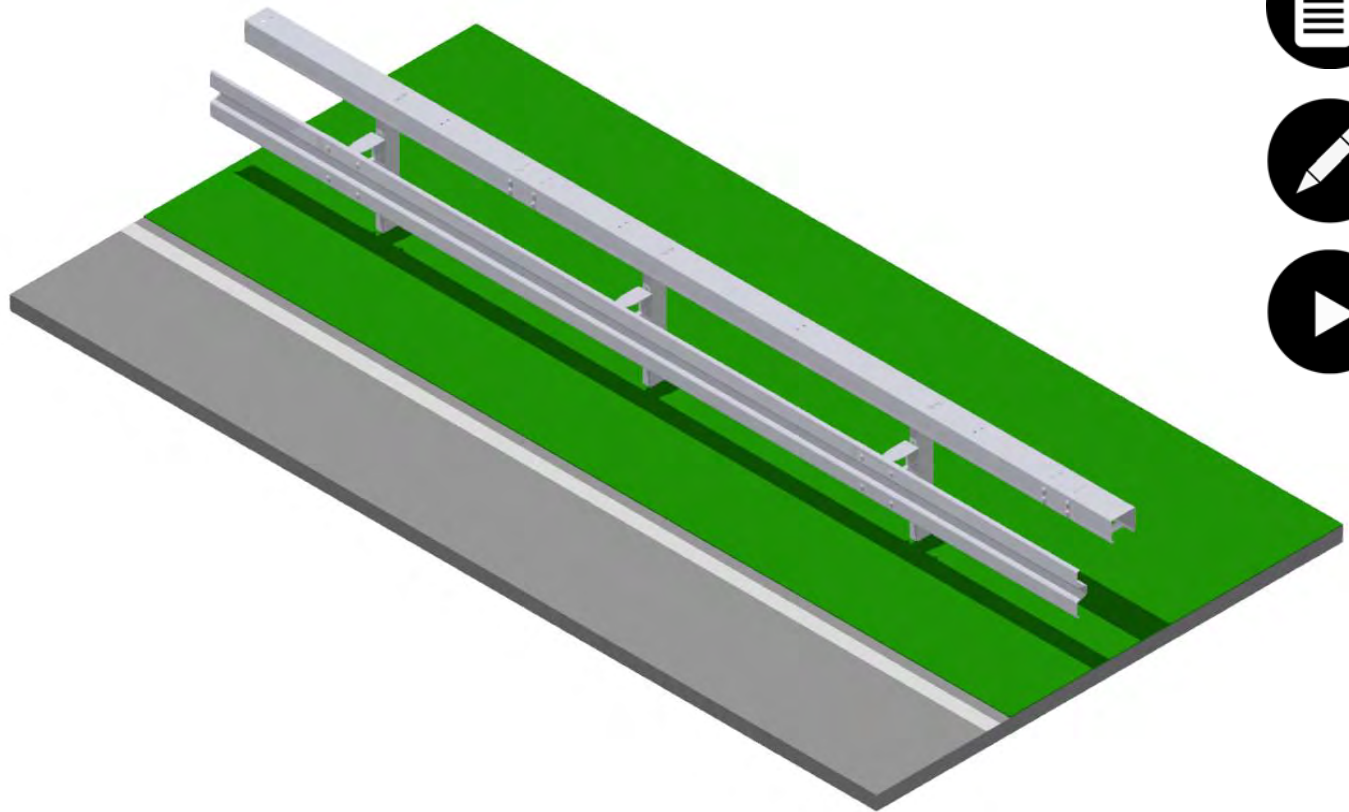
Application	Rammed
Type	Double
Construction width (m)	0,88
Construction height (m)	1,25
Beam shape	A/B
Post shape	C 125
Post distance (m)	1,33
Post length (m)	2,40
Loading capacity (m)	148,00



SUPER-RAIL Eco

Steel road guardrail

N2 W4 B



Performances

Containment level	N2
Normalized working width (m)	1,30
Class of normalized working width	W4
Acceleration Severity Index (ASI)	A
Normalized dynamic deflection (m)	0,70
Vehicle Intrusion (VI)	-
THIV (Km/h)	27
Tested length (m)	52,00
CE certificate number	0008-CPR-2011

Geometrical characteristics

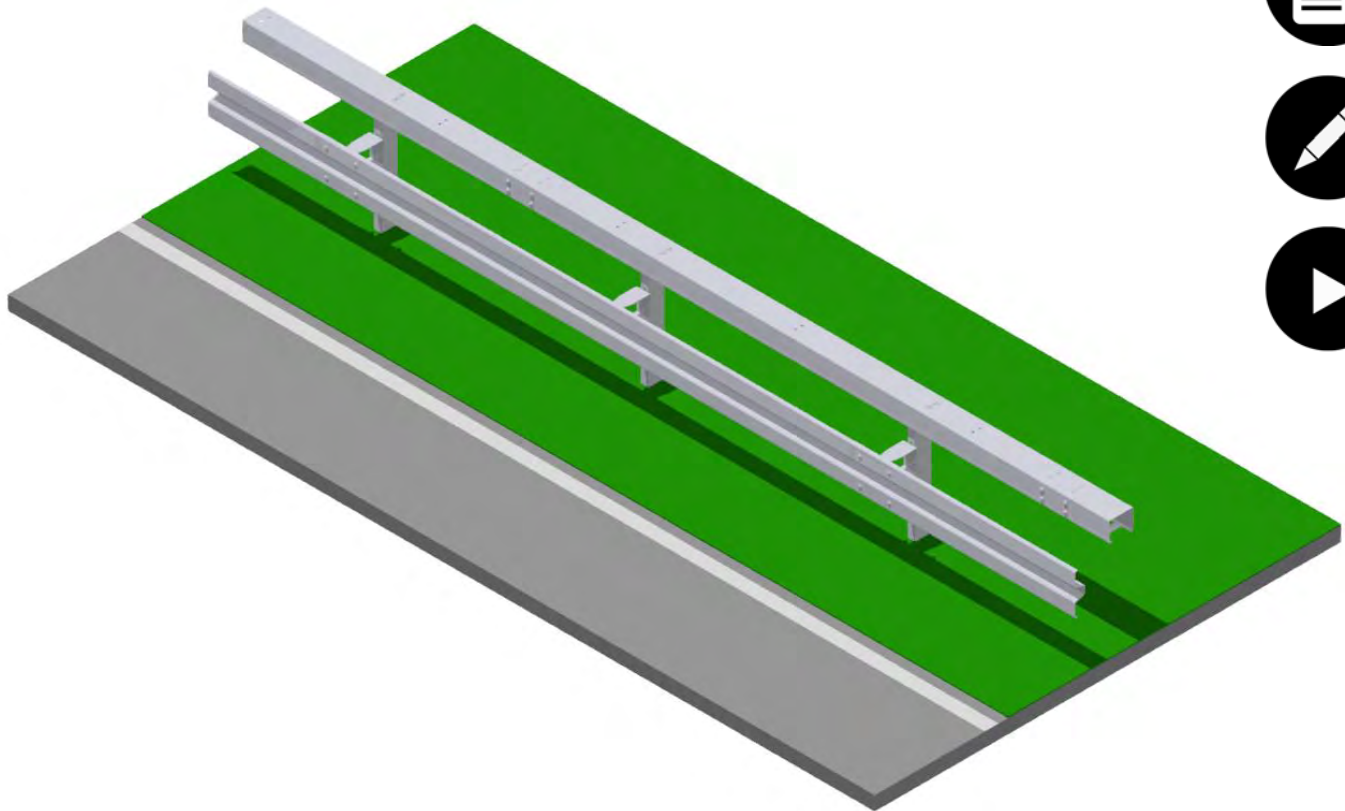
Application	Rammed
Type	Single
Construction width (m)	0,45
Construction height (m)	0,90
Beam shape	A/B
Post shape	C 125
Post distance (m)	2,00
Post length (m)	1,90
Loading capacity (m)	360,00



SUPER-RAIL Eco

Steel road guardrail

H2 W4 B



Performances

Containment level	H2
Normalized working width (m)	1,30
Class of normalized working width	W4
Acceleration Severity Index (ASI)	A
Normalized dynamic deflection (m)	0,70
Vehicle Intrusion (VI)	1,3
THIV (Km/h)	27
Tested length (m)	52,00
CE certificate number	0008-CPR-2011

Geometrical characteristics

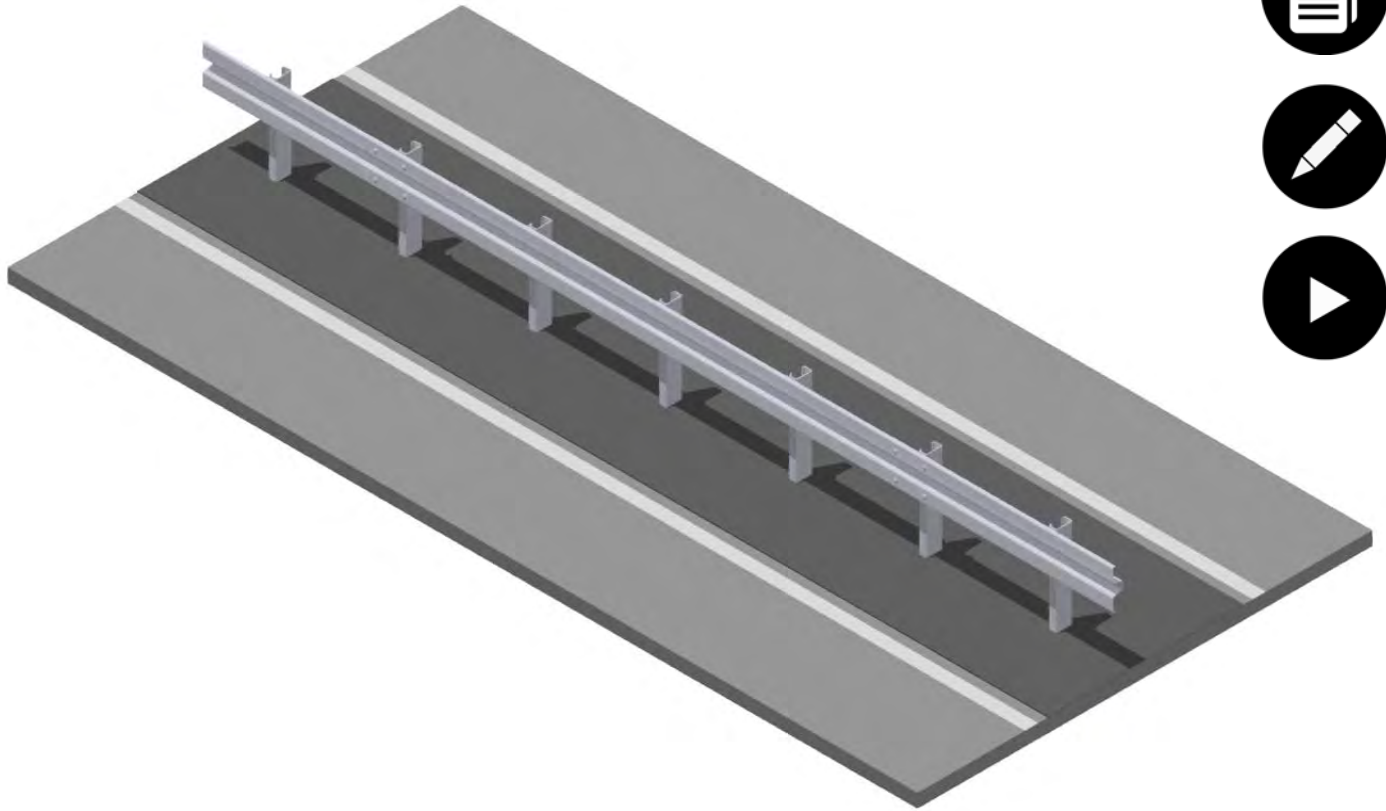
Application	Rammed
Type	Single
Construction width (m)	0,45
Construction height (m)	0,90
Beam shape	A/B
Post shape	C 125
Post distance (m)	2,00
Post length (m)	1,90
Loading capacity (m)	360,00



SUPER-RAIL Eco 1A/ MUF

Steel road guardrail

N2 W4 B



Performances

Containment level	N2
Normalized working width (m)	1,30
Class of normalized working width	W4
Acceleration Severity Index (ASI)	B
Normalized dynamic deflection (m)	1,10
Vehicle Intrusion (VI)	-
THIV (Km/h)	27
Tested length (m)	52,00
CE certificate number	0161-CPR-2010

Geometrical characteristics

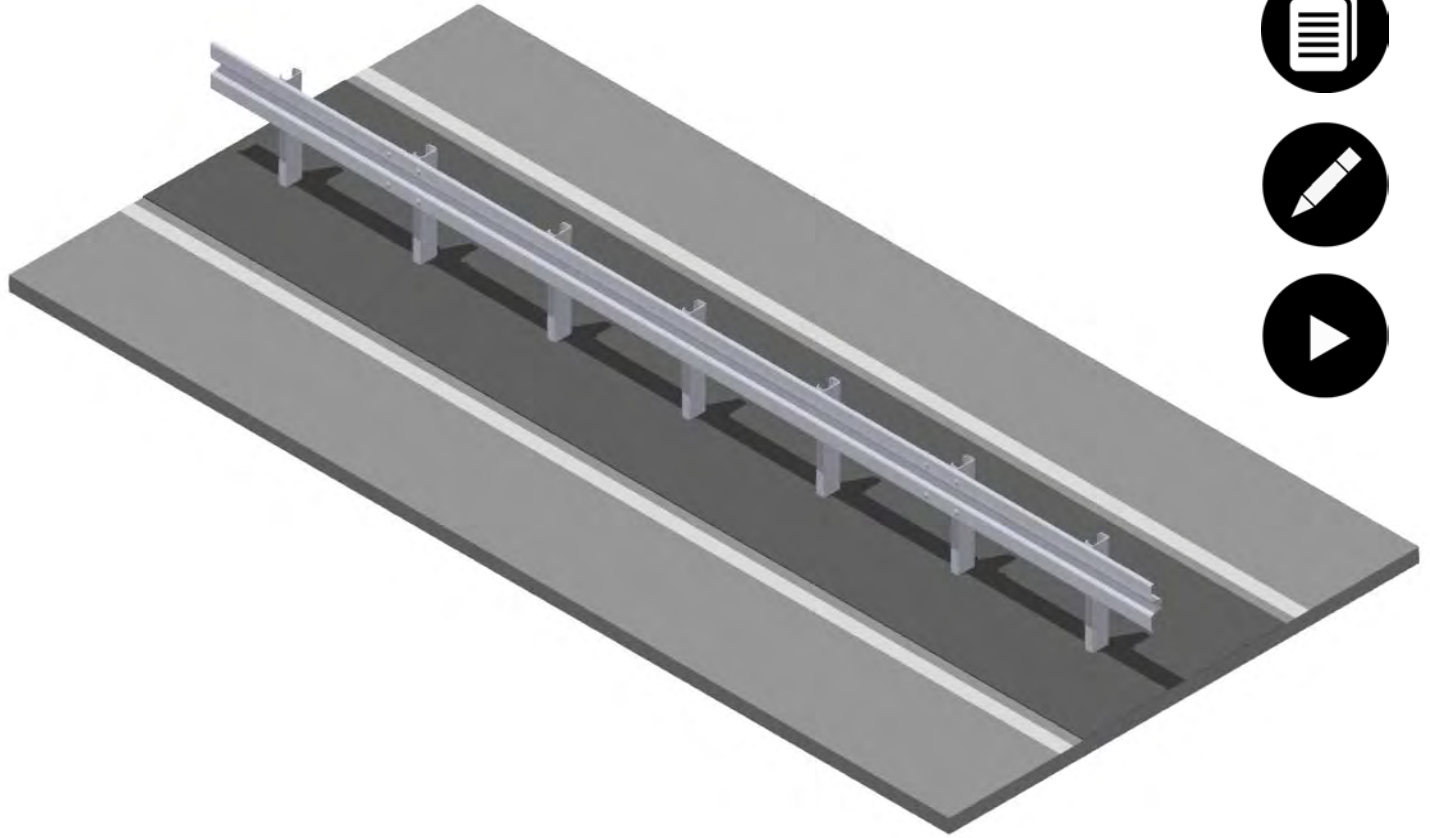
Application	Rammed
Type	Single
Construction width (m)	0,45
Construction height (m)	1,00
Beam shape	A/B
Post shape	C 125
Post distance (m)	2,00
Post length (m)	1,90
Loading capacity (m)	360,00



SUPER-RAIL Eco 1A/ MUF

Steel road guardrail

H2 W4 B



Performances

Containment level	H2
Normalized working width (m)	1,30
Class of normalized working width	W4
Acceleration Severity Index (ASI)	B
Normalized dynamic deflection (m)	1,10
Vehicle Intrusion (VI)	1,4
THIV (Km/h)	27
Tested length (m)	52,00
CE certificate number	0161-CPR-2010

Geometrical characteristics

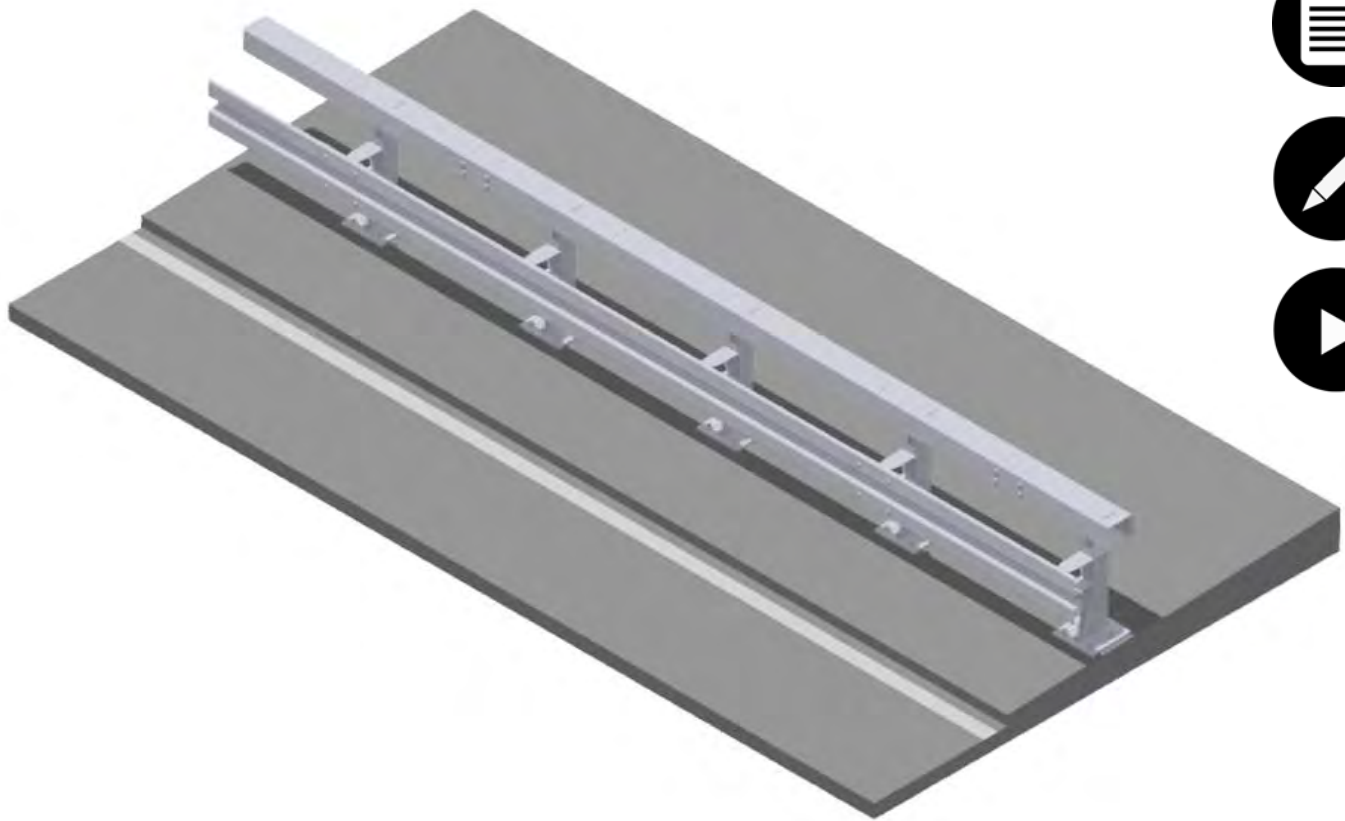
Application	Rammed
Type	Single
Construction width (m)	0,45
Construction height (m)	1,00
Beam shape	A/B
Post shape	C 125
Post distance (m)	2,00
Post length (m)	1,90
Loading capacity (m)	360,00



SUPER-RAIL Eco BW

Steel road guardrail

H2 W4 A



Performances

Containment level	H2
Normalized working width (m)	1,30
Class of normalized working width	W4
Acceleration Severity Index (ASI)	A
Normalized dynamic deflection (m)	0,90
Vehicle Intrusion (VI)	1,4
THIV (Km/h)	29
Tested length (m)	60,00
CE certificate number	0051-CPR-2010

Geometrical characteristics

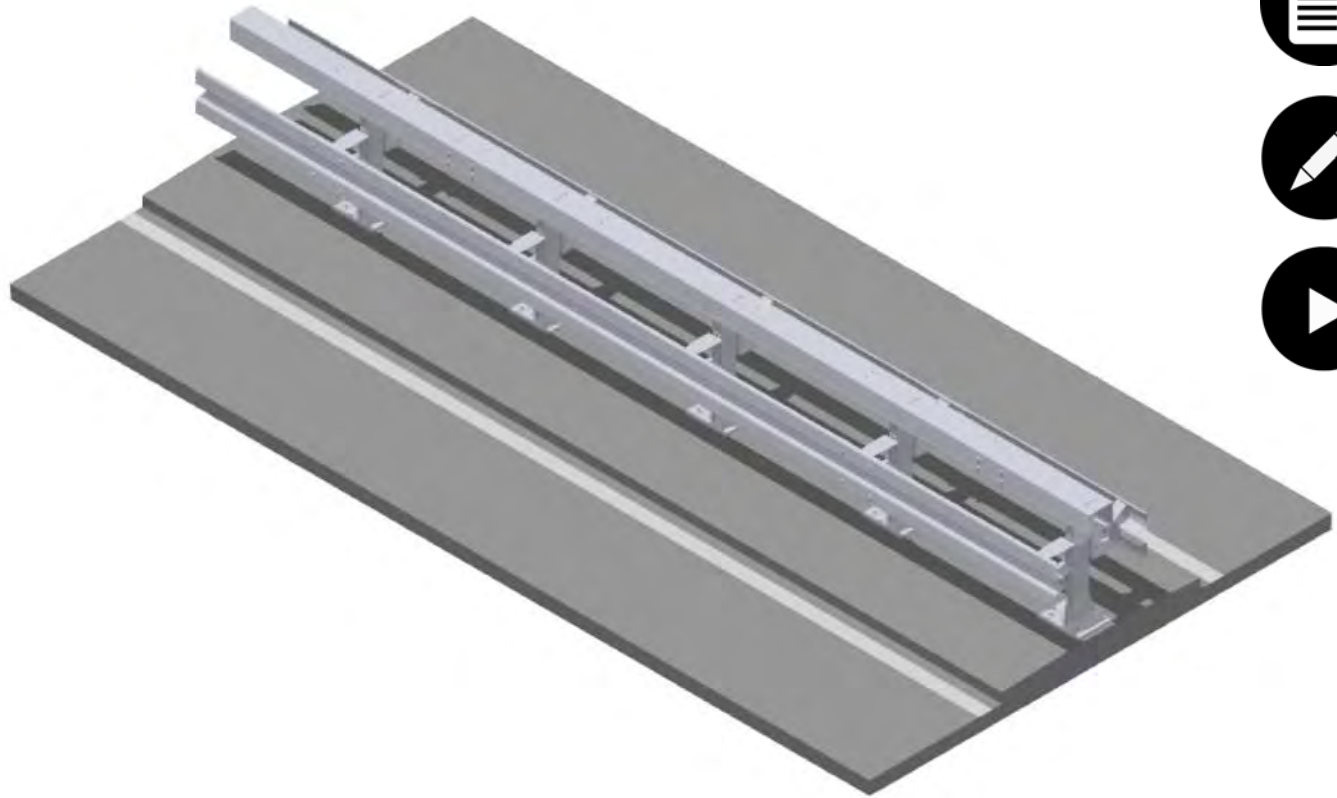
Application	On structures
Type	Single
Construction width (m)	0,45
Construction height (m)	0,90
Beam shape	A/B
Post shape	C125
Post distance (m)	1,33
Post length (m)	0,79
Loading capacity (m)	280,00



SUPER-RAIL Eco double BW

Steel road guardrail

H2 W4 A



Performances

Containment level	H2
Normalized working width (m)	1,30
Class of normalized working width	W4
Acceleration Severity Index (ASI)	A
Normalized dynamic deflection (m)	0,90
Vehicle Intrusion (VI)	1,4
THIV (Km/h)	29
Tested length (m)	60,00
CE certificate number	0051-CPR-2010

Geometrical characteristics

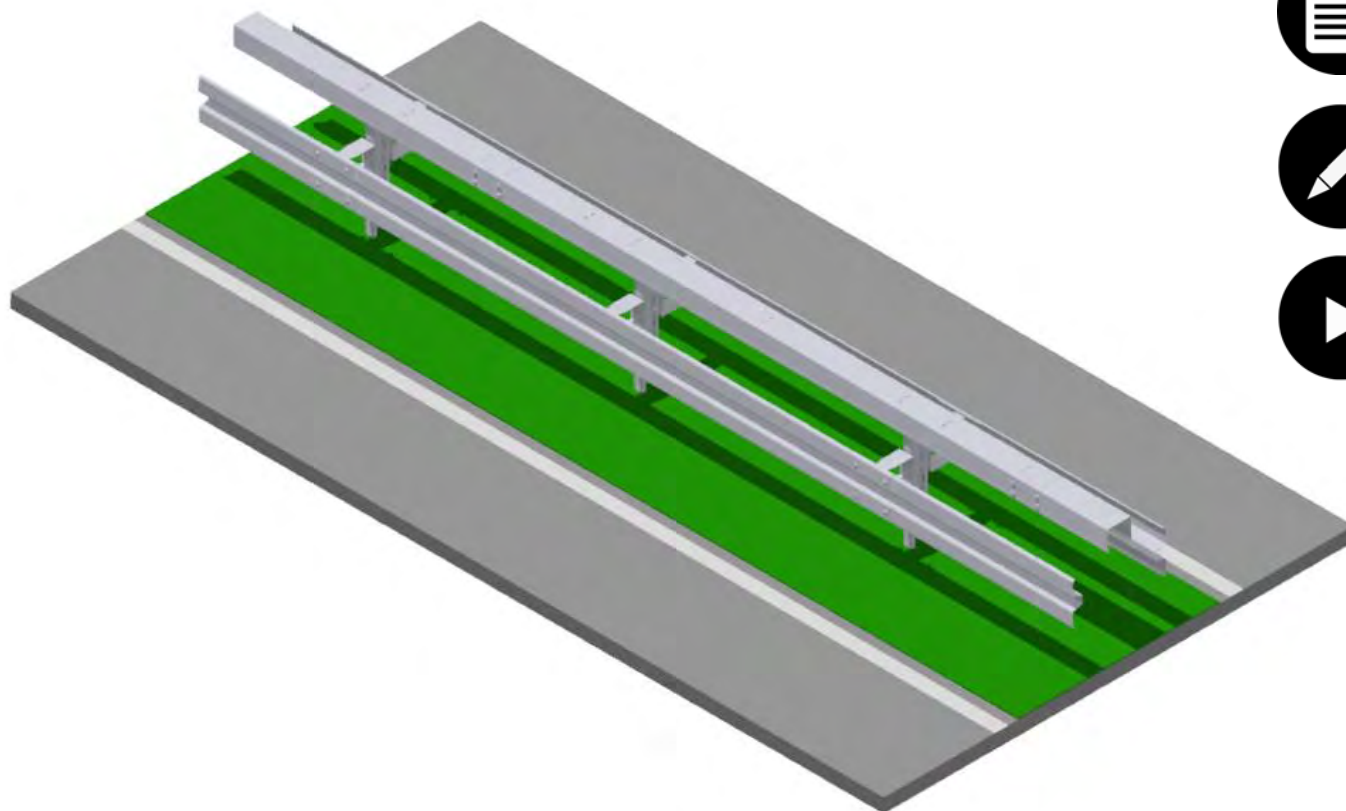
Application	On structures
Type	Double
Construction width (m)	-
Construction height (m)	1,15
Beam shape	A/B
Post shape	C125
Post distance (m)	1,33
Post length (m)	0,79
Loading capacity (m)	-



SUPER-RAIL Eco double

Steel road guardrail

N2 W3 B



Performances

Containment level	N2
Normalized working width (m)	1,20
Class of normalized working width	W3
Acceleration Severity Index (ASI)	B
Normalized dynamic deflection (m)	0,70
Vehicle Intrusion (VI)	1,4
THIV (Km/h)	29
Tested length (m)	52,00
CE certificate number	0049-CPR-2010

Geometrical characteristics

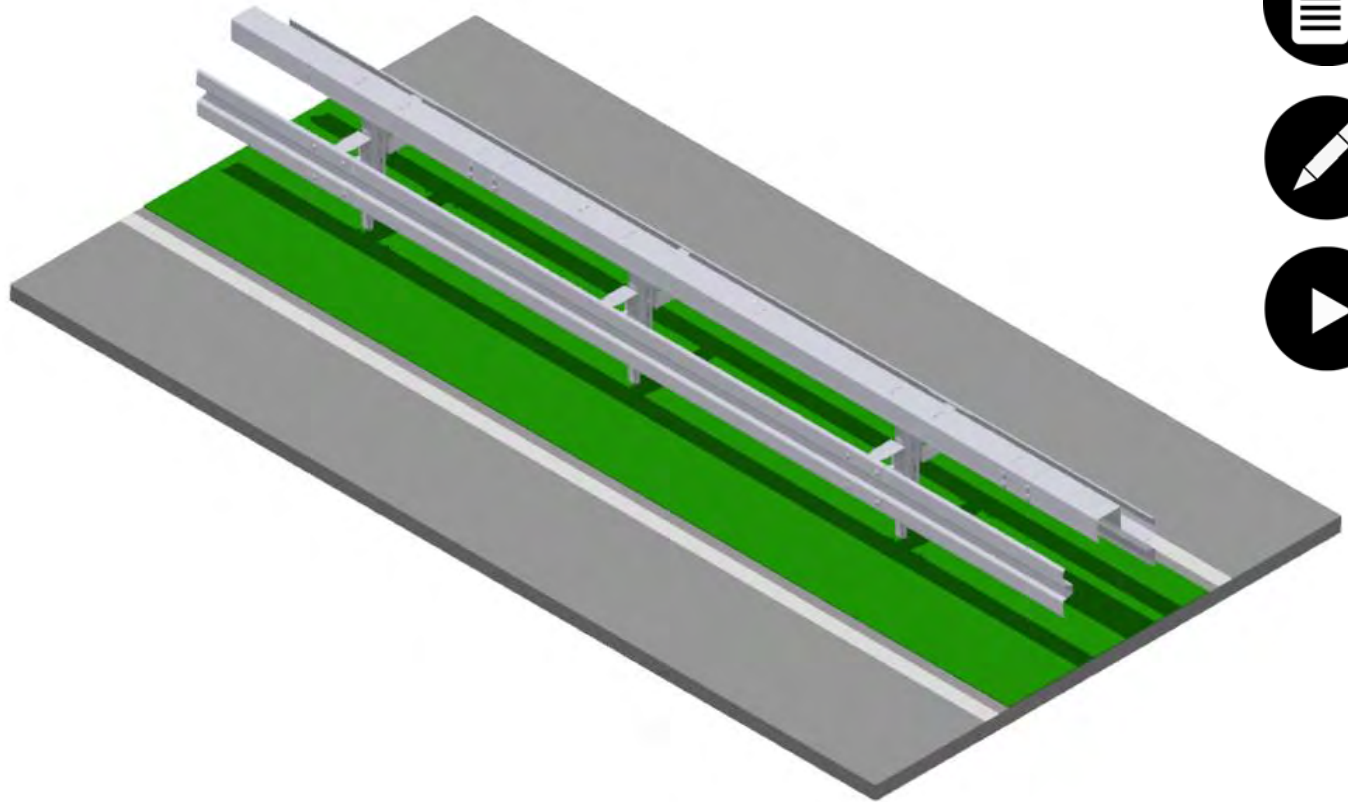
Application	Rammed
Type	Double
Construction width (m)	0,7
Construction height (m)	0,90
Beam shape	A/B
Post shape	C 125
Post distance (m)	2,00
Post length (m)	1,90
Loading capacity (m)	280,00



SUPER-RAIL Eco double

Steel road guardrail

H2 W4 B



Performances

Containment level	H2
Normalized working width (m)	1,20
Class of normalized working width	W4
Acceleration Severity Index (ASI)	B
Normalized dynamic deflection (m)	0,70
Vehicle Intrusion (VI)	1,4
THIV (Km/h)	29
Tested length (m)	52,00
CE certificate number	0049-CPR-2010

Geometrical characteristics

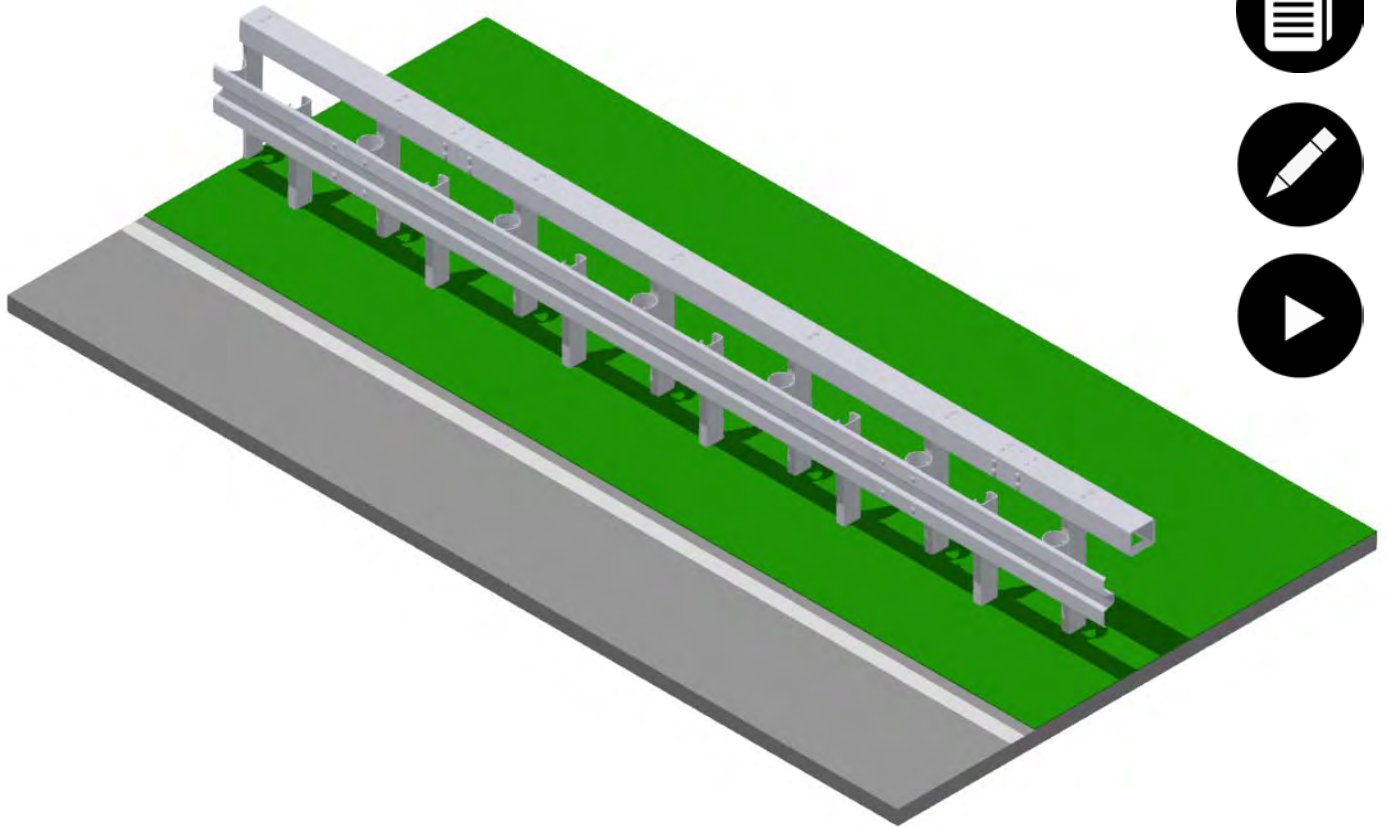
Application	Rammed
Type	Double
Construction width (m)	0,7
Construction height (m)	0,90
Beam shape	A/B
Post shape	C 125
Post distance (m)	2,00
Post length (m)	1,90
Loading capacity (m)	280,00



SUPER-RAIL Eco HS

Steel road guardrail

H2 W2 B



Performances

Containment level	H2
Normalized working width (m)	0,80
Class of normalized working width	W2
Acceleration Severity Index (ASI)	B
Normalized dynamic deflection (m)	0,60
Vehicle Intrusion (VI)	0,8
THIV (Km/h)	33
Tested length (m)	36,00
CE certificate number	0531-CPR-1317-2009

Geometrical characteristics

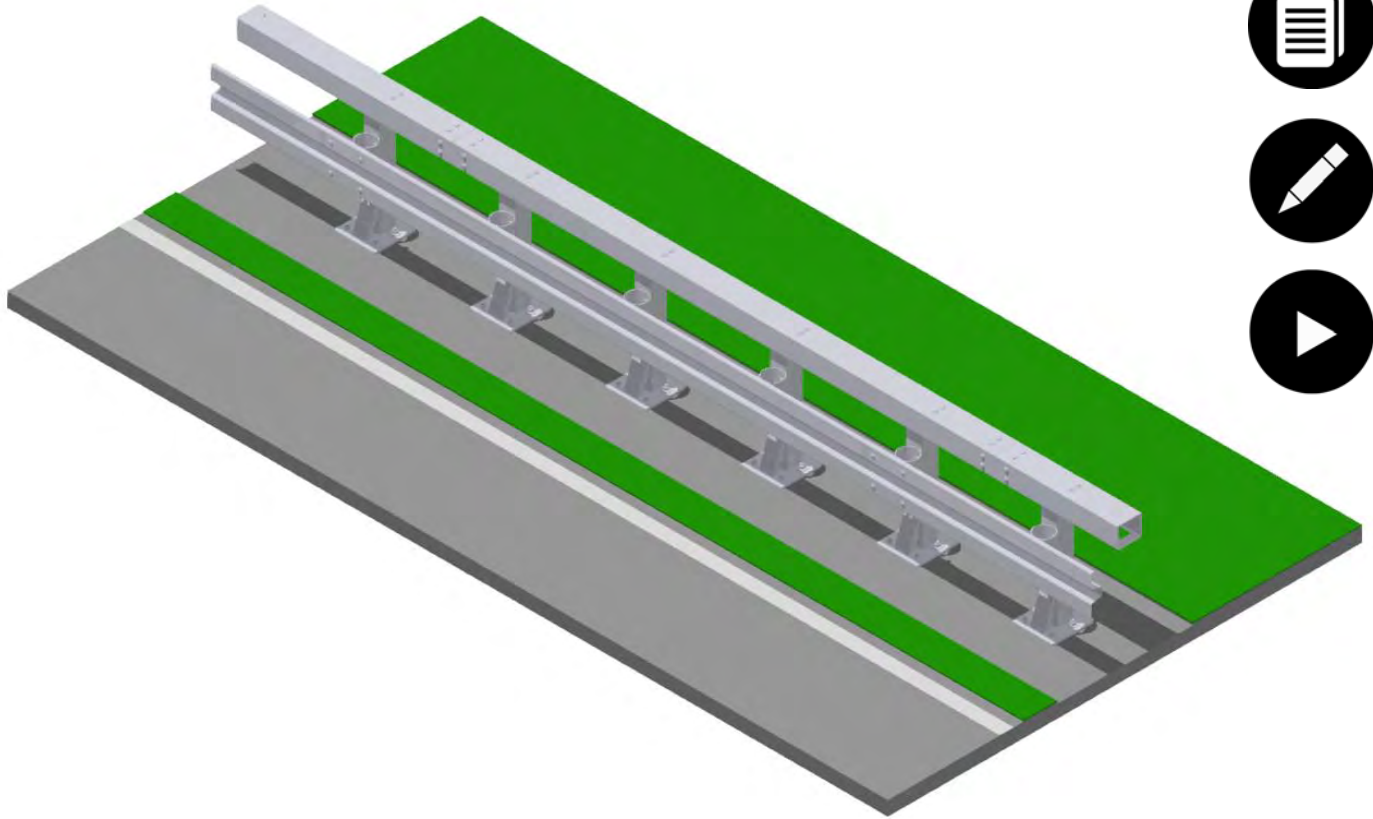
Application	Rammed
Type	Single
Construction width (m)	0,372
Construction height (m)	0,90
Beam shape	A/B
Post shape	C 125
Post distance (m)	0,50
Post length (m)	1,90 1,75
Loading capacity (m)	-



SUPER-RAIL Eco HS BW

Steel road guardrail

H2 W1 B



Performances

Containment level	H2
Normalized working width (m)	0,50
Class of normalized working width	W1
Acceleration Severity Index (ASI)	B
Normalized dynamic deflection (m)	0,40
Vehicle Intrusion (VI)	0,7
THIV (Km/h)	33
Tested length (m)	36,00
CE certificate number	0531-CPR-1317-2008

Geometrical characteristics

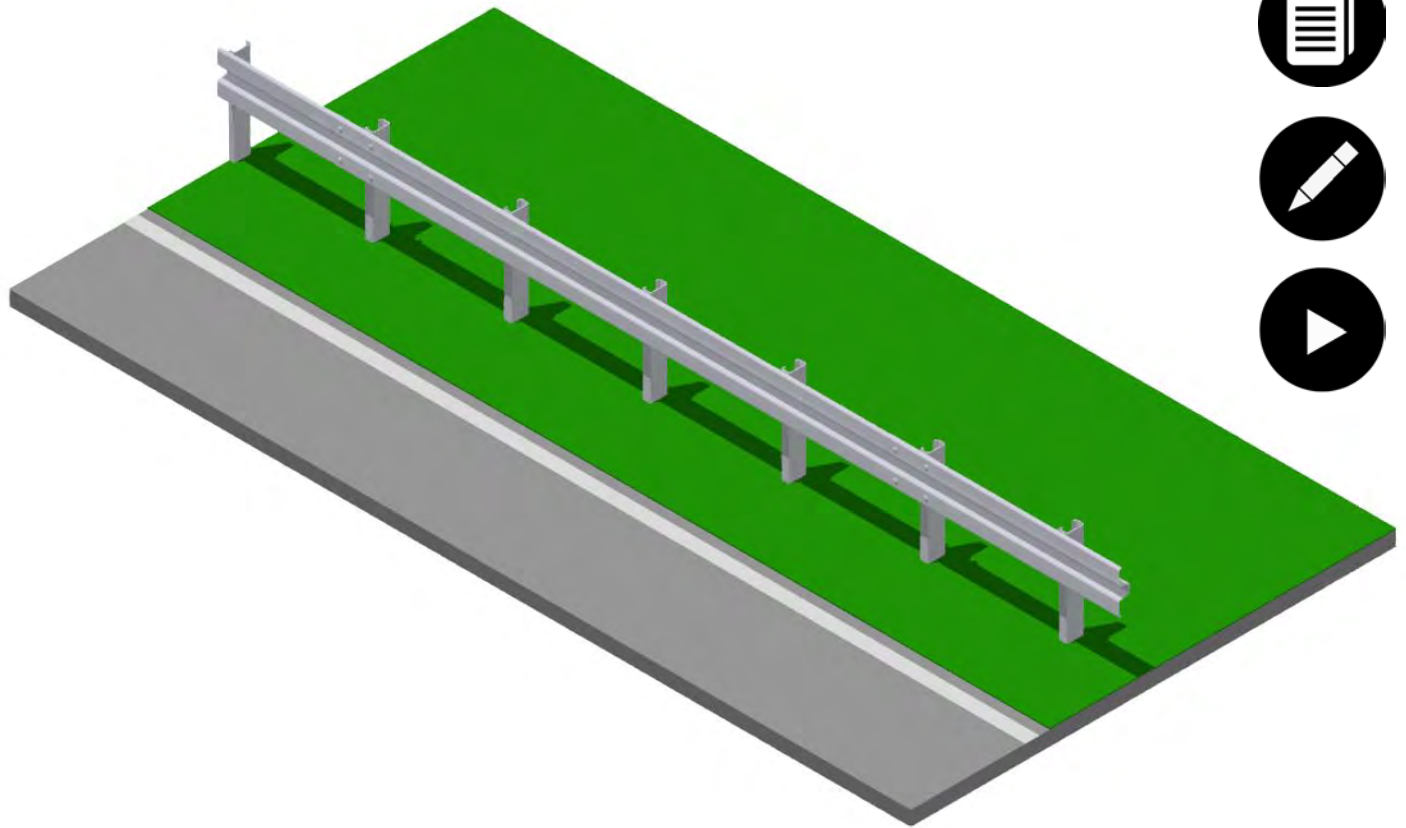
Application	On structures
Type	Single
Construction width (m)	0,375
Construction height (m)	0,90
Beam shape	A/B
Post shape	C125
Post distance (m)	0,50
Post length (m)	var.
Loading capacity (m)	-



SUPER-RAIL ES 1.0

Steel road guardrail

N2 W2 A



Performances

Containment level	N2
Normalized working width (m)	0,70
Class of normalized working width	W2
Acceleration Severity Index (ASI)	A
Normalized dynamic deflection (m)	0,50
Vehicle Intrusion (VI)	-
THIV (Km/h)	28
Tested length (m)	40,00
CE certificate number	0051-CPR-2011

Geometrical characteristics

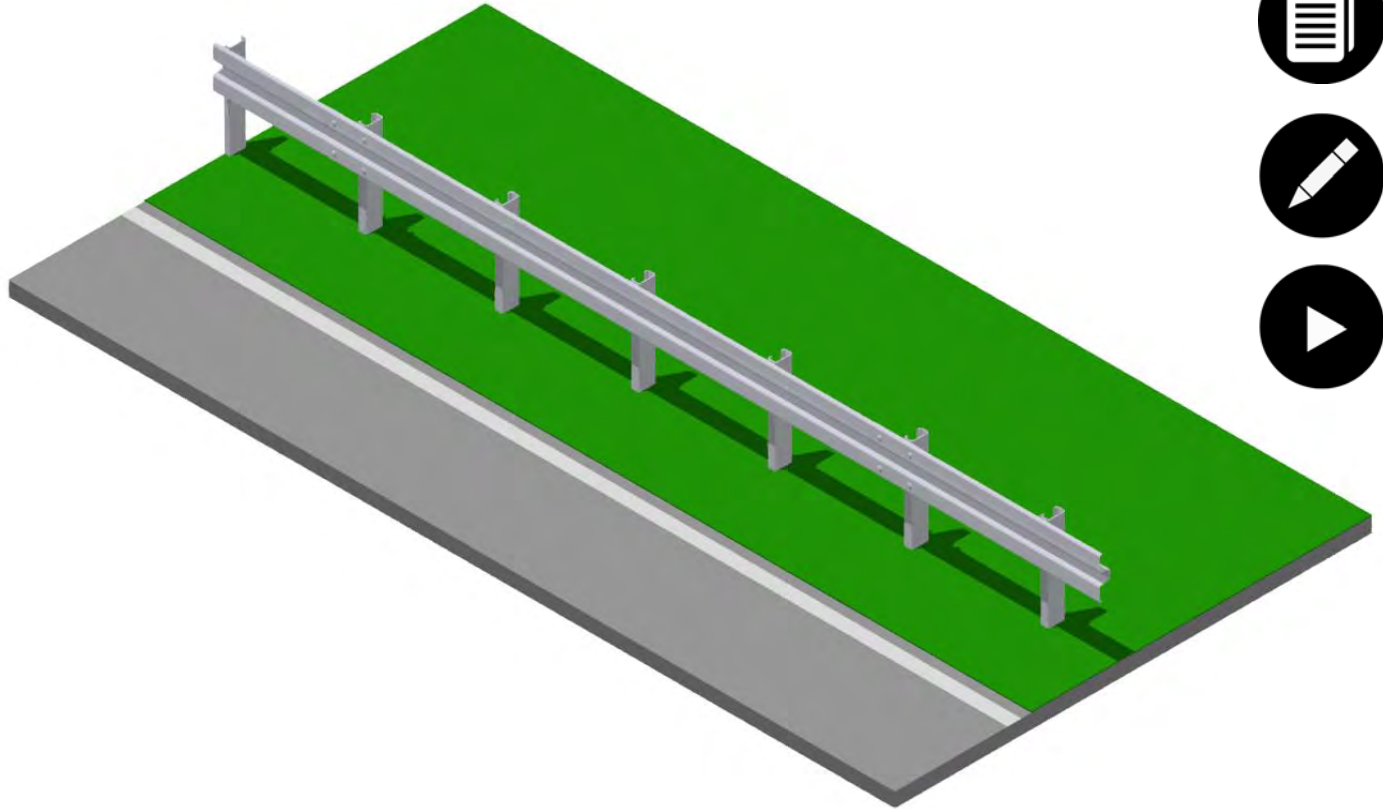
Application	Rammed
Type	Single
Construction width (m)	0,22
Construction height (m)	0,75
Beam shape	A/B
Post shape	C 125
Post distance (m)	1,00
Post length (m)	1,75
Loading capacity (m)	772,00



SUPER-RAIL ES 1.0

Steel road guardrail

H1 W2 A



Performances

Containment level	H1
Normalized working width (m)	0,80
Class of normalized working width	W2
Acceleration Severity Index (ASI)	A
Normalized dynamic deflection (m)	0,70
Vehicle Intrusion (VI)	1,4
THIV (Km/h)	28
Tested length (m)	40,00
CE certificate number	0052-CPR-2011

Geometrical characteristics

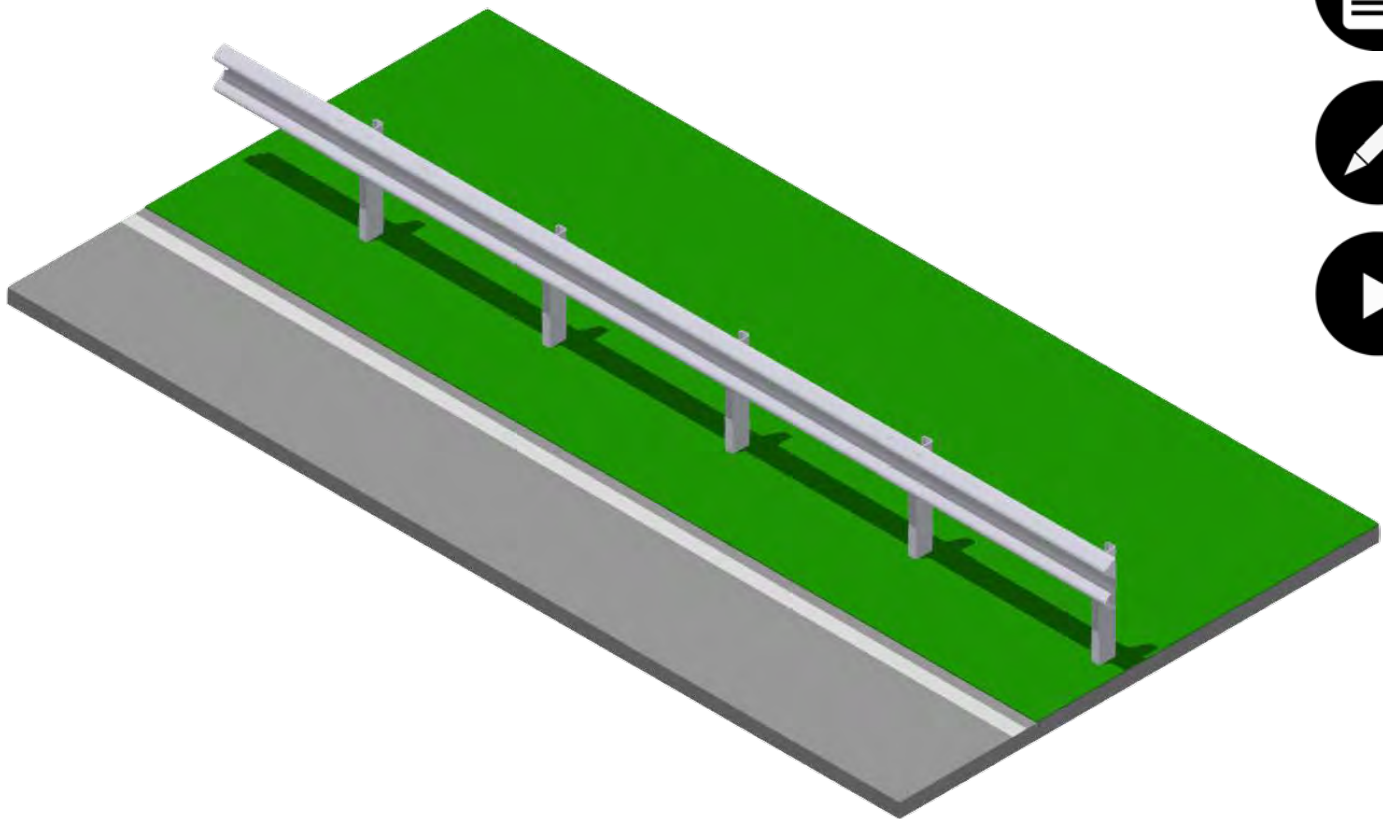
Application	Rammed
Type	Single
Construction width (m)	0,22
Construction height (m)	0,75
Beam shape	A/B
Post shape	C 125
Post distance (m)	1,00
Post length (m)	1,75
Loading capacity (m)	-



SUPER-RAIL ES 1.33

Steel road guardrail

N2 W2 A



Performances

Containment level	N2
Normalized working width (m)	0,80
Class of normalized working width	W2
Acceleration Severity Index (ASI)	A
Normalized dynamic deflection (m)	0,70
Vehicle Intrusion (VI)	1,3
THIV (Km/h)	29
Tested length (m)	60,00
CE certificate number	0084-CPR-2011

Geometrical characteristics

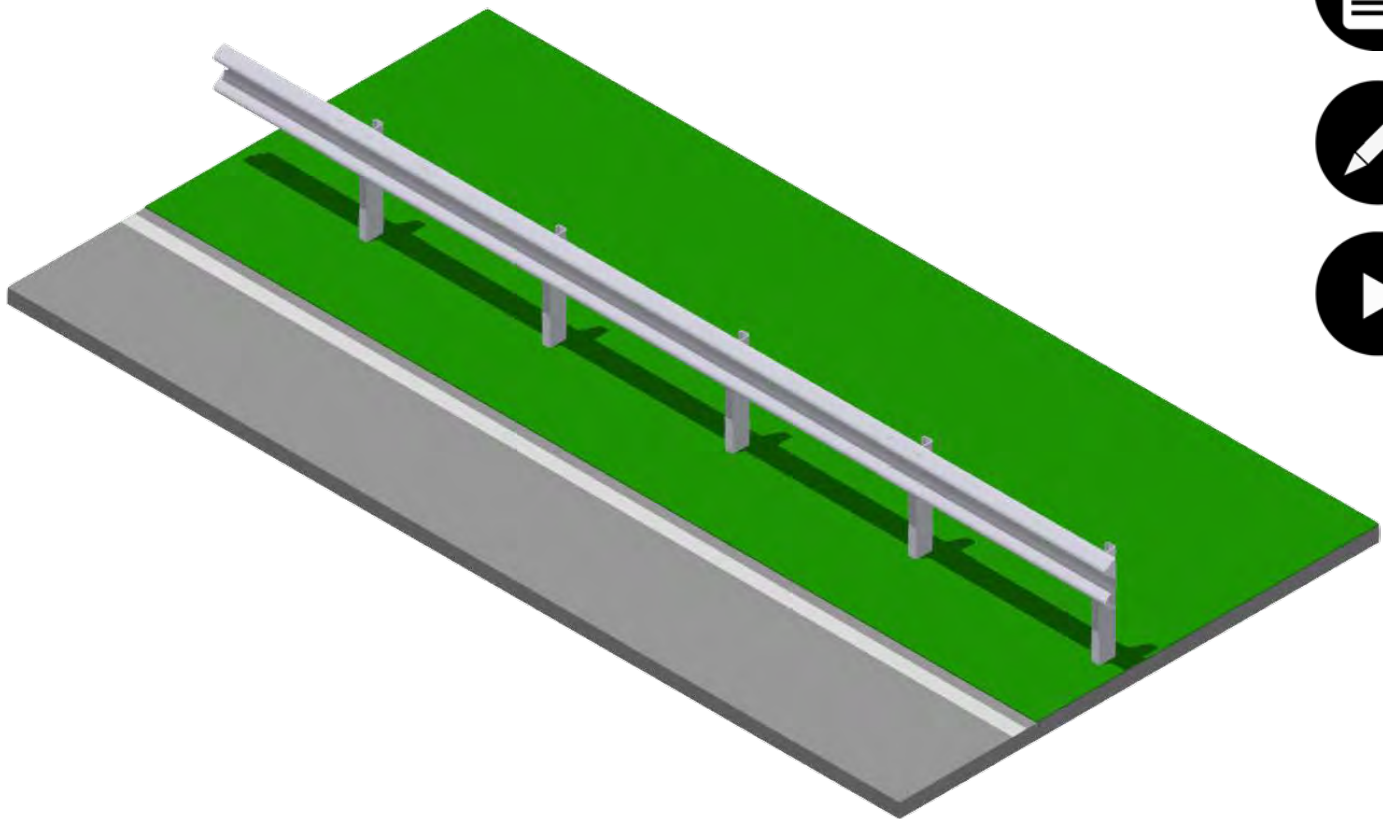
Application	Rammed
Type	Single
Construction width (m)	0,22
Construction height (m)	0,75
Beam shape	A/B
Post shape	C 125
Post distance (m)	1,33
Post length (m)	1,75
Loading capacity (m)	888,00



SUPER-RAIL ES 1.33

Steel road guardrail

H1 W4 A



Performances

Containment level	H1
Normalized working width (m)	1,10
Class of normalized working width	W4
Acceleration Severity Index (ASI)	A
Normalized dynamic deflection (m)	1,00
Vehicle Intrusion (VI)	1,3
THIV (Km/h)	29
Tested length (m)	60,00
CE certificate number	0084-CPR-2011

Geometrical characteristics

Application	Rammed
Type	Single
Construction width (m)	0,22
Construction height (m)	0,75
Beam shape	A/B
Post shape	C 125
Post distance (m)	1,33
Post length (m)	1,75
Loading capacity (m)	-



SUPER-RAIL Plus BW twofold

Steel road guardrail

H4b W6 B



Performances

Containment level	H4b
Normalized working width (m)	?
Class of normalized working width	W6
Acceleration Severity Index (ASI)	B
Normalized dynamic deflection (m)	?
Vehicle Intrusion (VI)	-
THIV (Km/h)	-
Tested length (m)	80,00
CE certificate number	0130-CPR-2010

Geometrical characteristics

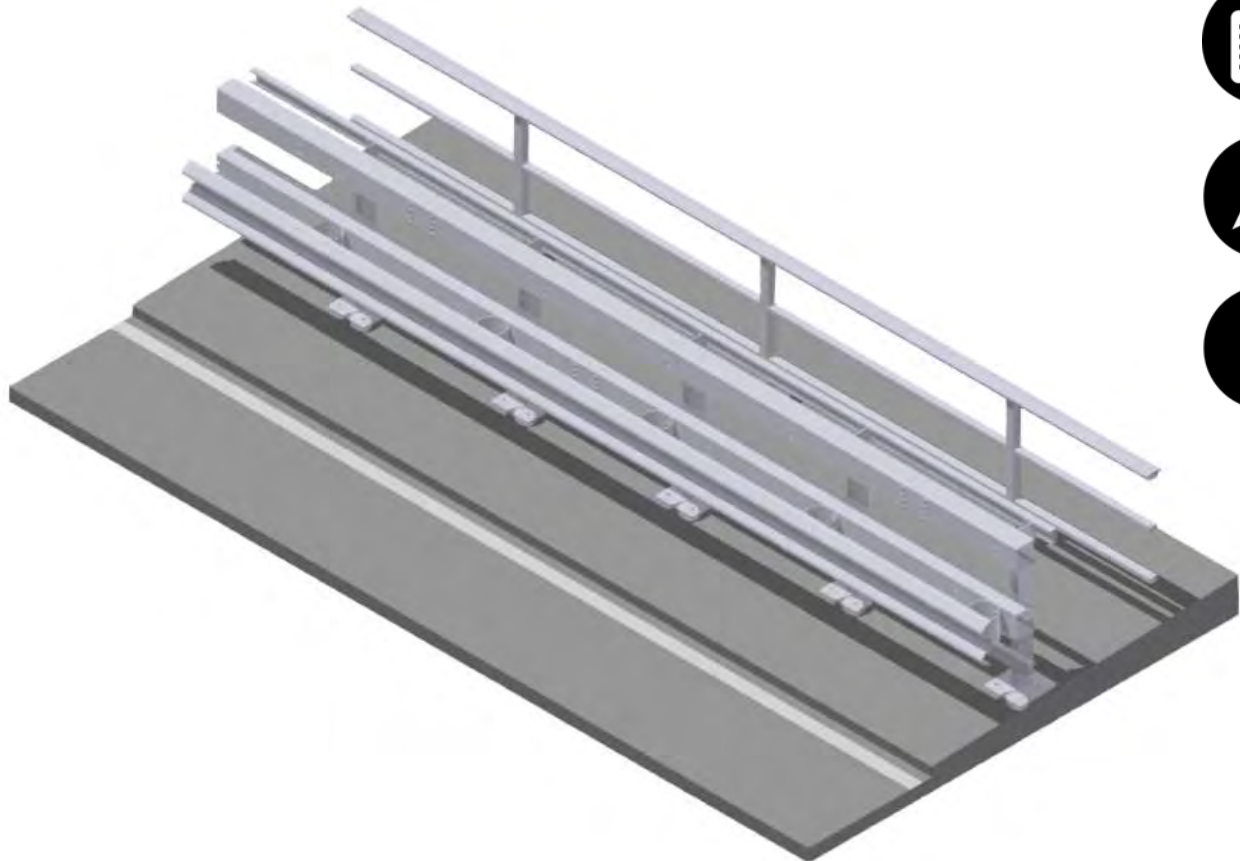
Application	On structures
Type	Single
Construction width (m)	-
Construction height (m)	-
Beam shape	-
Post shape	-
Post distance (m)	-
Post length (m)	-
Loading capacity (m)	-



SUPER-RAIL Plus BW with rail

Steel road guardrail

H4b W6 B



Performances

Containment level	H4b
Normalized working width (m)	2,10
Class of normalized working width	W6
Acceleration Severity Index (ASI)	B
Normalized dynamic deflection (m)	1,20
Vehicle Intrusion (VI)	-
THIV (Km/h)	-
Tested length (m)	80,00
CE certificate number	0130-CPR-2010

Geometrical characteristics

Application	On structures
Type	Single
Construction width (m)	0,61
Construction height (m)	1,25
Beam shape	A/B
Post shape	-
Post distance (m)	1,33
Post length (m)	1,25
Loading capacity (m)	160,00



SUPER-RAIL Pro BW

Steel road guardrail

H4b W2 B



Performances

Containment level	H4b
Normalized working width (m)	0,70
Class of normalized working width	W2
Acceleration Severity Index (ASI)	B
Normalized dynamic deflection (m)	0,30
Vehicle Intrusion (VI)	1,7
THIV (Km/h)	33
Tested length (m)	72,00
CE certificate number	0531-CPR-1317-1888

Geometrical characteristics

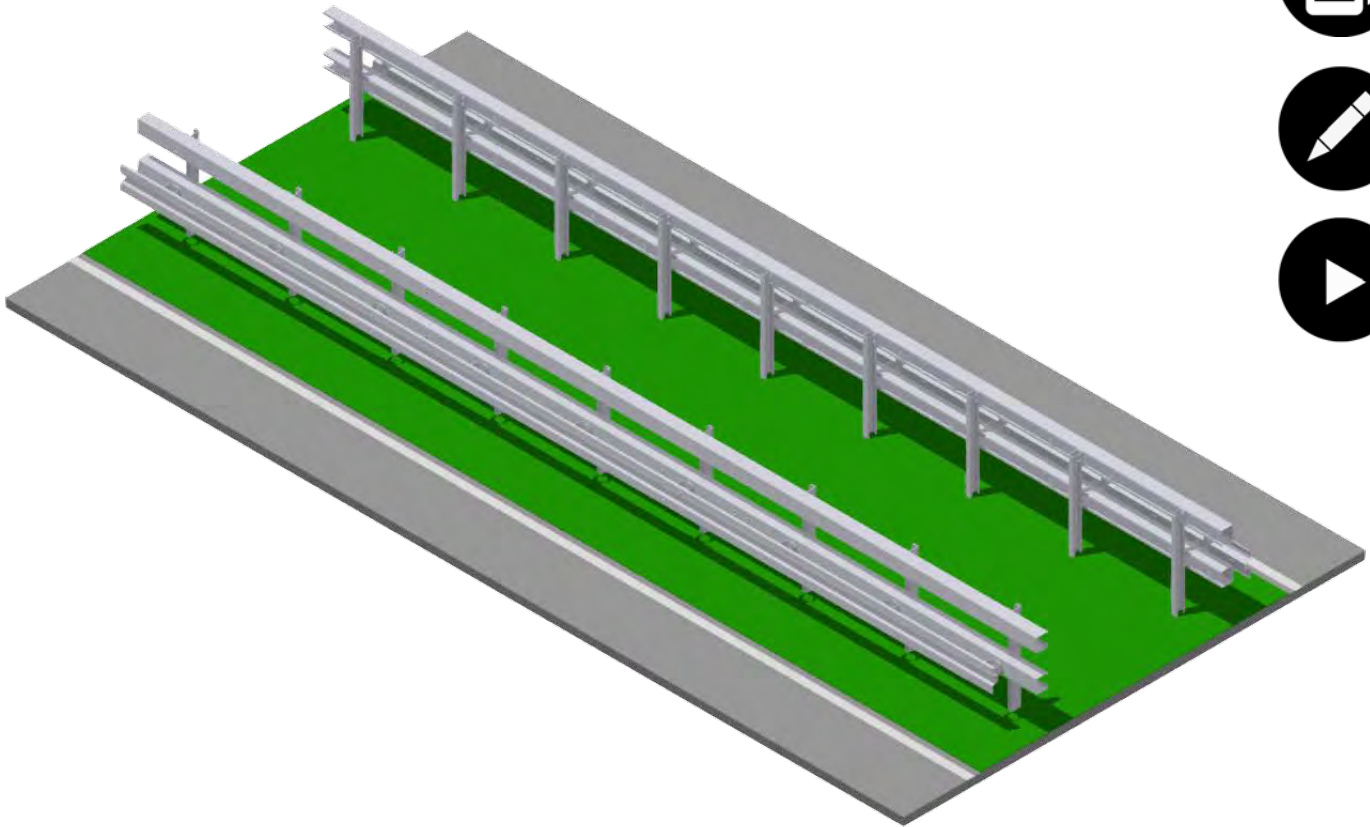
Application	On structures
Type	Single
Construction width (m)	0,323
Construction height (m)	1,30
Beam shape	A/B
Post shape	C125
Post distance (m)	1,33
Post length (m)	1,30
Loading capacity (m)	-



SUPER-RAIL twofold

Steel road guardrail

H4b W7 A



Performances

Containment level	H4b
Normalized working width (m)	2,30
Class of normalized working width	W7
Acceleration Severity Index (ASI)	A
Normalized dynamic deflection (m)	2,00
Vehicle Intrusion (VI)	2,5
THIV (Km/h)	32
Tested length (m)	76,00
CE certificate number	0138-CPR-2010

Geometrical characteristics

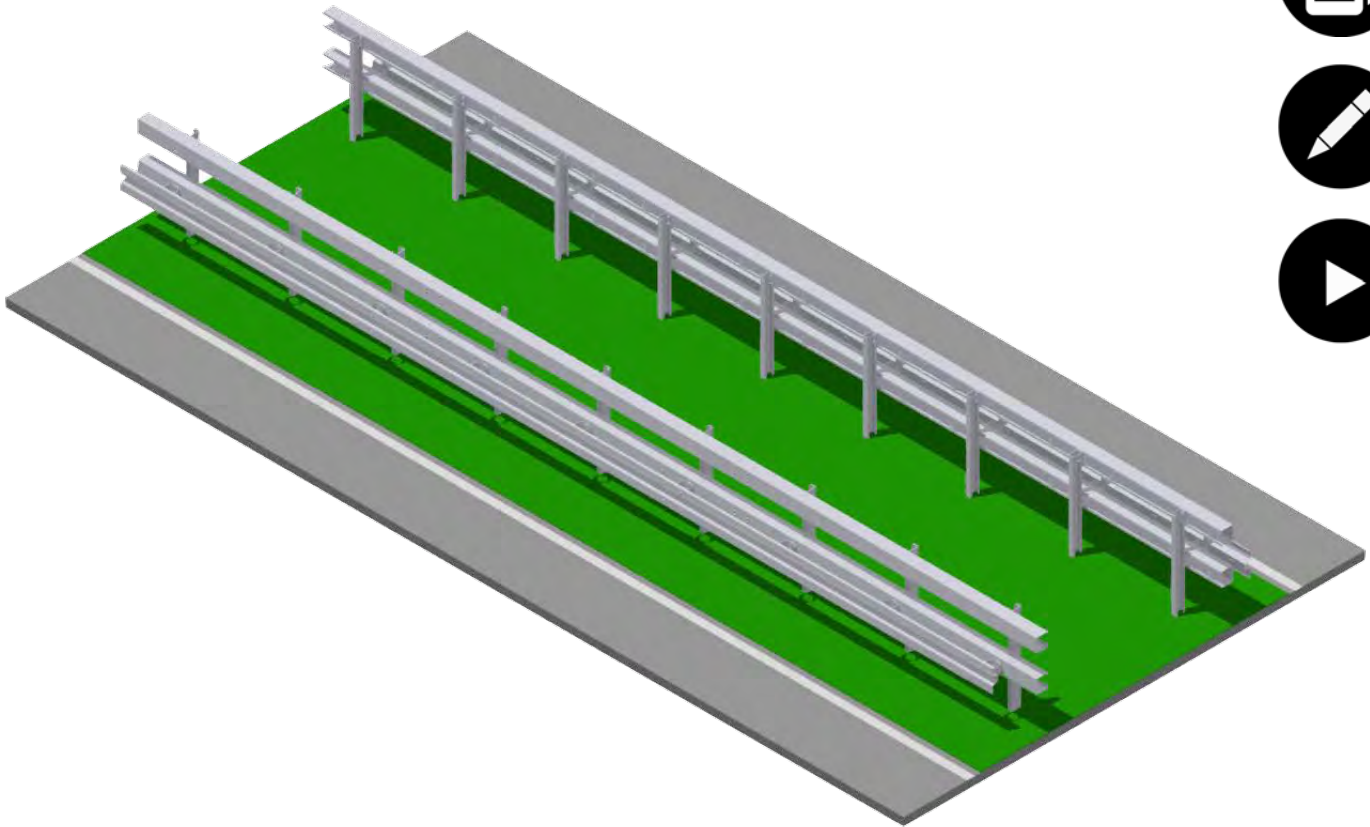
Application	Rammed
Type	Double
Construction width (m)	3,40
Construction height (m)	1,15
Beam shape	A/B
Post shape	C 125
Post distance (m)	1,33
Post length (m)	2,40
Loading capacity (m)	-



SUPER-RAIL twofold

Steel road guardrail

H2 W4 A



Performances

Containment level	H2
Normalized working width (m)	1,30
Class of normalized working width	W4
Acceleration Severity Index (ASI)	A
Normalized dynamic deflection (m)	0,80
Vehicle Intrusion (VI)	1,3
THIV (Km/h)	32
Tested length (m)	40,00
CE certificate number	0138-CPR-2010

Geometrical characteristics

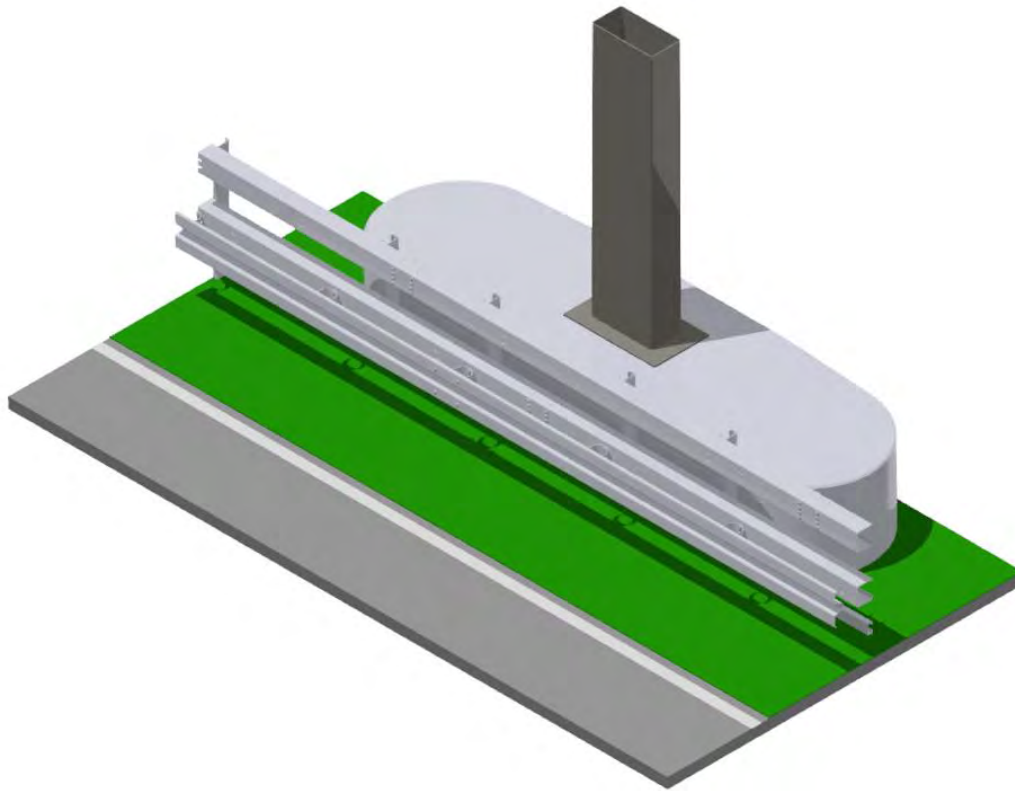
Application	Rammed
Type	Double
Construction width (m)	3,4
Construction height (m)	1,15
Beam shape	A/B
Post shape	C 125
Post distance (m)	1,33
Post length (m)	2,40
Loading capacity (m)	-



SUPER-RAIL VZB

Steel road guardrail

H2 W3 B



Performances

Containment level	H2
Normalized working width (m)	0,90
Class of normalized working width	W3
Acceleration Severity Index (ASI)	B
Normalized dynamic deflection (m)	0,50
Vehicle Intrusion (VI)	0,9
THIV (Km/h)	33
Tested length (m)	28,00
CE certificate number	0111-CPR-2010

Geometrical characteristics

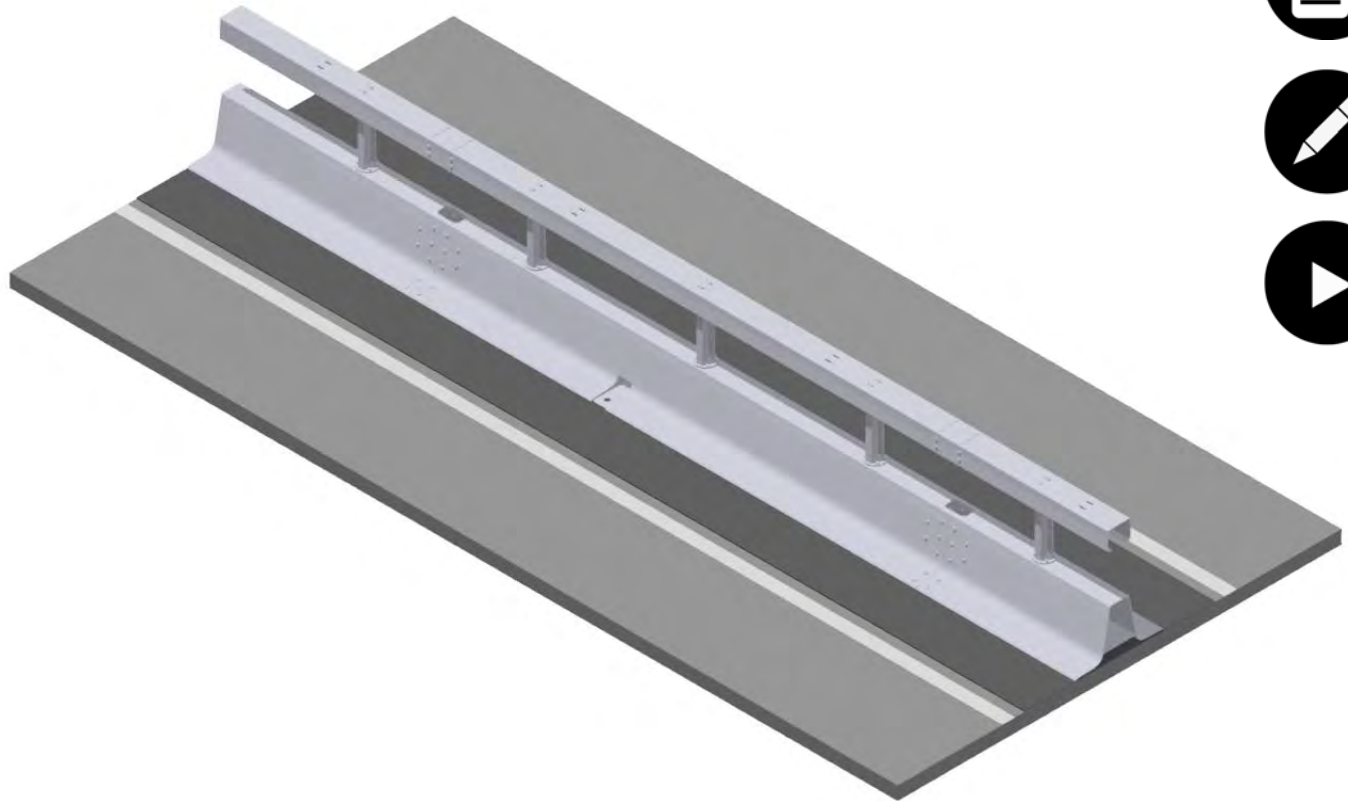
Application	Rammed
Type	Single
Construction width (m)	0,5
Construction height (m)	1,15
Beam shape	A/B
Post shape	C125
Post distance (m)	-
Post length (m)	2,40
Loading capacity (m)	-



VARIO-GUARD

Steel road guardrail

T3 W4 B



Performances

Containment level	T3
Normalized working width (m)	-
Class of normalized working width	W4
Acceleration Severity Index (ASI)	B
Normalized dynamic deflection (m)	-
Vehicle Intrusion (VI)	-
THIV (Km/h)	-
Tested length (m)	-
CE certificate number	-

Geometrical characteristics

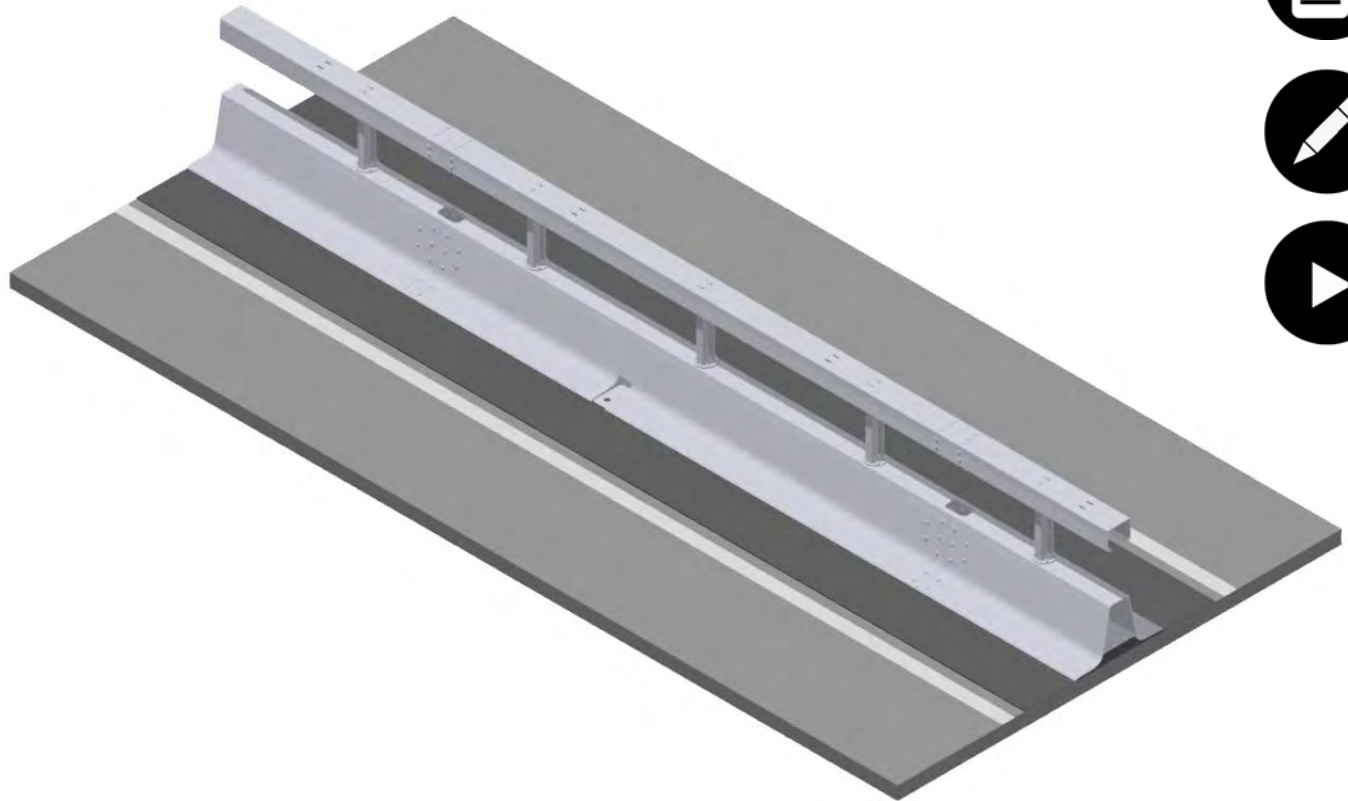
Application	Temporary system
Type	Double
Construction width (m)	0,7
Construction height (m)	0,90
Beam shape	-
Post shape	-
Post distance (m)	-
Post length (m)	-
Loading capacity (m)	112,00



VARIO-GUARD

Steel road guardrail

N2 W6 B



Performances

Containment level	N2
Normalized working width (m)	-
Class of normalized working width	W6
Acceleration Severity Index (ASI)	B
Normalized dynamic deflection (m)	-
Vehicle Intrusion (VI)	-
THIV (Km/h)	-
Tested length (m)	-
CE certificate number	-

Geometrical characteristics

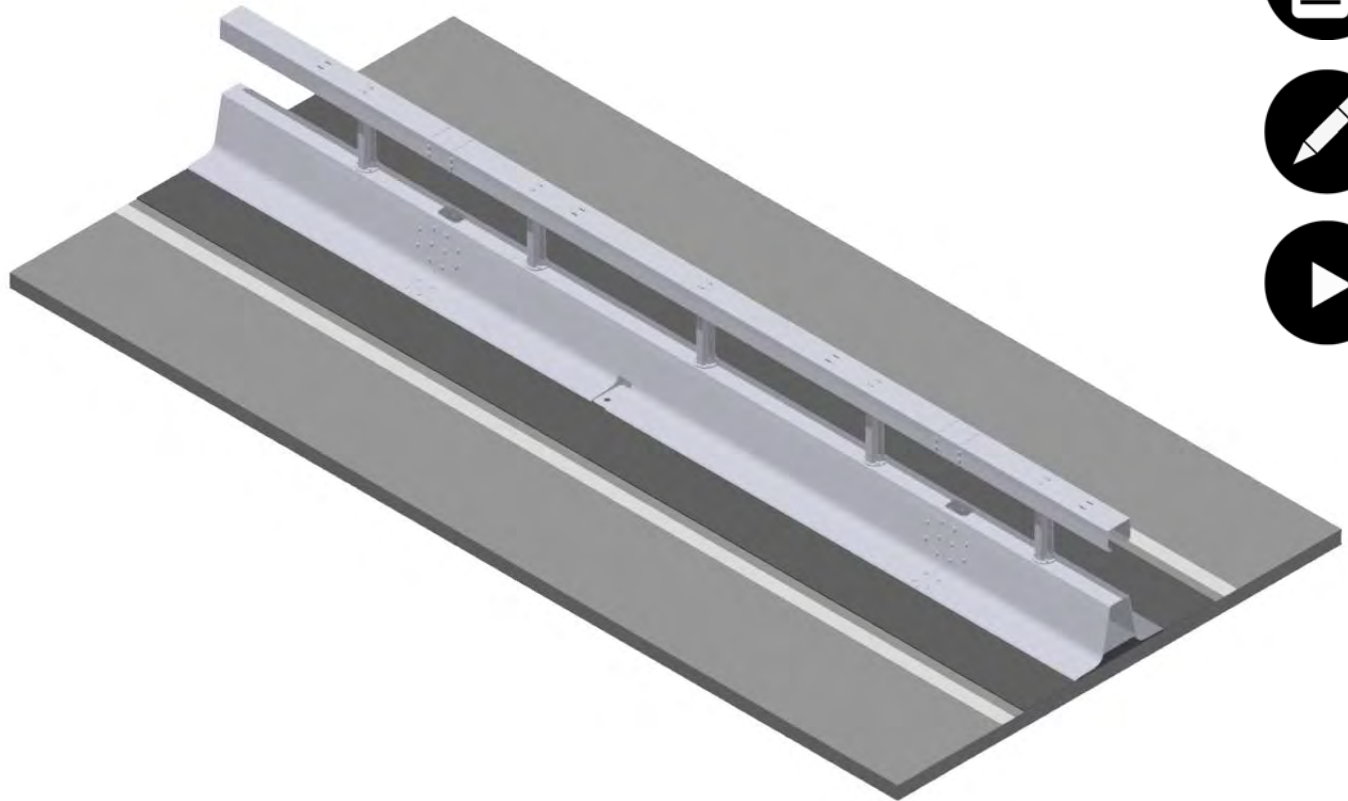
Application	Temporary system
Type	Double
Construction width (m)	0,7
Construction height (m)	0,90
Beam shape	-
Post shape	-
Post distance (m)	-
Post length (m)	-
Loading capacity (m)	112,00



VARIO-GUARD

Steel road guardrail

H1 W6 B



Performances

Containment level	H1
Normalized working width (m)	2,09
Class of normalized working width	W6
Acceleration Severity Index (ASI)	B
Normalized dynamic deflection (m)	1,40
Vehicle Intrusion (VI)	VI5
THIV (Km/h)	23,44
Tested length (m)	156,00
CE certificate number	0194-CPR-2010

Geometrical characteristics

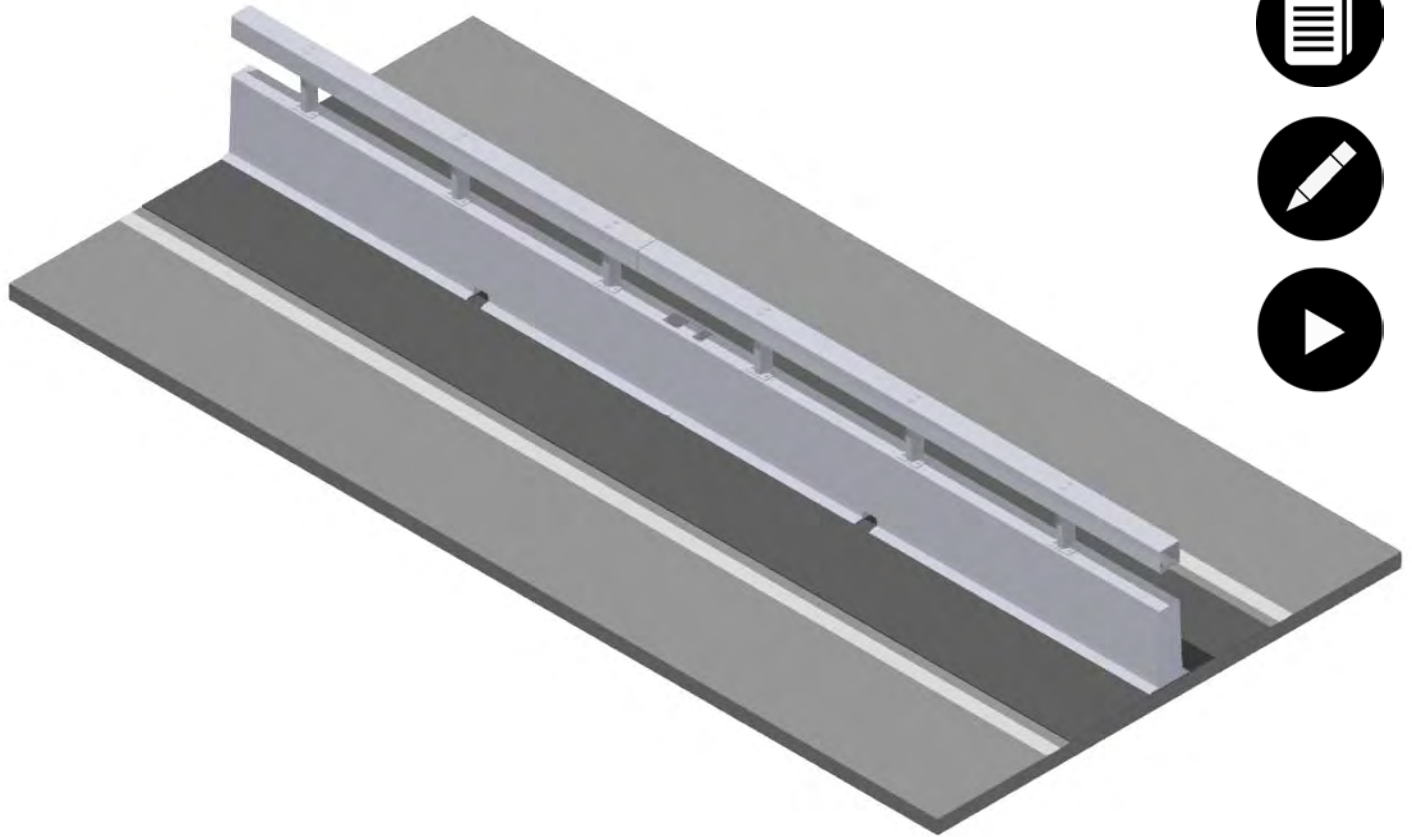
Application	Temporary system
Type	Double
Construction width (m)	0,7
Construction height (m)	0,90
Beam shape	-
Post shape	-
Post distance (m)	-
Post length (m)	-
Loading capacity (m)	112,00



VARIO-GUARD 2.0

Steel road guardrail

H2 W6 B



Performances

Containment level	H2
Normalized working width (m)	2,10
Class of normalized working width	W6
Acceleration Severity Index (ASI)	B
Normalized dynamic deflection (m)	2,00
Vehicle Intrusion (VI)	2
THIV (Km/h)	25
Tested length (m)	131,10
CE certificate number	0531-CPR-1317-2743

Geometrical characteristics

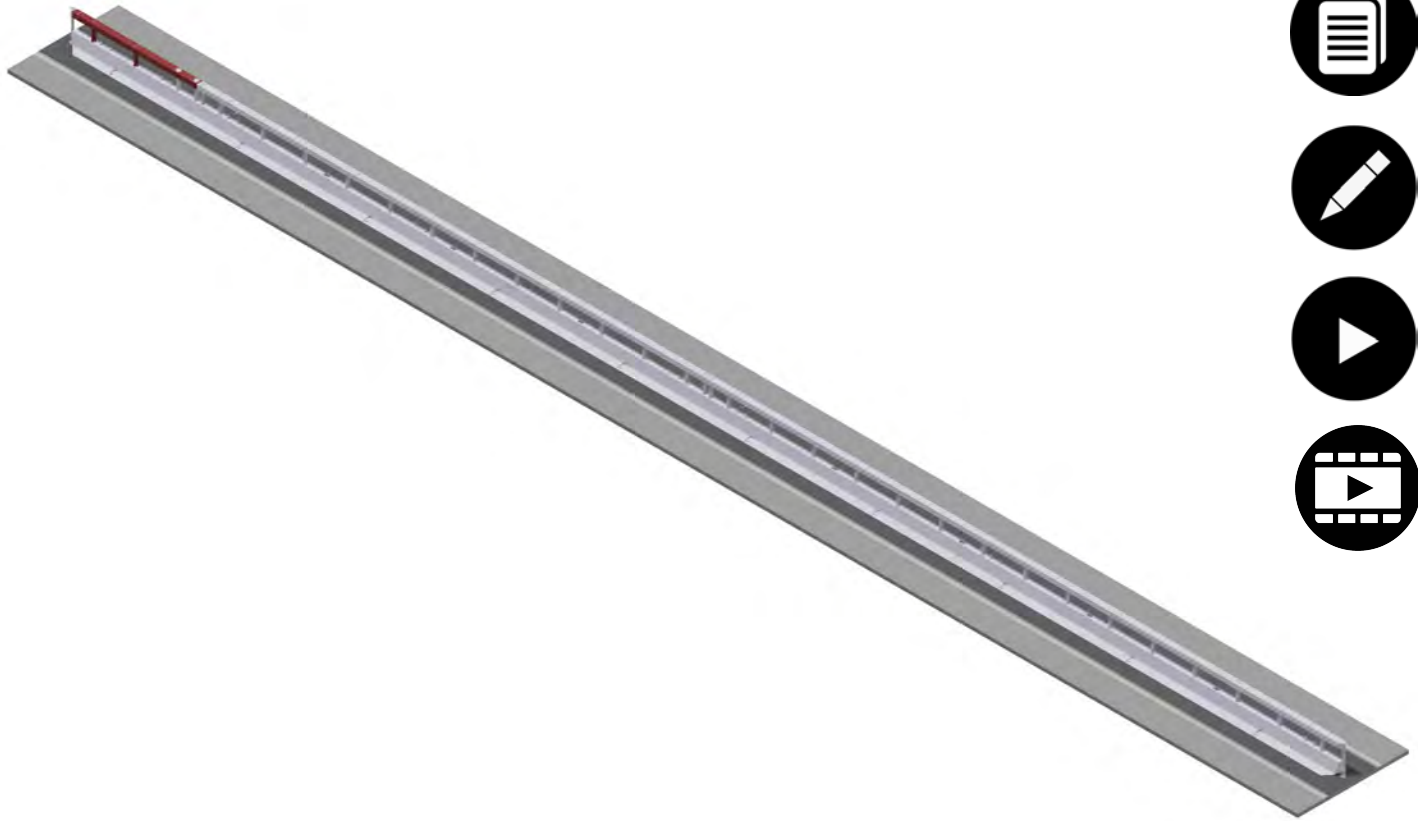
Application	Temporary system
Type	Double
Construction width (m)	0,3
Construction height (m)	0,90
Beam shape	-
Post shape	-
Post distance (m)	-
Post length (m)	-
Loading capacity (m)	-



VARIO-GUARD MUF

Steel road guardrail

H2 W5 B



Performances

Containment level	H2
Normalized working width (m)	1,60
Class of normalized working width	W5
Acceleration Severity Index (ASI)	B
Normalized dynamic deflection (m)	1,20
Vehicle Intrusion (VI)	-
THIV (Km/h)	-
Tested length (m)	36,00
CE certificate number	0531-CPR-1317-0005

Geometrical characteristics

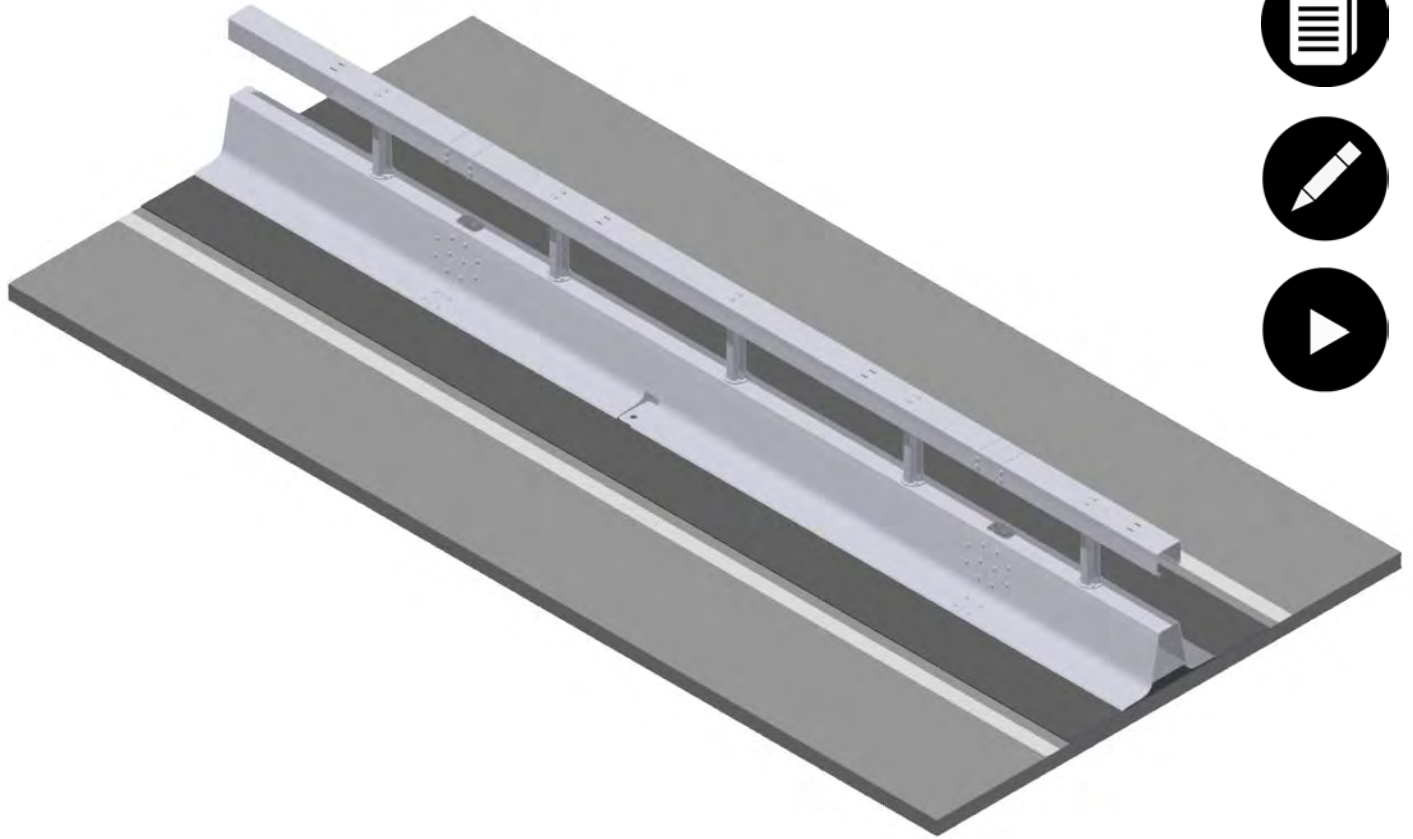
Application	Opening system
Type	Double
Construction width (m)	0,702
Construction height (m)	0,90
Beam shape	-
Post shape	-
Post distance (m)	-
Post length (m)	-
Loading capacity (m)	112,00



VARIO-GUARD QC

Steel road guardrail

N2 W6 B



Performances

Containment level	N2
Normalized working width (m)	1,80
Class of normalized working width	W6
Acceleration Severity Index (ASI)	B
Normalized dynamic deflection (m)	1,30
Vehicle Intrusion (VI)	-
THIV (Km/h)	19,44
Tested length (m)	56,00
CE certificate number	2131-CPR-900

Geometrical characteristics

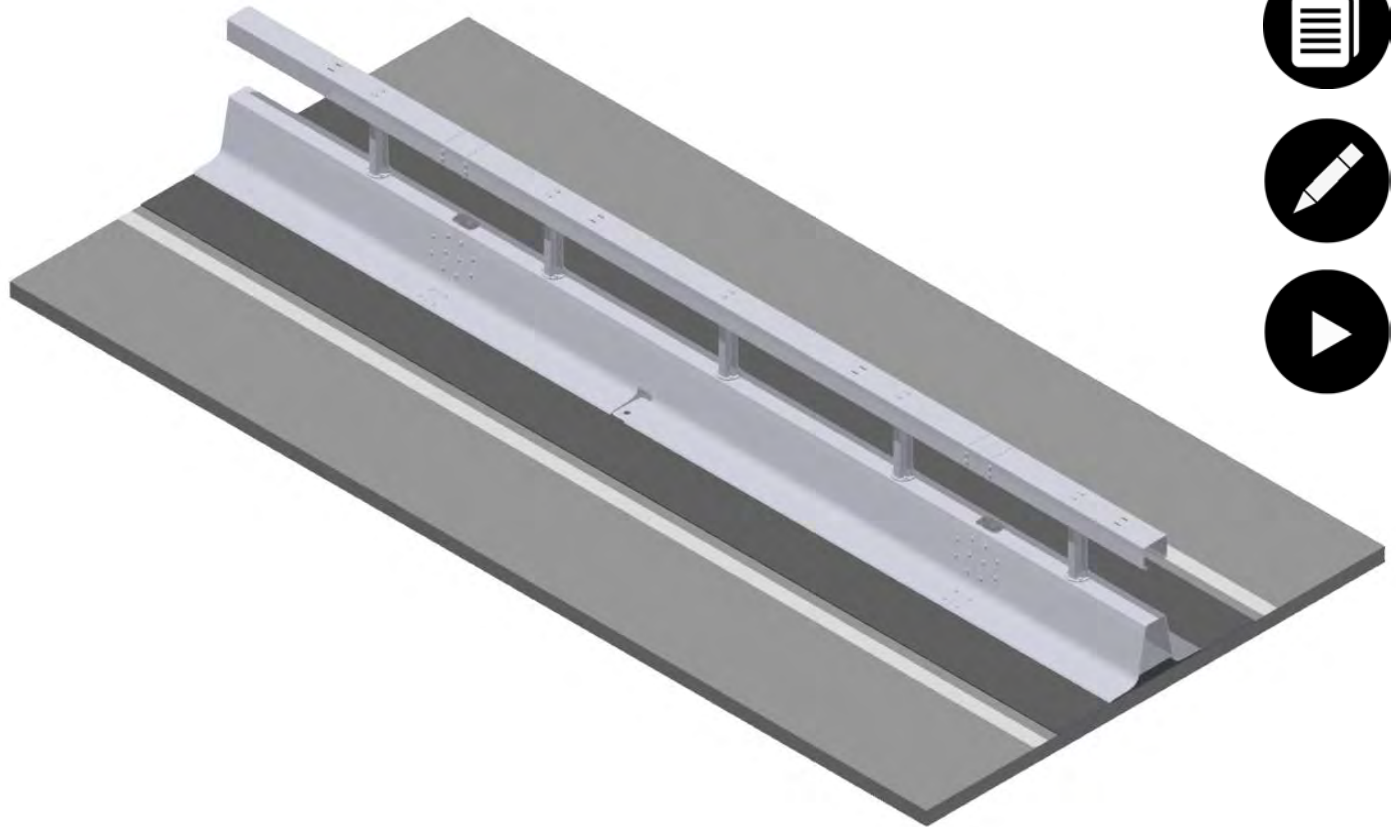
Application	Temporary system
Type	Double
Construction width (m)	0,7
Construction height (m)	0,90
Beam shape	-
Post shape	-
Post distance (m)	-
Post length (m)	-
Loading capacity (m)	112,00



VARIO-GUARD QC

Steel road guardrail

H2 W8 B



Performances

Containment level	H2
Normalized working width (m)	3,00
Class of normalized working width	W8
Acceleration Severity Index (ASI)	B
Normalized dynamic deflection (m)	2,36
Vehicle Intrusion (VI)	2,8
THIV (Km/h)	19,44
Tested length (m)	60,00
CE certificate number	2131-CPR-900

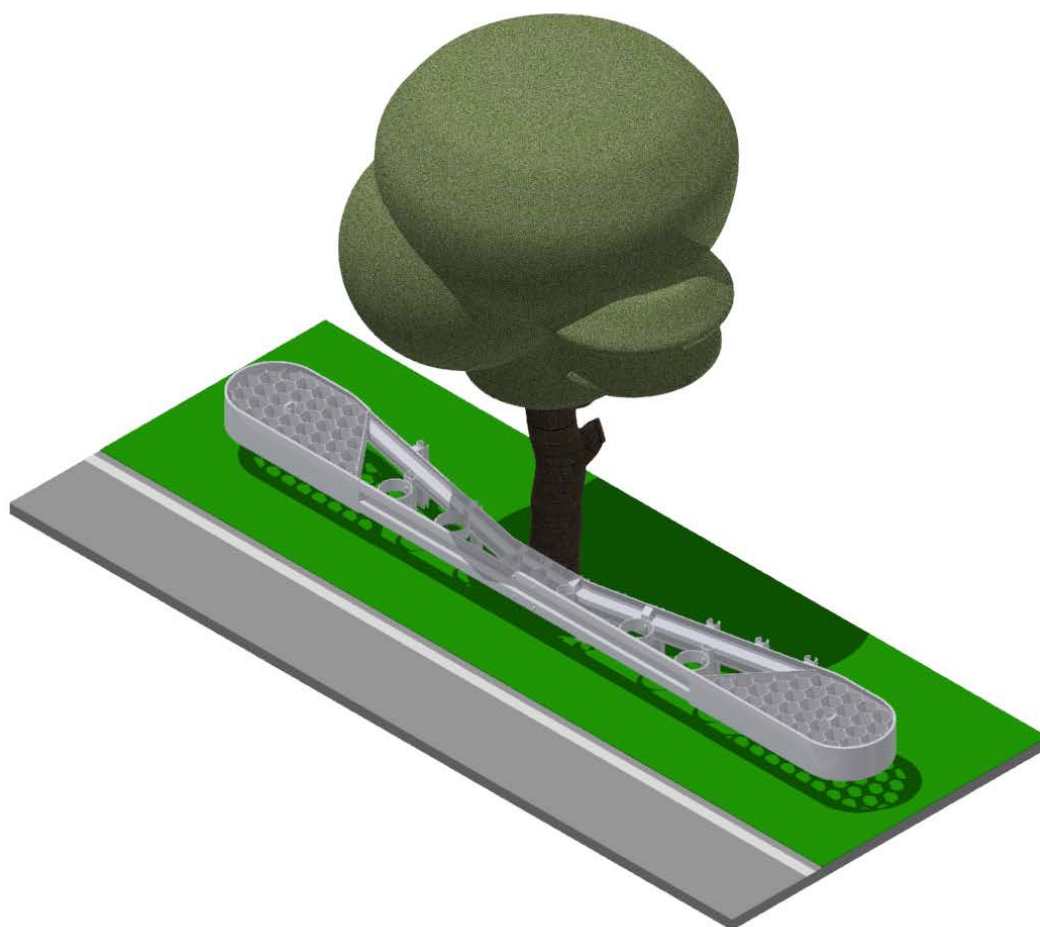
Geometrical characteristics

Application	Temporary system
Type	Double
Construction width (m)	0,7
Construction height (m)	0,90
Beam shape	-
Post shape	-
Post distance (m)	-
Post length (m)	-
Loading capacity (m)	112,00



PROTECTOR BOS

Non-continuous barrier system N2 W5 A



Performances

Containment level	N2
Normalized working width (m)	1,6
Class of normalized working width	W5
Acceleration Severity Index (ASI)	A
Normalized dynamic deflection (m)	0,7
Vehicle Intrusion (VI)	-
THIV (Km/h)	25
Tested length (m)	7,10
CE certificate number	0531-CPR-1317-2866

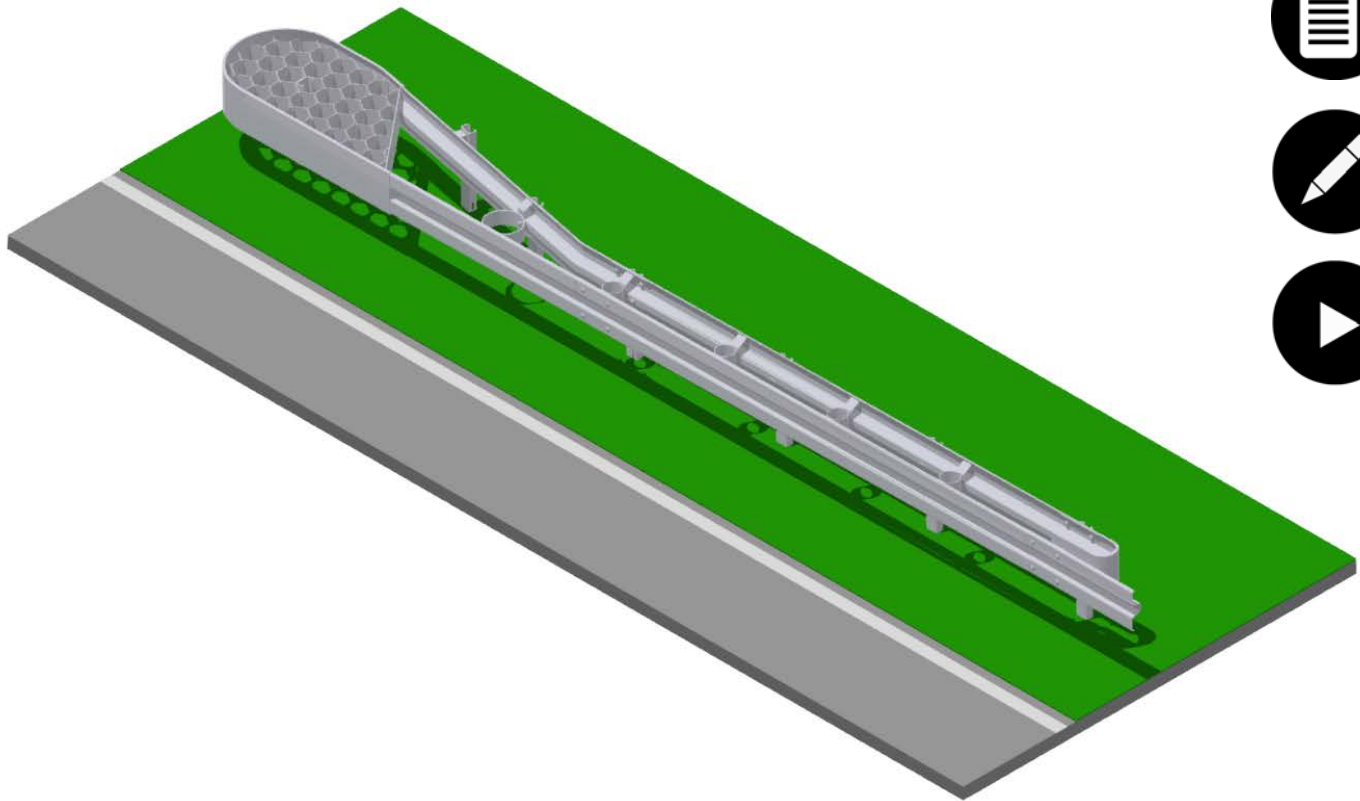
Geometrical characteristics

Application	Rammed
Type	Single
Construction width (m)	0.80
Construction height (m)	0.65
Beam shape	B
Post shape	C100
Post distance (m)	-
Post length (m)	1.7
Loading capacity (m)	-



PROTECTOR M

End Terminal P2A class



Performances

Performance class	P2A
Class of impact range	Z2
Class of permanent lateral deflection	x1/y2
Acceleration Severity Index (ASI)	A
Normalized dynamic deflection (m)	1.4
Vehicle Intrusion (VI)	-
THIV (Km/h)	38
Tested length (m)	7,95
CE certificate number	-

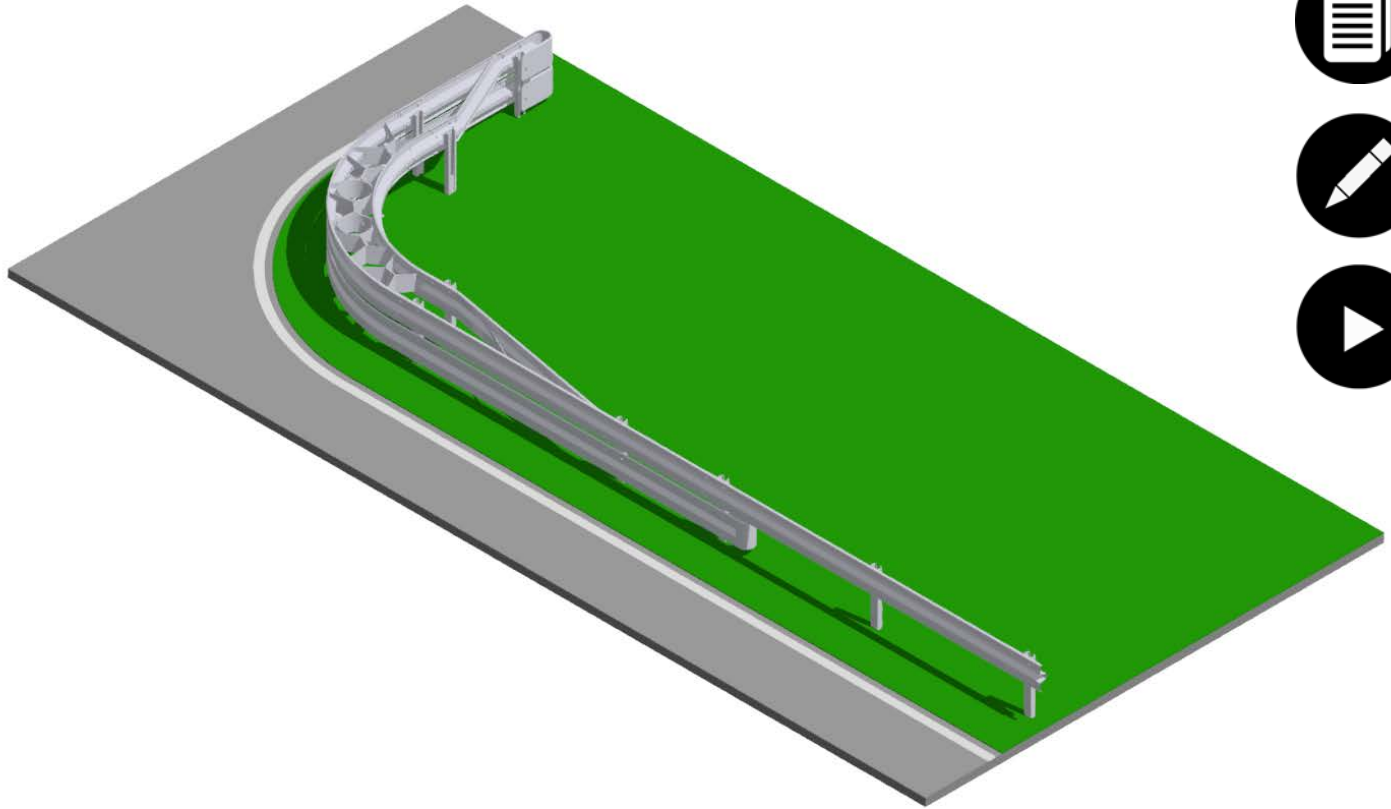
Geometrical characteristics

Application	Rammed
Type	Single
Construction width (m)	0.805
Construction height (m)	0.650 - 0.750
Beam shape	B
Post shape	C100
Post distance (m)	1.33
Post length (m)	1.7
Loading capacity (m)	-



PROTECTOR 90

Special intersection solution (EMS)



Performances

Containment level	EMS1/EMS2/EMS3
Normalized working width (m)	-
Class of normalized working width	-
Acceleration Severity Index (ASI)	B
Normalized dynamic deflection (m)	-
Vehicle Intrusion (VI)	-
THIV (Km/h)	44
Tested length (m)	20.00
CE certificate number	-

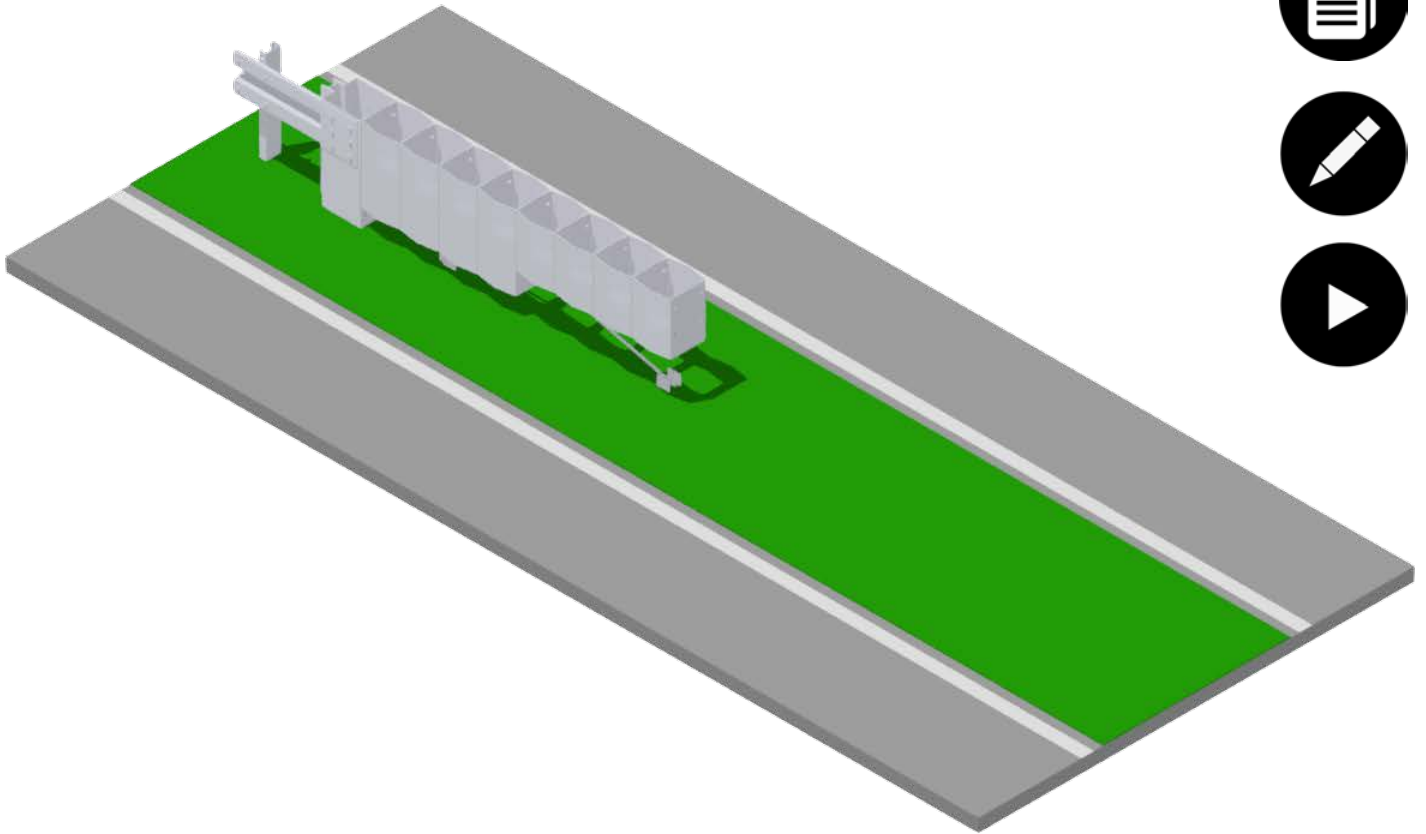
Geometrical characteristics

Application	Rammed
Type	Single
Construction width (m)	3.50 x 6.25
Construction height (m)	0.75
Construction length (m)	9.38
Post shape	C100
Post distance (m)	-
Post length (m)	1.7
Loading capacity (m)	-



OTTAVIA 80

End Terminal P2 class



Performances

Performance class	P2
Exit box class	Z2
Class of permanent lateral deflection	x1/y1
Acceleration Severity Index (ASI)	A
Normalized dynamic deflection (m)	-
Vehicle Intrusion (VI)	-
THIV (Km/h)	37.4
Tested length (m)	2,740
CE certificate number	-

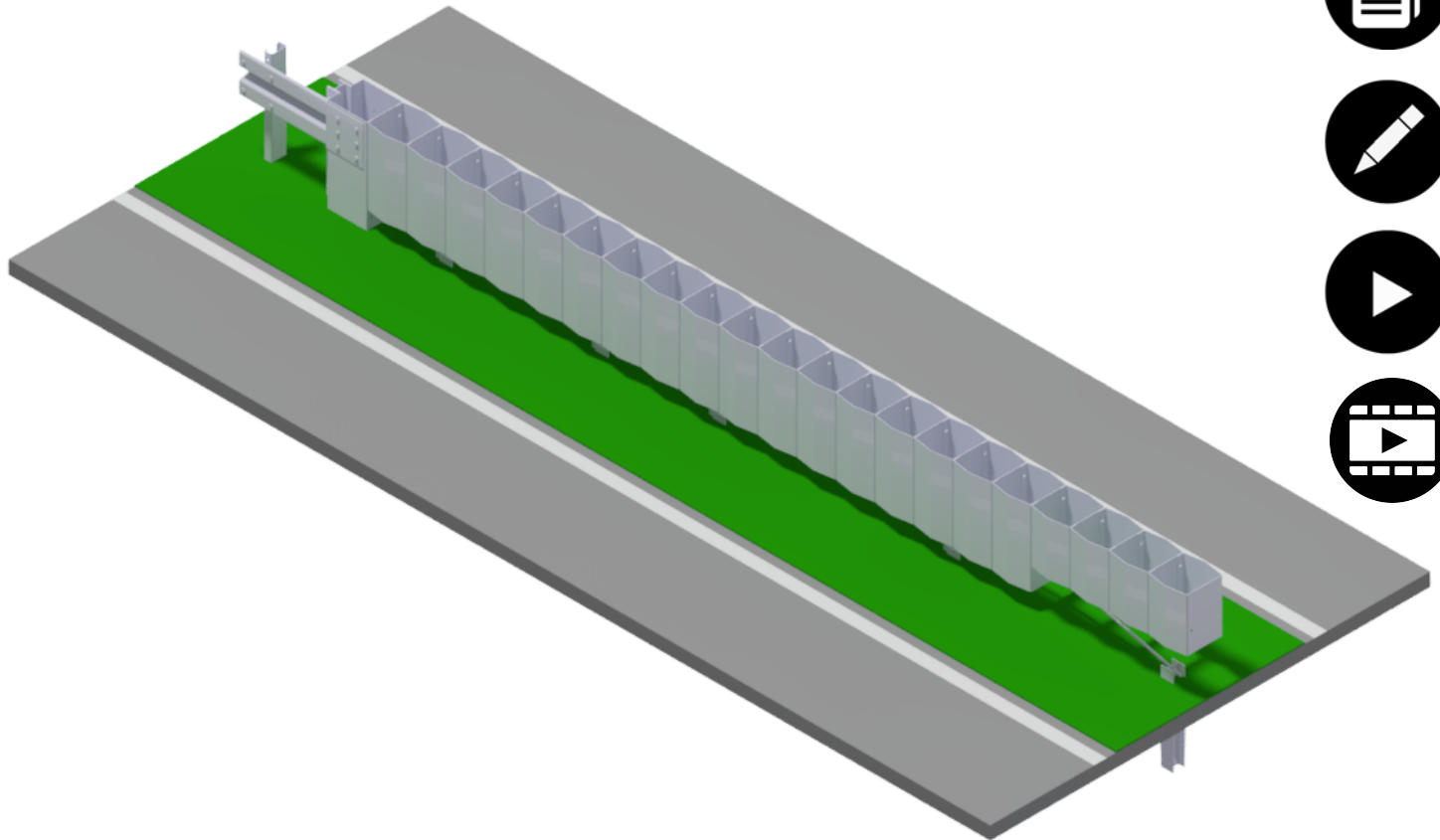
Geometrical characteristics

Application	Rammed
Type	Single / Double
Construction width (m)	0.330
Construction height (m)	0.745
Beam shape	B
Post shape	HEA100
Post distance (m)	-
Post length (m)	0.5 - 0.7
Loading capacity (pc.)	70



OTTAVIA 110

End Terminal P4 class



Performances

Performance class	P4
Exit box class	Z1
Class of permanent lateral deflection	x1/y2
Acceleration Severity Index (ASI)	B
Normalized dynamic deflection (m)	-
Vehicle Intrusion (VI)	-
THIV (Km/h)	-
Tested length (m)	6,680
CE certificate number	-

Geometrical characteristics

Application	Rammed
Type	Single / Double
Construction width (m)	0.330
Construction height (m)	0.745
Beam shape	B
Post shape	HEA100
Post distance (m)	-
Post length (m)	0.5 - 0.7
Loading capacity (pc.)	29





MEISER Straßenausstattung GmbH
Edmund Meiser Straße 3
D-66839 Schmelz-Limbach



+49 6887 / 9590 100



+49 6887 / 9590 188



strassenausstattung@meiser.de



strassenausstattung.meiser.de/en/

